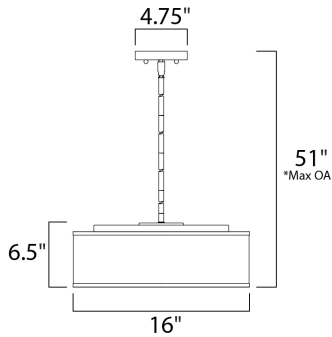




PRODUCT DESCRIPTION

This collection of LED drum fixtures feature many options of fabric shades with an internal acrylic diffuser which twist locks into place. The result is a crisp clean look without any exposed screws or knobs. Whether you are looking for residential or commercial, there is sure to be a combination for your application.



*max overall height

MEASUREMENTS

DIMENSION : 16" L x 16" W x 6.5" H
 MAX OAH : 51" OAH
 CANOPY : 4.75" W x 0.75" H x 4.75" L
 HANGING WEIGHT : 6.86 lb

LAMPING

INPUT VOLTAGE : 120V
 LUMENS : 1,365 Rated
 BULB : 3 x 6.5W LED PCB Integrated , 20W Total
 BULB INCLUDED : (Integrated)
 DIMMABLE : Electronic Low Voltage (ELV)
 CRI : 90+ CRI
 COLOR_TEMP : 3000K

FINISHES OPTION

-  Oil Rubbed Bronze
-  Satin Nickel

MATERIAL

Steel, Acrylic, Fabric

RATINGS

cETLus
 Dry Location



ADDITIONAL

ADJUSTABLE
 SLOPE: 120
 RATED LIFE 35000 Hours
 OPERATING TEMPERATURE:
 -20°C (-4°F), 40°C (104°F)

Always consult a qualified electrician before installing any lighting product.



WESTERN DISTRIBUTION CENTER (HEADQUARTER)
 253 NORTH VINELAND AVE | CITY OF INDUSTRY, CA 91746
EASTERN DISTRIBUTION CENTER
 4200 SHIRLEY DR. | ATLANTA, GA 30336
 P. 626.956.4200 | F. 626.956.4225 | maximlighting.com