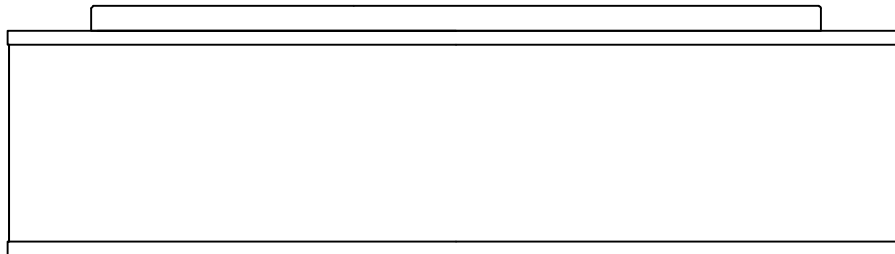




PRODUCT NAME: Prime 20"W LED Flushmount
ITEM NUMBER: 10232

Please consult your electrician for hanging fixture and wiring.



WARNING: The fixture is designed to dim with a standard Triac forward phase dimmer. Dimming levels will vary by dimmer.

Below is a list of recommended dimmers:

Lutron MACL-153M

Lutron DVL-153P

Lutron SCL-153P

Leviton IPL06-10Z

Leviton 6674-POW

Due to inrush current wattage should not exceed 150 watts of product for a 600 watt dimmer.

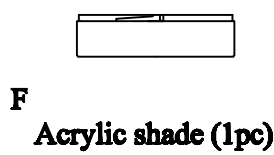
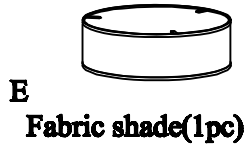
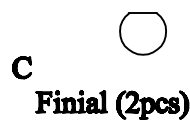
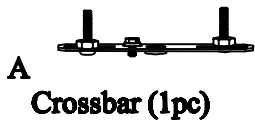
WARNING: Wires need to be connected to driver found in canopy and should not be connected directly to power source or a short may occur.

Bulb(Included): 120-277V 28W Dimmable at 120V

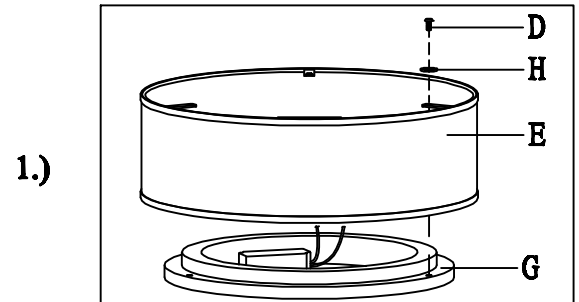
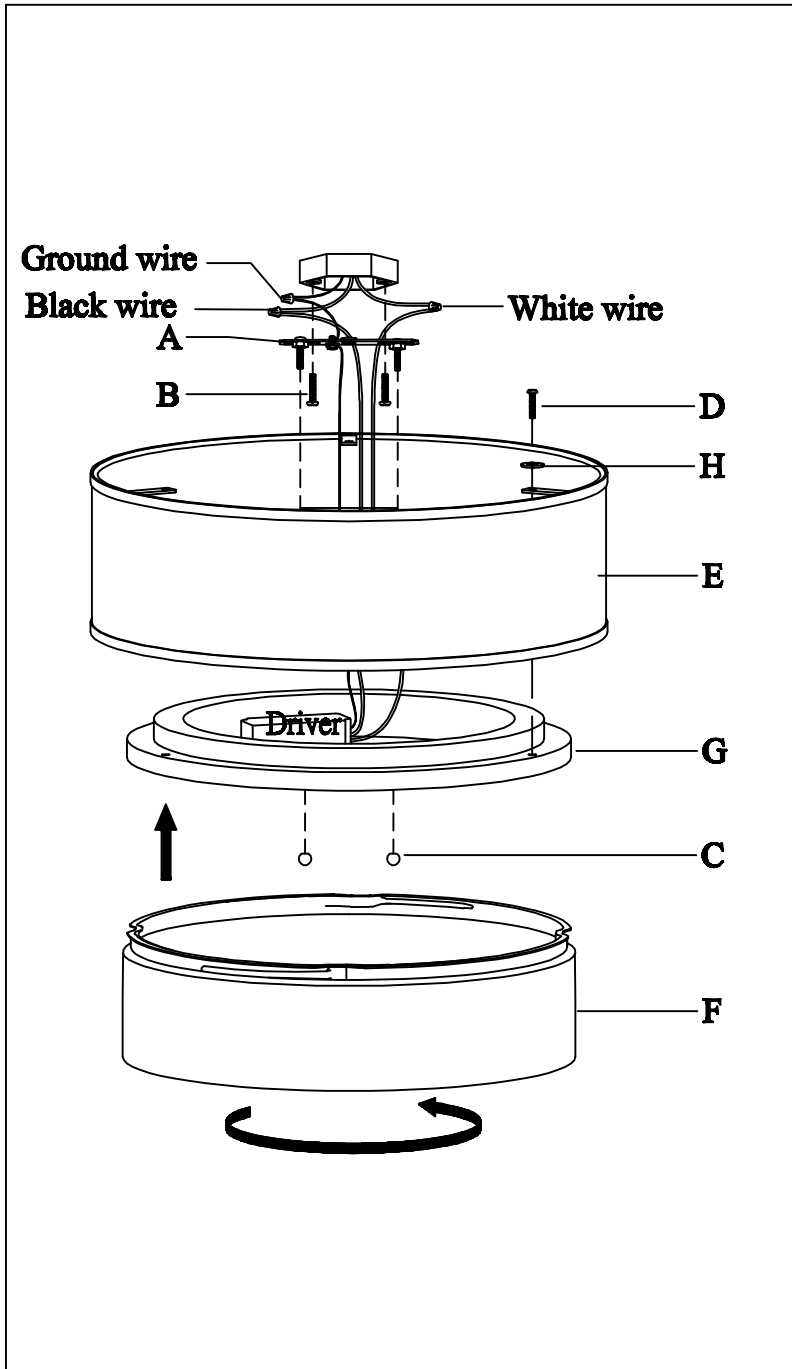
MADE IN CHINA

Page 1 of (2)

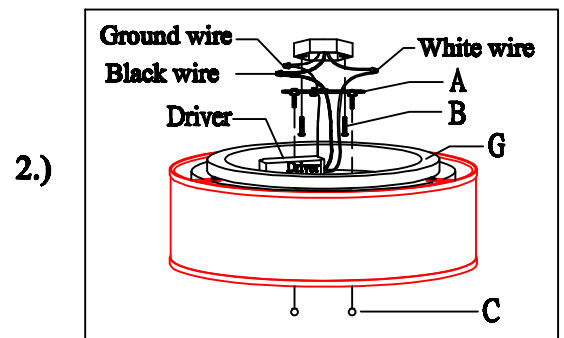
IMPORTANT: Turn off the power at the main fuse or circuit breaker box before starting installation



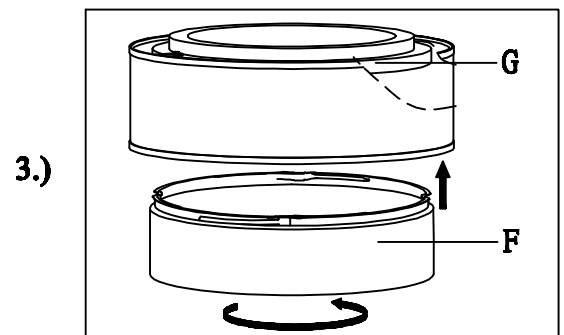
Locate all hardware & components before discarding packaging



Step.1: Put the Fabric shade(E) onto the Ceiling pan (G), then secured by metal washer(H) and screw (D) till tighten one by one



Step.2: With wire connectors, connect power cords from outlet box to fixture Black to Black, White to White. With wire connectors connect Fixture Ground wire to Ground wire from outlet box, or onto Green screw on backplate. Please consult a qualify Electrician if you are not familiar with electrical wiring.



Step.3: Turn clockwise to secure the Acrylic Diffuser (D) in place.

Cleaning & Care:

Clean with soft cloth and a mild detergent.
Do not use abrasive cleaner.