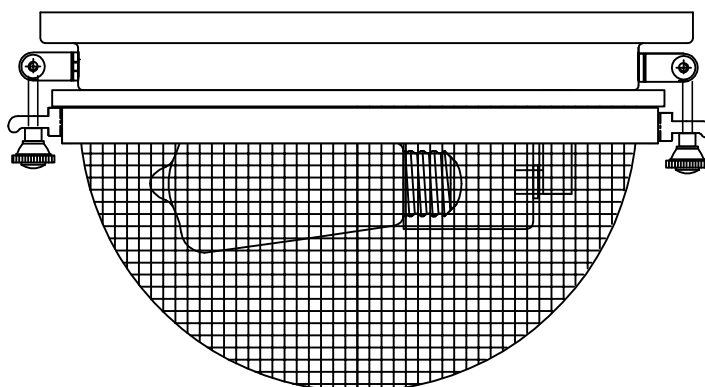




PRODUCT NAME: Portside 1LT ceiling
NUMBER: 101800IAB

Please consult your electrician for Hang fixture and wiring.



Bulb(not included):1*MB 60W

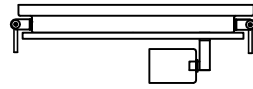
IMPORTANT: Turn off power at the main fuse or circuit breaker box before starting installation



(A) Bracket

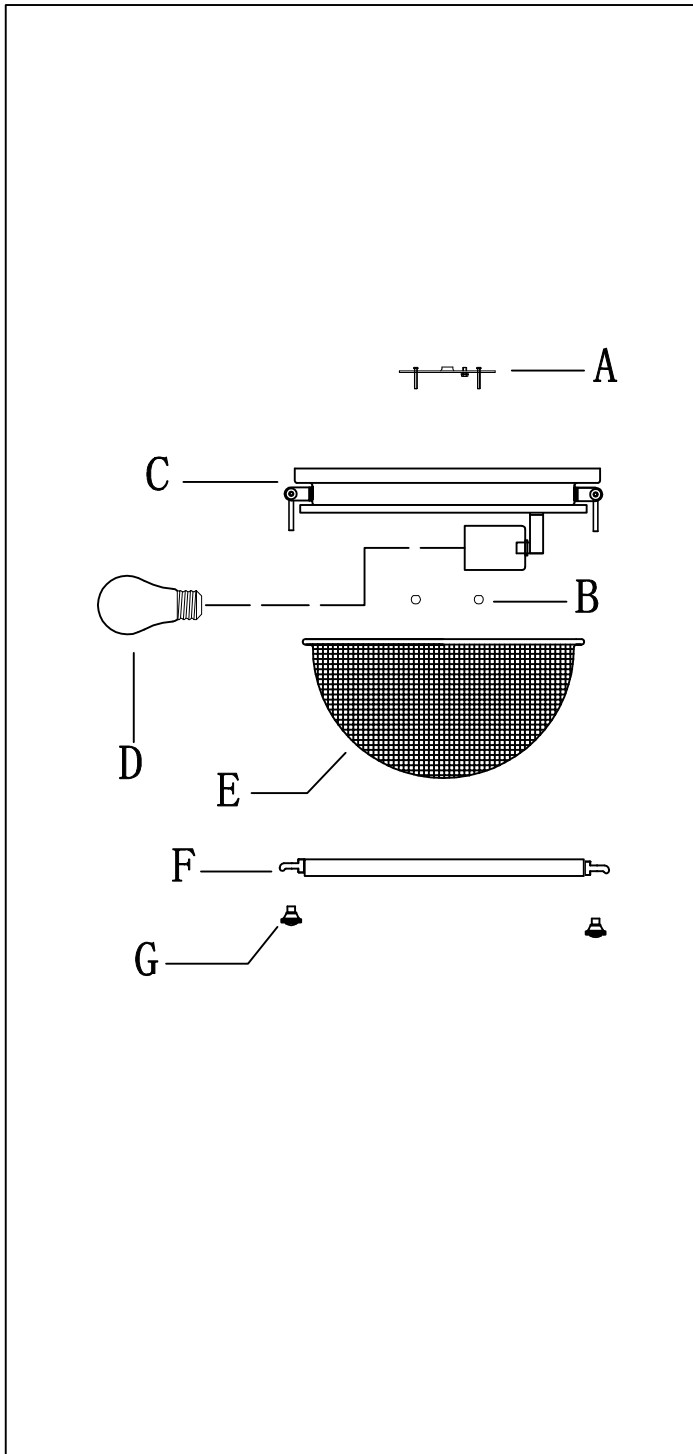


(B) Ball nut

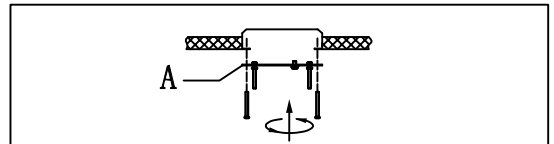


(C) Body

Locate all hardware & components before discarding packaging

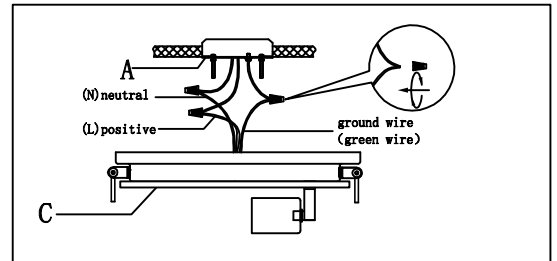


1.)



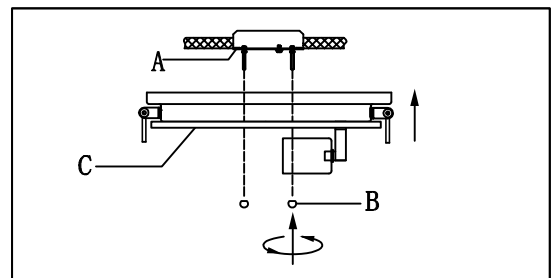
Step. 1: Remove mounting bracket (A) from fixture and install to electrical box.

2.)



Step. 2: Wire fixture to wires in outlet box. Copper/Green wire is for Ground.

5.)

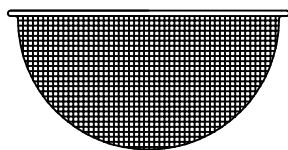


Step. 5: Install fixture to bracket and tighten ball nuts (B) on the canopy to secure.

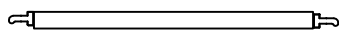
Cleaning & Care:

Clean with soft cloth and a mild detergent.
Do not use abrasive cleaner.

IMPORTANT: Turn off power at the main fuse or circuit breaker box before starting installation



(E) Glass

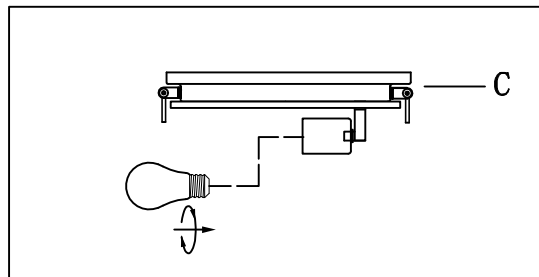
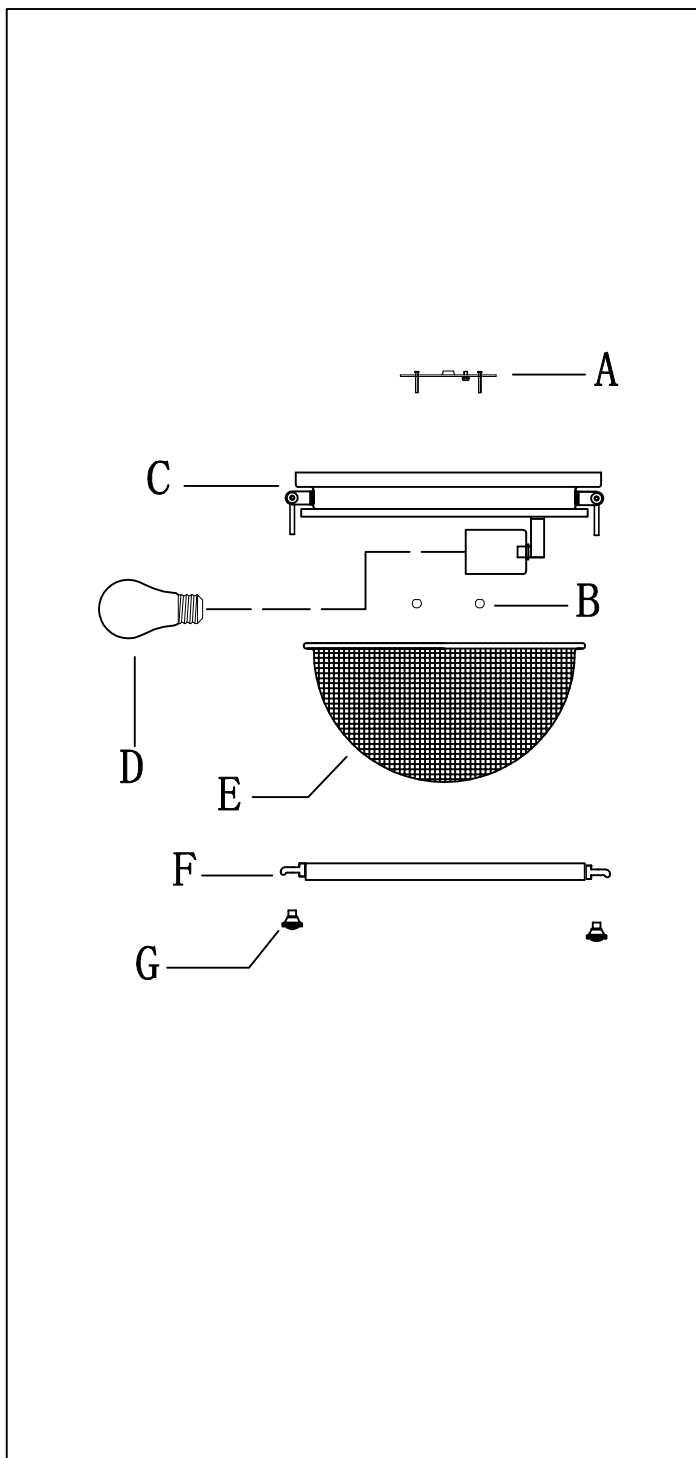


(F) Ring

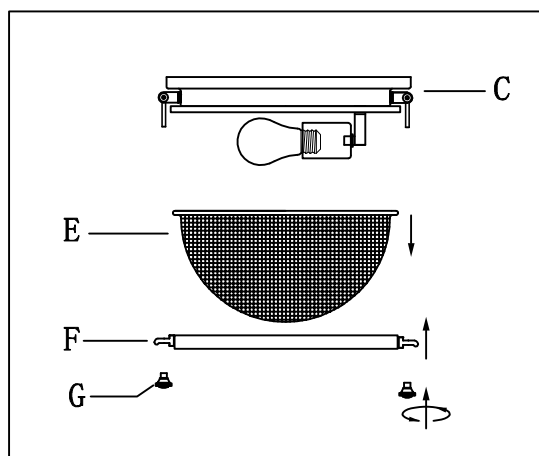


(G) nut

Locate all hardware & components before discarding packaging



Step. 5: Install the bulb.



Step. 5: Put glass (E) into ring (F), then use nut (G) lock ring and glass on body (C).

Cleaning & Care:

Clean with soft cloth and a mild detergent.
Do not use abrasive cleaner.