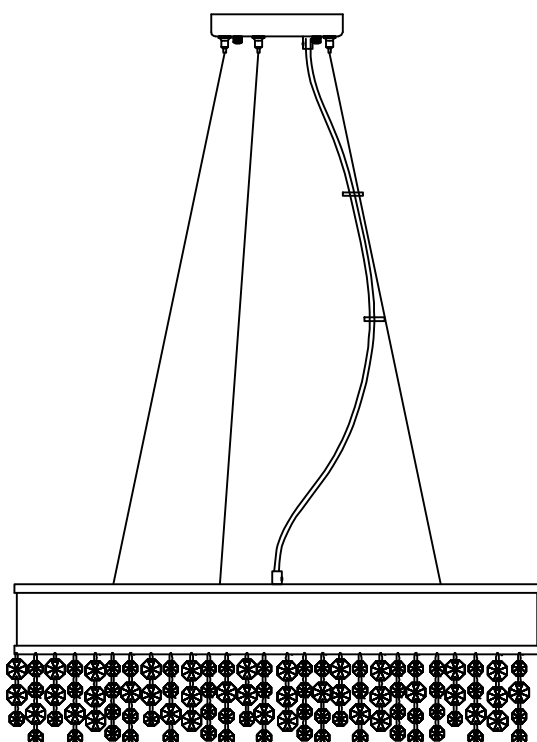




**PRODUCT NAME: Mystic**  
**ITEM NUMBER: 39655SHBZ**

**Please consult your electrician for hanging fixture and wiring.**



**Warning! This fixture is supplied with an installed LED driver. These fixtures are dimmable using standard triac dimmer. For best operation we recommend using Lutron CL Dimmers.**

**16\*2.8W LED**

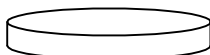
**IMPORTANT:** Turn off the power at the main fuse or circuit breaker box before starting installation



(A)  
Mounting Bracket



(B)  
Anchor Bolts



(C)  
Canopy

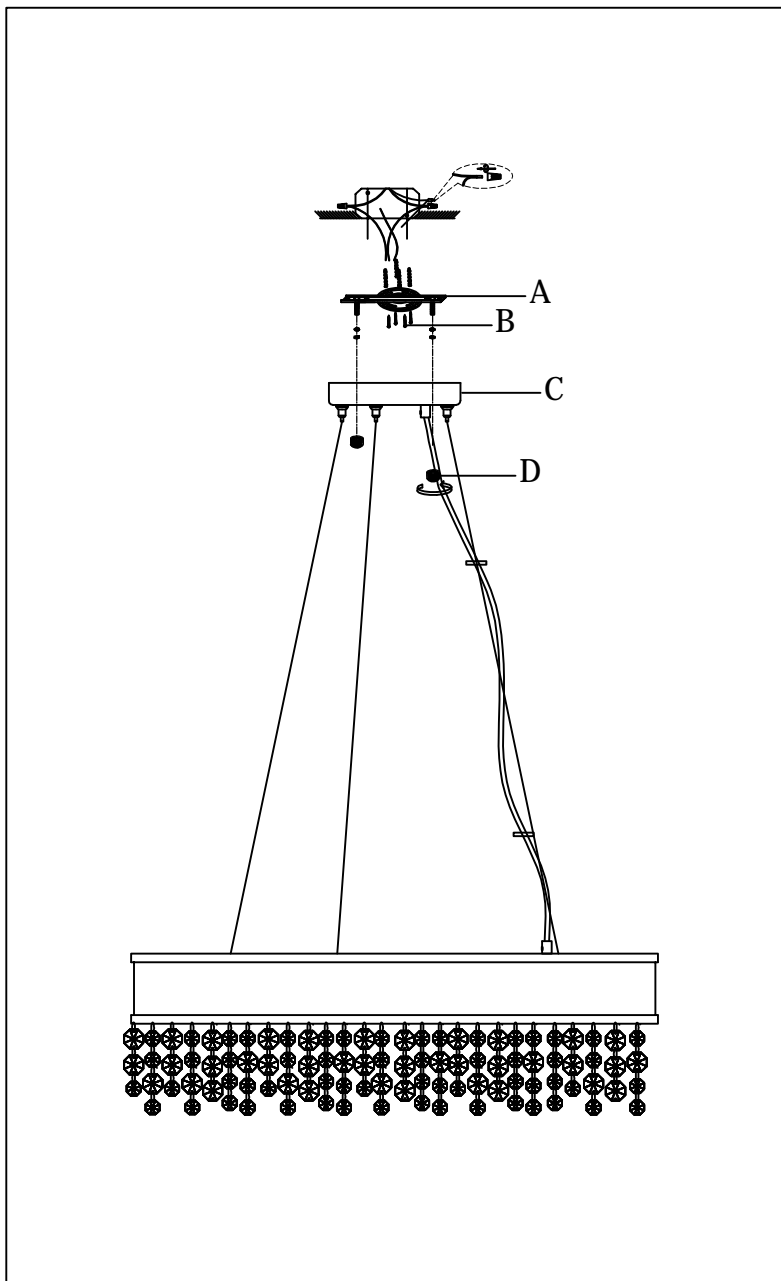


(D)  
Finial

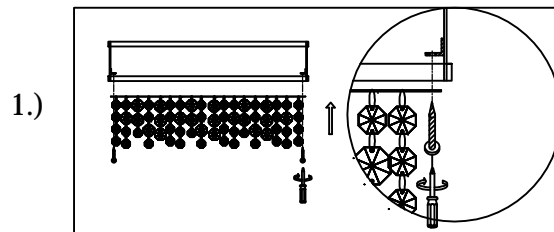


(F)  
Crystal

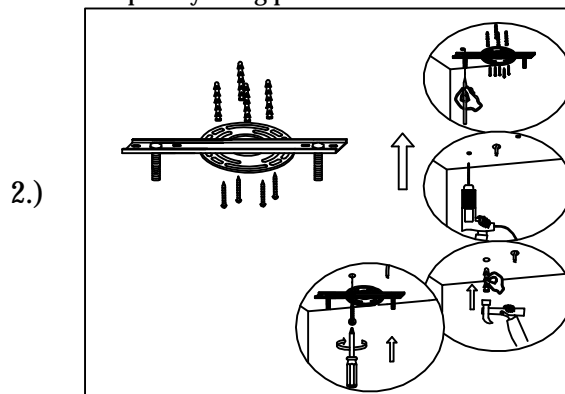
Locate all hardware & components before discarding packaging



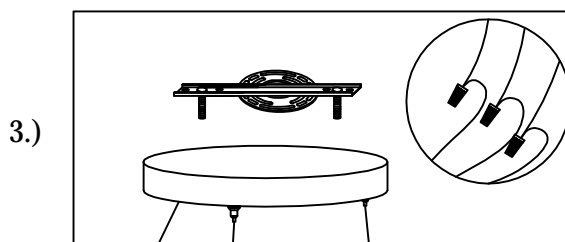
**Cleaning & Care:**  
Clean with soft cloth and a mild detergent.  
Do not use abrasive cleaner.



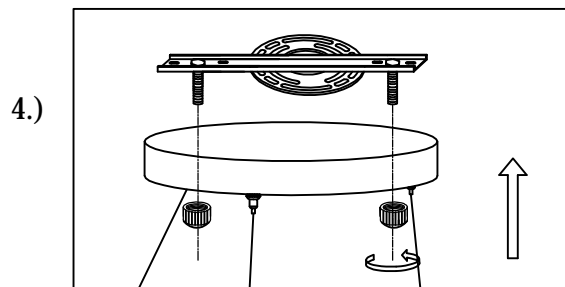
1.) Step.1: Secure the crystal strand assembly (F) to the lamp body using provided screws.



2.) Step.2: Remove mounting bracket (A) and install to electrical box. Mark where anchors meet ceiling, remove mounting bracket from ceiling, and then drill holes using  $\frac{3}{16}$ " drill bit where marked (B). Install mounting bracket and attach anchors to secure bracket at ends.



3.) Step.3: Wire fixture to wires in outlet box. Green wire is for Ground.



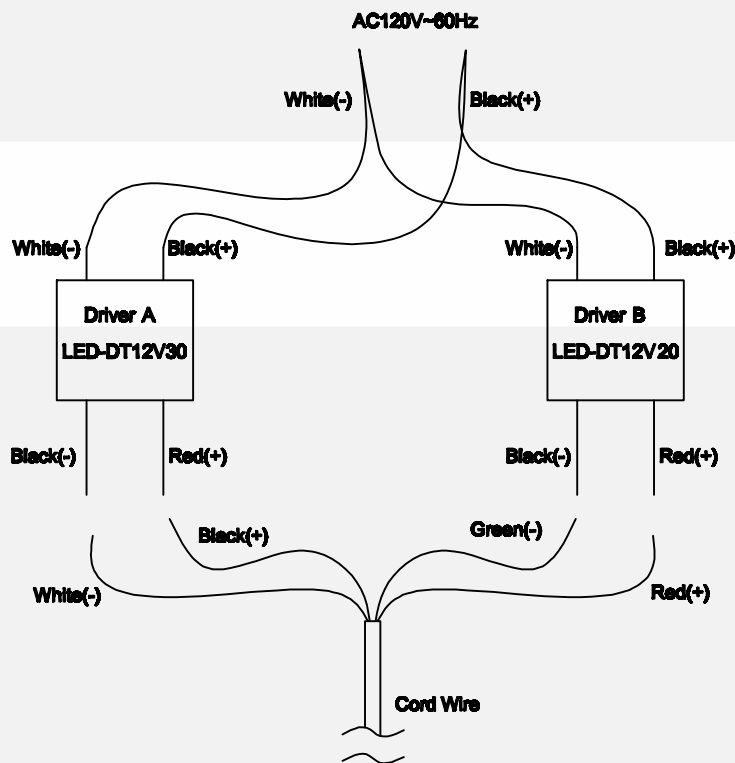
4.) Step.4: Screw finials (D) onto mounting bracket (A) until canopy is flush with ceiling. Adjust wire to desired mounting height.

# CRITICAL INSTRUCTION

Triac or ELV Dimmers

This fixture **must** be installed with compatible dimmer types only. Improper wiring of fixture and/or use of incorrect dimmers will cause **catastrophic failure** and void the warranty.

## 39655SHBZ, 39655MSKPC



### SCHEMATIC FOR GENERAL REFERENCE ONLY

Refer to dimmer manufacturer's instructions for proper installation.

#### USE ONLY

Triac or ELV dimmer  
For example, Lutron  
DVCL-150P / DVCL-153P

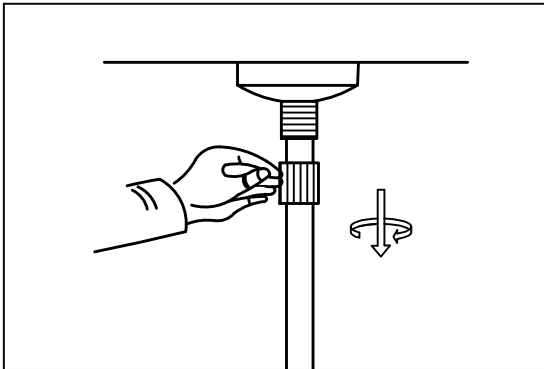
#### DO NOT USE

0-10V or magnetic  
dimmer

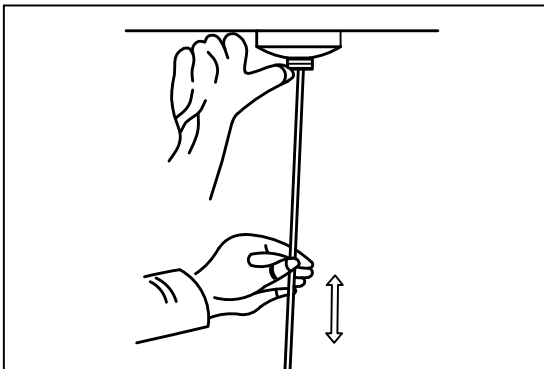
#### IMPORTANT

Make sure that your  
dimnable LED fixture is paired  
with the correct dimmer type

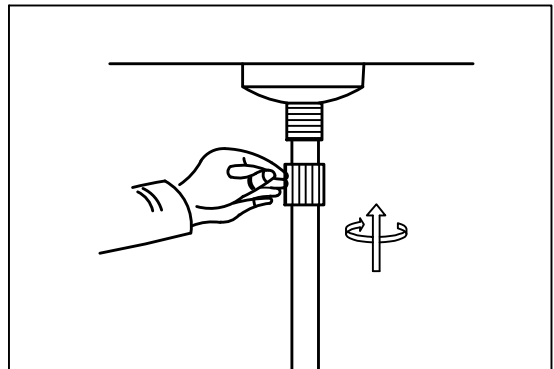
**Must be installed by a licensed electrician with  
knowledge of electronic lighting systems**



1. Loose the screw



2. Push the pin, and release the wire or the support cable to desired length.



3. Tighten the screw with the pin.