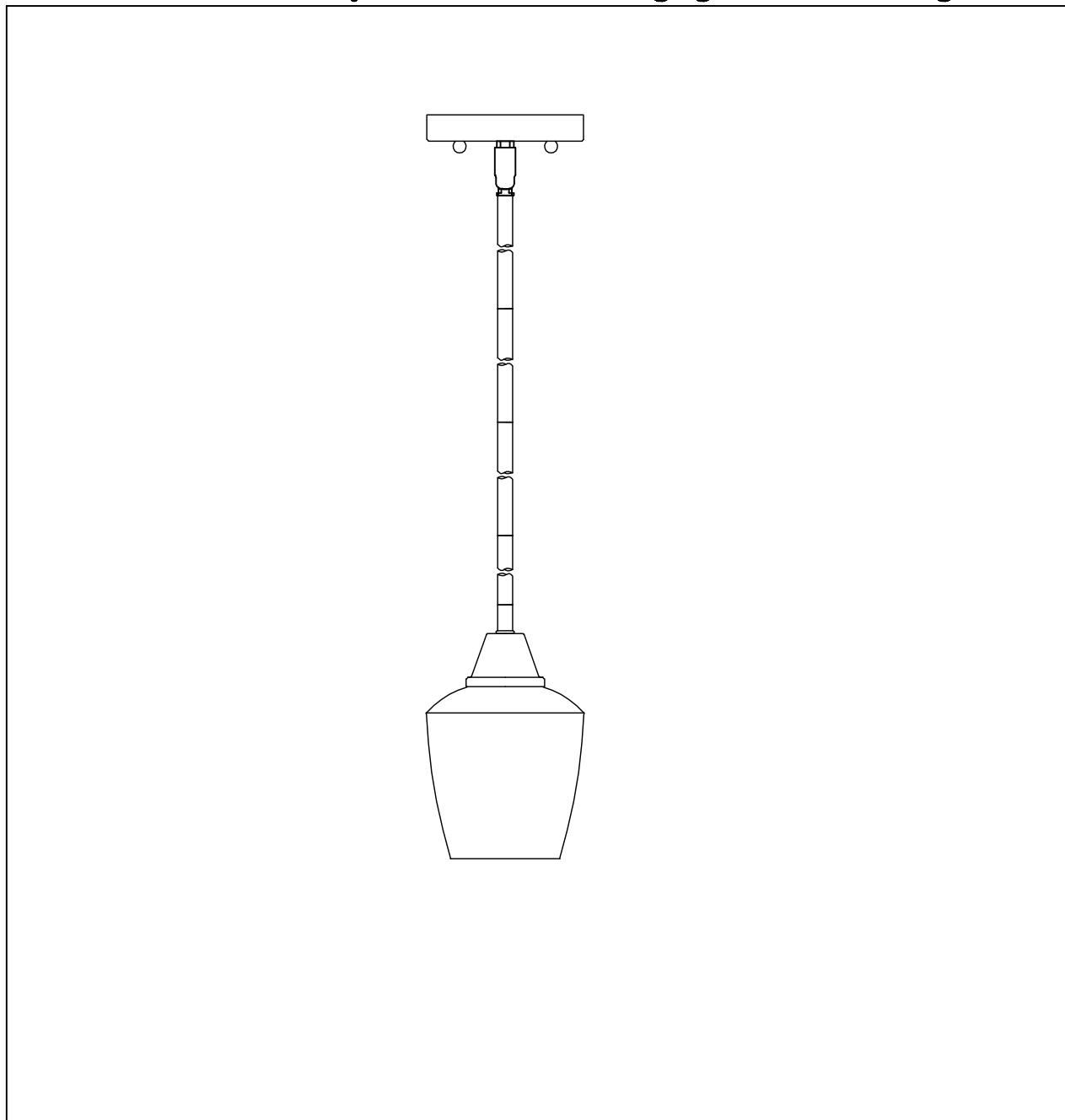




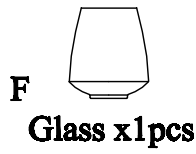
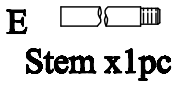
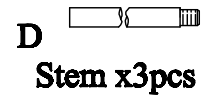
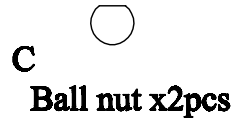
PRODUCT NAME: Goblet 1-Light Mini Pendant
ITEM NUMBER: 96120

Please consult your electrician for hanging fixture and wiring.

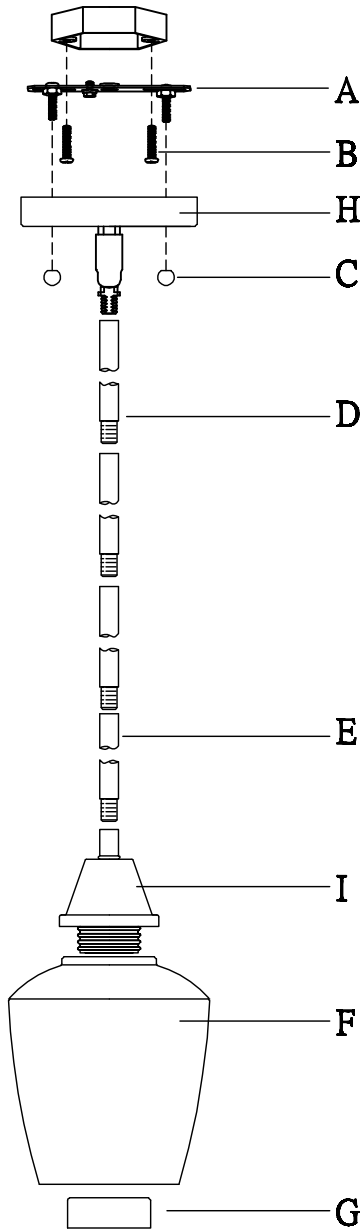


Bulb(not included):1-60 Watt MB Incandescent Base Bulbs

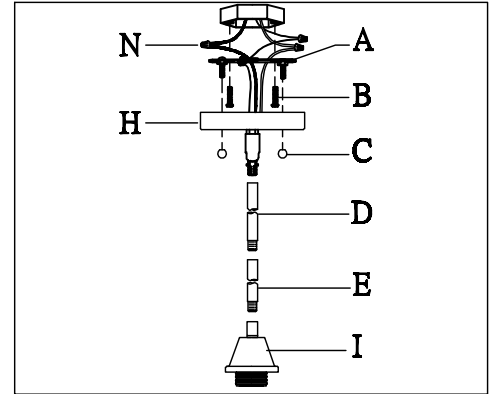
IMPORTANT: Turn off the power at the main fuse or circuit breaker box before starting installation



Locate all hardware & components before discarding packaging



1.)



Step 1: Remove mounting bracket from fixture and install to electrical box

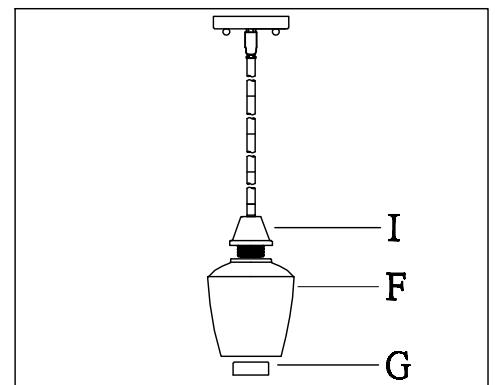
Run wire through stems and combine stem lengths to meet desired mounting height.

Wire fixture to wires in outlet box.

Green wire is for Ground.

Install fixture to bracket and tighten screws at the ends of the canopy to secure.

2.)



Step 2. Attached the glass (F) on the socket then secure by socket ring (G).

Cleaning & Care:

Clean with soft cloth and a mild detergent.
Do not use abrasive cleaner.