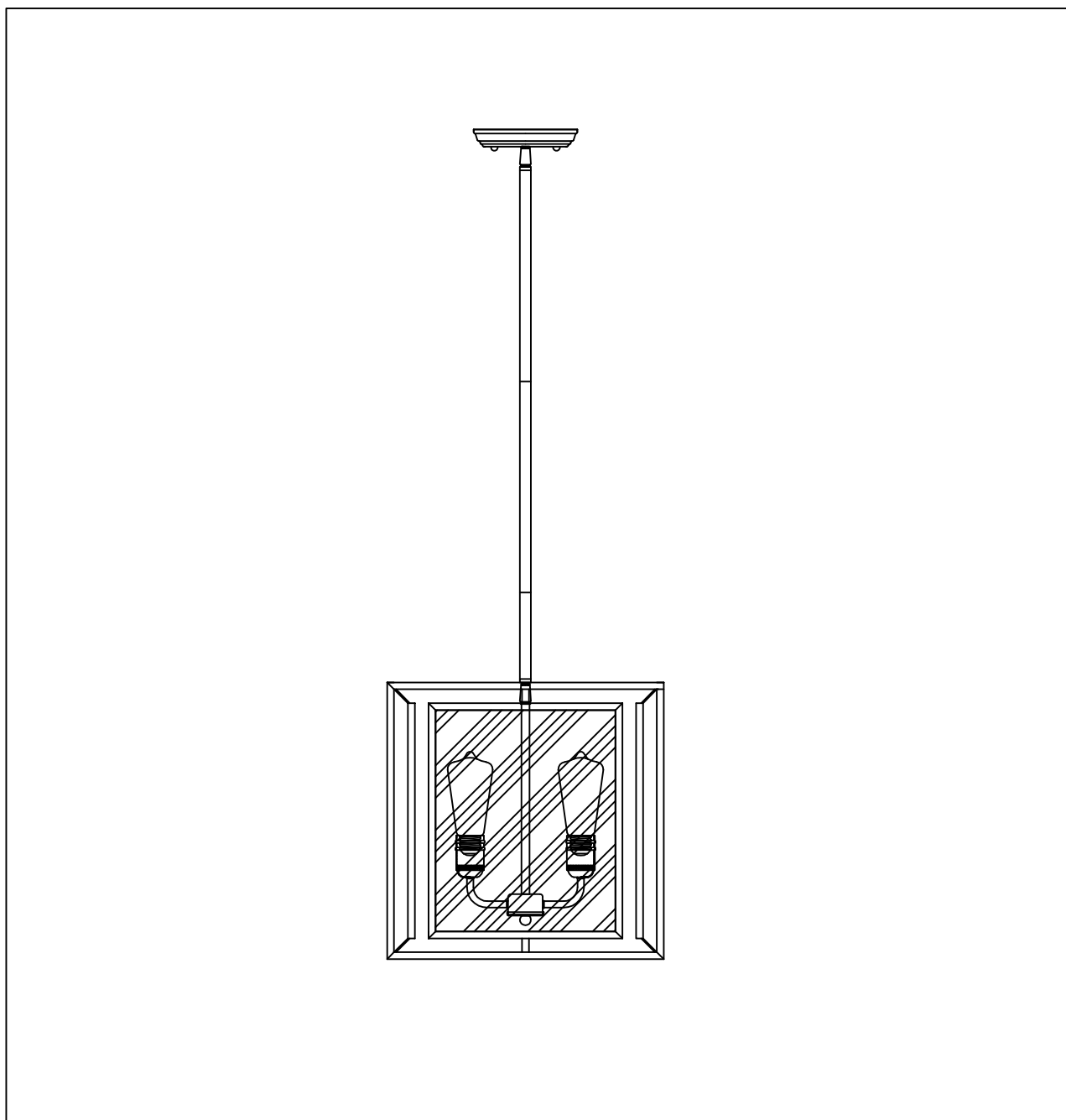




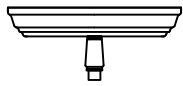
**PRODUCT NAME: ERA**  
**ITEM NUMBER: 21675**

**Please consult your electrician for hanging fixture and wiring.**



**Bulb(not included):4 Edison-style bulbs recommended**

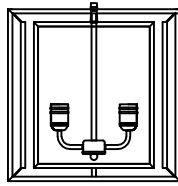
**IMPORTANT:** Turn off power at the main fuse or circuit breaker box before starting installation



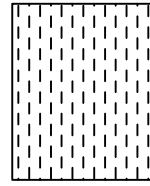
(A) Canopy



(B) Stems

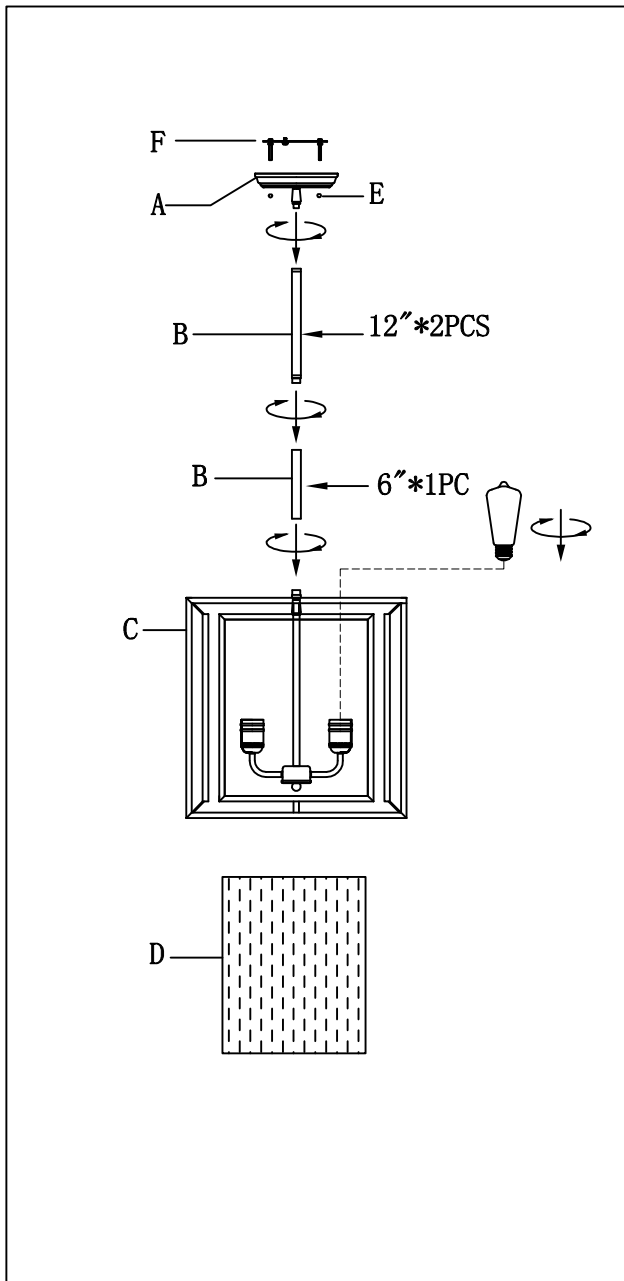


(C) Body

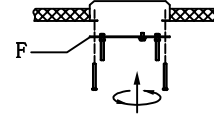


(D) Glass

### Locate all hardware & components before discarding packaging

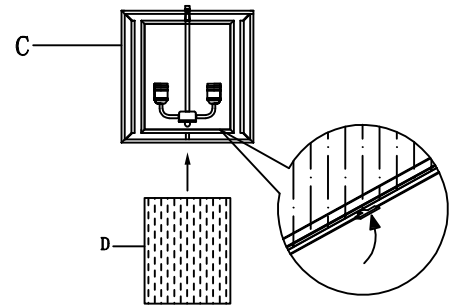


1.)



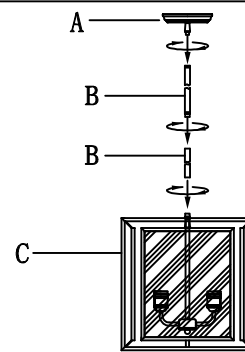
**Step. 1:** Remove mounting bracket (F) from fixture and install to electrical box.

2.)



**Step. 2:** Wearing glove, put glass (D) inside the frame and use steel clips on frame to secure the glass.

3.)



**Step. 3:** Run wire through stems (B) and combine stem lengths to meet desired mounting height.

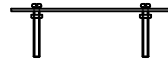
#### Cleaning & Care:

Clean with soft cloth and a mild detergent.  
Do not use abrasive cleaner.

**IMPORTANT:** Turn off power at the main fuse or circuit breaker box before starting installation

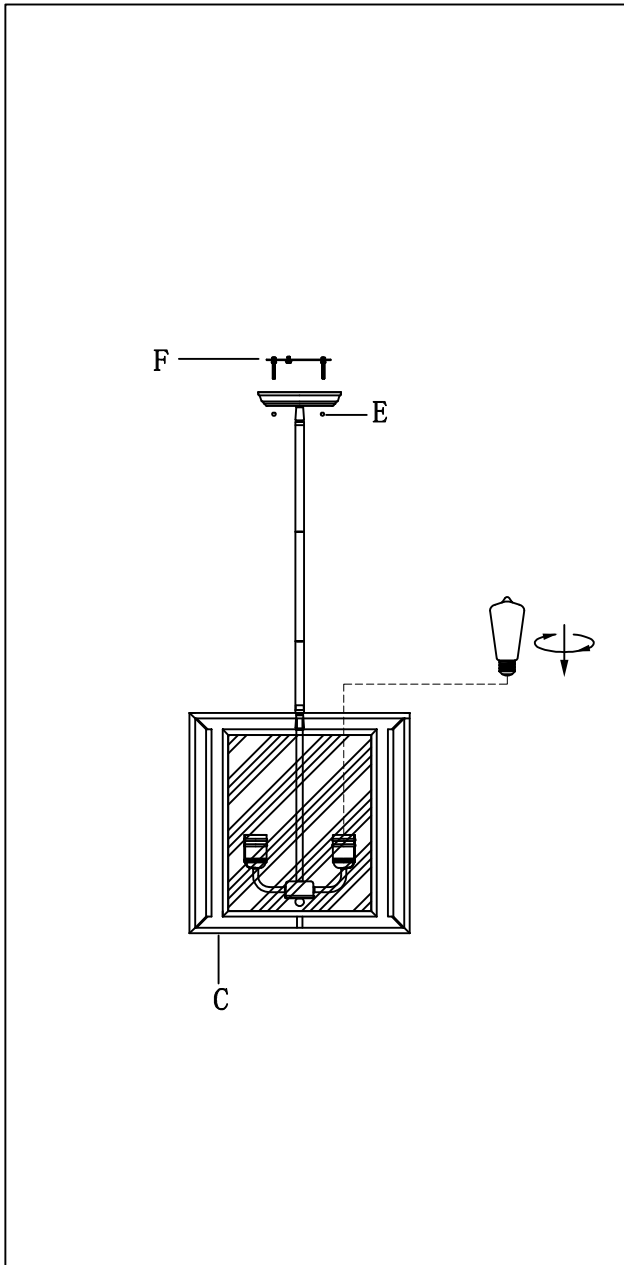


(E) Ball nut

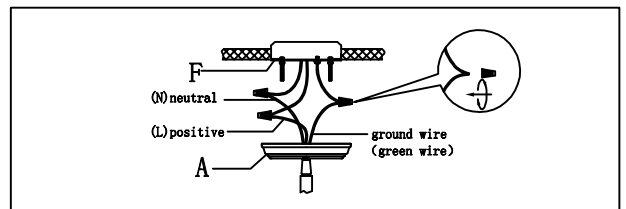


(F) Bracket

**Locate all hardware & components before discarding packaging**

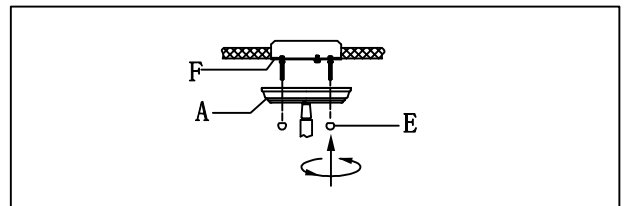


4.)



**Step. 4:** Wire fixture to wires in outlet box.  
Copper/Green wire is for Ground.

5.)



**Step. 5:** Install fixture to the mounting bracket(F)  
and tighten ball nuts (E) to secure.

**Cleaning & Care:**

Clean with soft cloth and a mild detergent.  
Do not use abrasive cleaner.