



PRODUCT NAME: Slim stick In Line Dimmer
ITEM NUMBER:89835AL

Please consult a qualified electrician for hanging fixture and wiring.

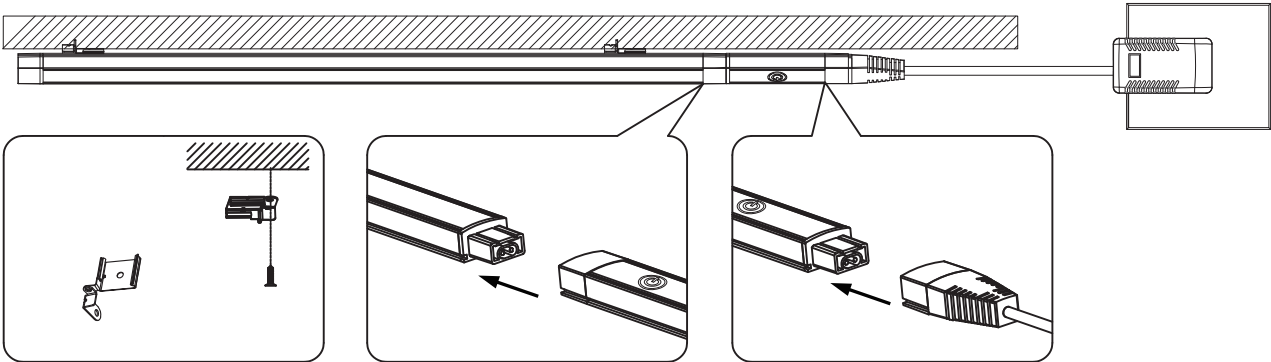
CAUTION: Before starting the installation, disconnect the power by turning off the circuit breaker or by removing the fuse at the fuse box. Carefully unpack and identify all parts before assembly

WARNING:
Warning: 24V units must be connected to remote driver purchased separately.

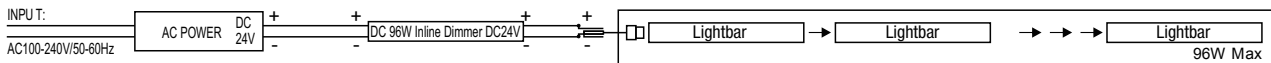
Installation Instructions

1. Mark the mounting position on the surface to align the Inline dimmer.
2. Align and secure the mounting clips to the surface.
3. Gently push the Inline dimmer into the mounting clips.
4. Connect the dimmer with LED lightbars, Be careful not to go over the wattage.
5. Check the connections and turn the power on.

LIGHTBAR SILK INSTALLATION



LIGHTBAR SILK WIRING DIAGRAM



- Please make sure that the total power of the run does not exceed the rating of the driver