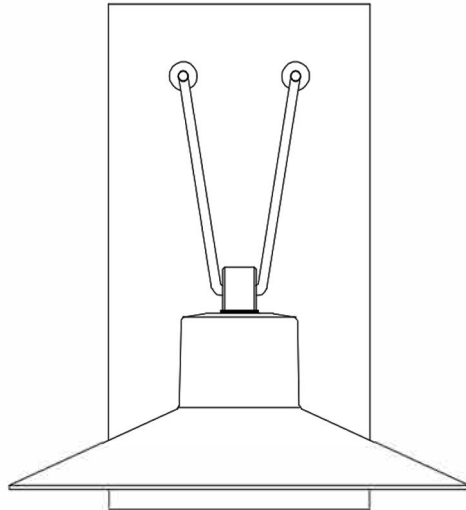




**PRODUCT NAME:** Civic Outdoor Lantern  
**ITEM NUMBERS:** 54361 / 54363 / 54365

Please consult your electrician for hanging fixture and wiring.



**WARNING:**

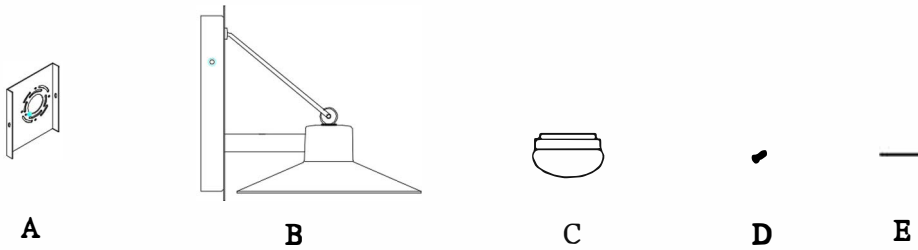
Fixture may be dimmed using an electronic low voltage dimmer.

**Bulb (included):** 6W / 11W / 11W LED

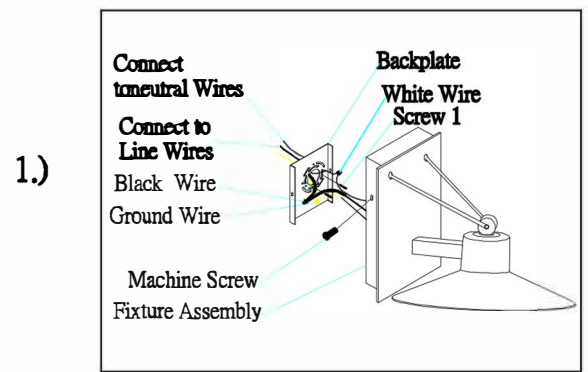
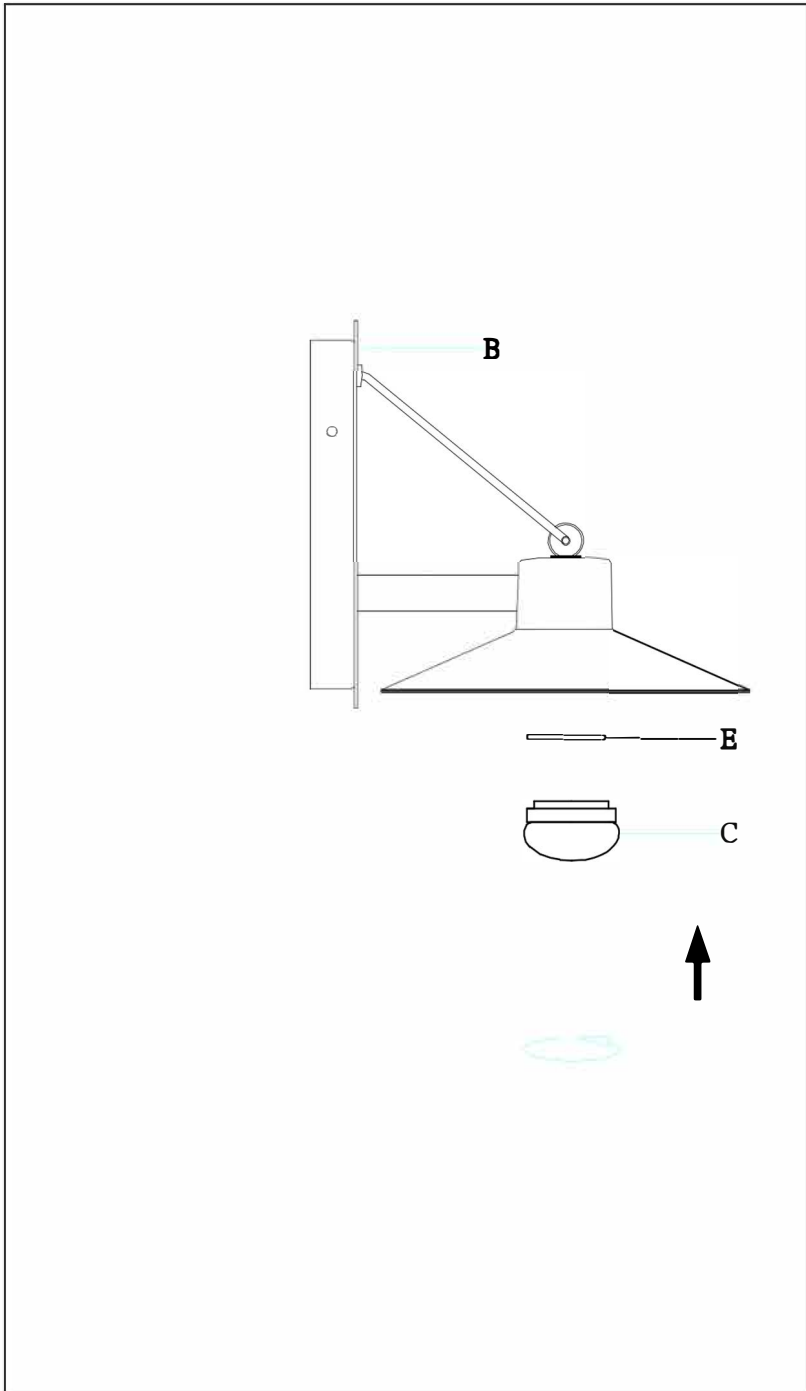
**PRODUCTS ARE NOT INTENDED  
FOR COMMERCIAL USE**

**MADE IN CHINA**  
Page 1 of(2)

**IMPORTANT:** Turn off the power at the main fuse or circuit breaker box before starting installation



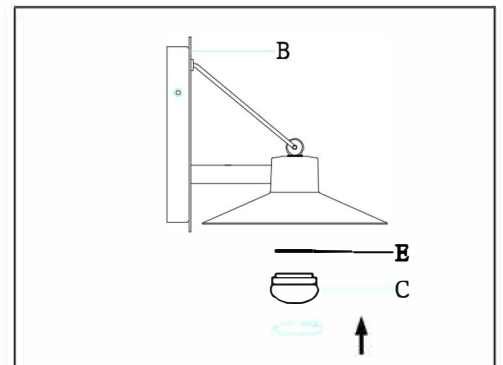
**Locate all hardware & components before discarding packaging**



1.)

**Step 1:** Remove mounting bracket from fixture and install it to the electrical box. Wire fixture to wires in outlet box. Green wire is for ground

2.)



**Step 2:** Put the rubber washer (E) on the glass and then lock until tight.

**Note:** the rubber washer (E) is packet with the canopy kit

**Cleaning & Care:**

Clean with soft cloth and a mild detergent Do not use abrasive cleaner.