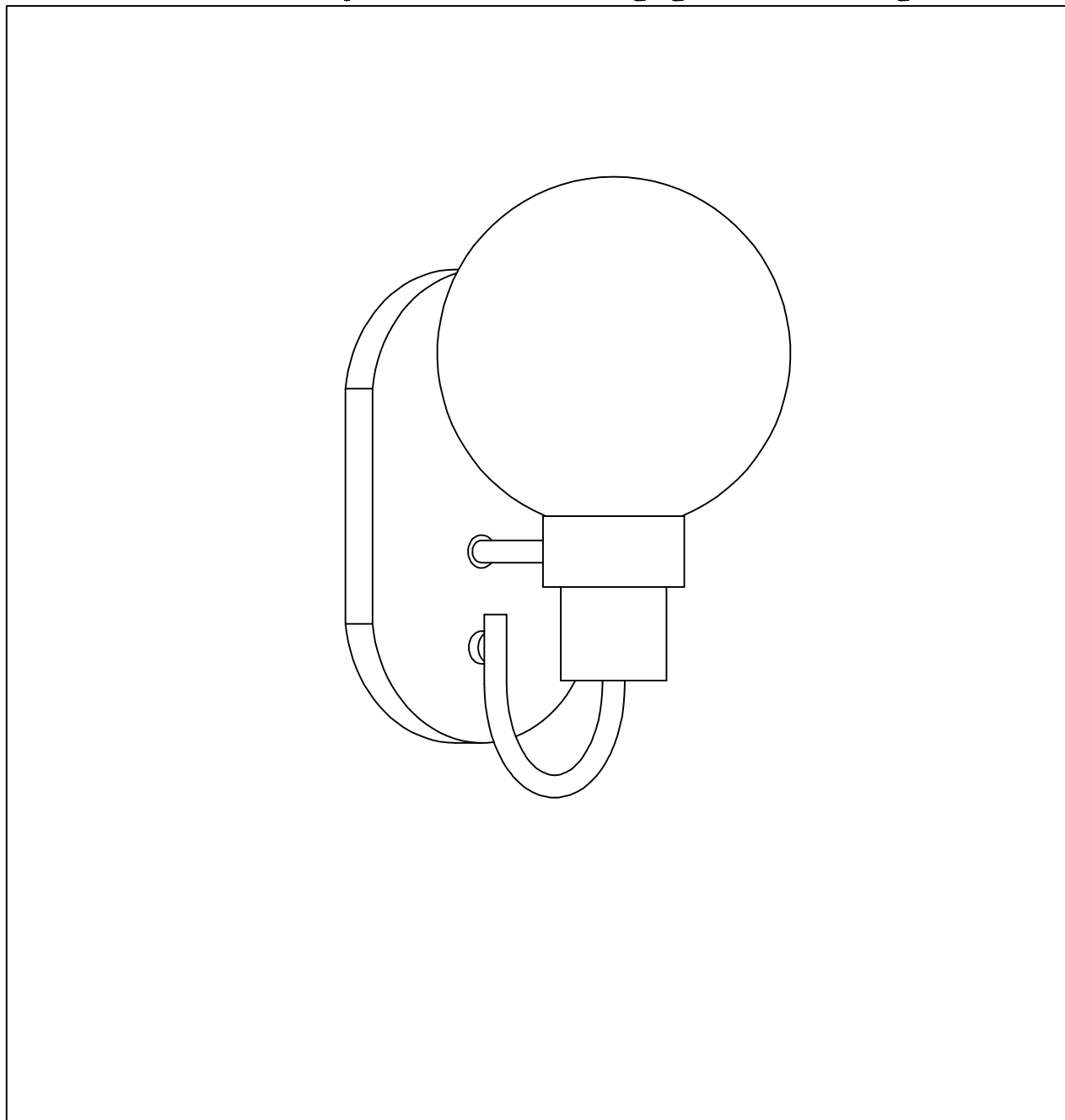




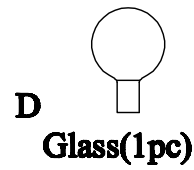
PRODUCT NAME: Bauhaus 1-Light Wall Sconce
ITEM NUMBER: 30511

Please consult your electrician for hanging fixture and wiring.

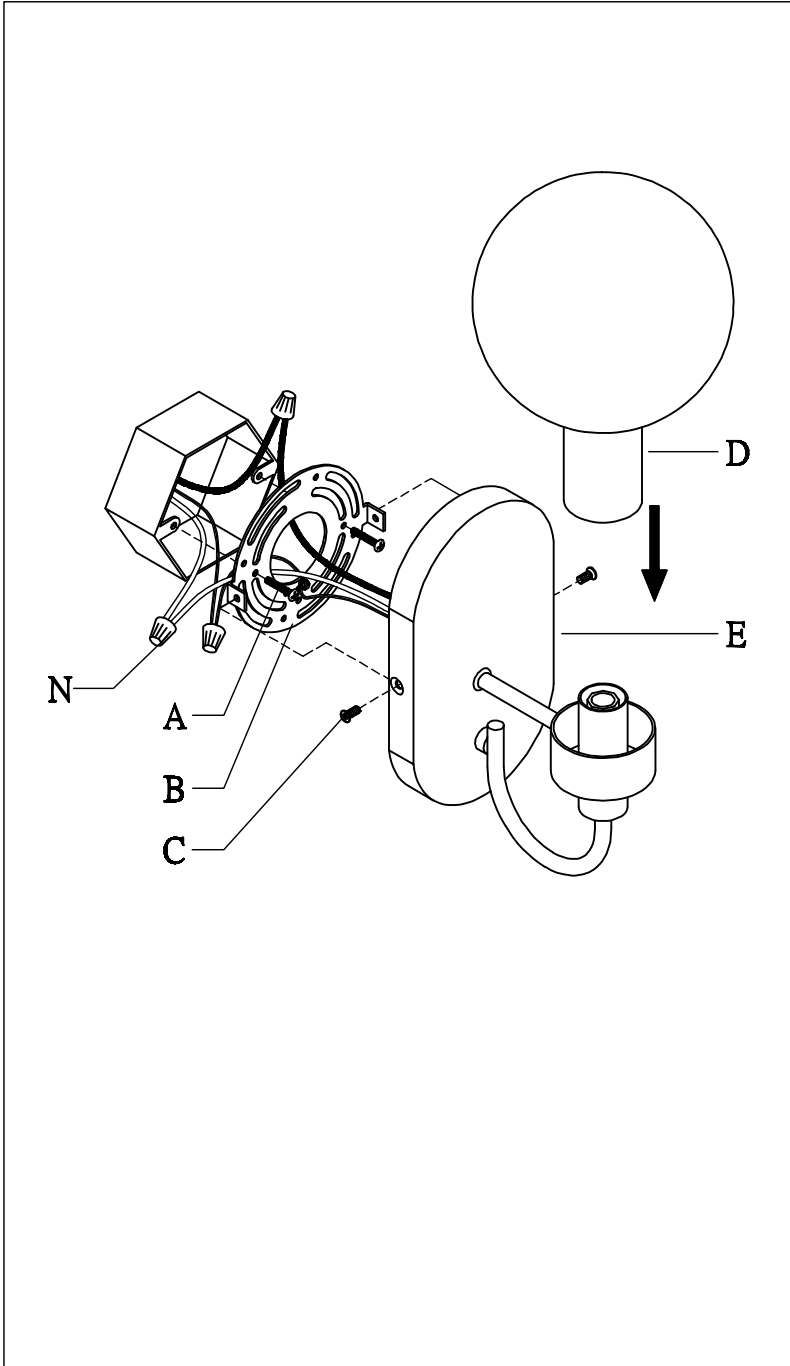


Bulb(not included): 1-60 Watt Incandescent Base Bulb

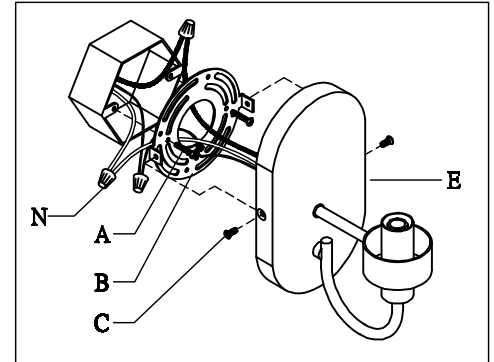
IMPORTANT: Turn off the power at the main fuse or circuit breaker box before starting installation



Locate all hardware & components before discarding packaging

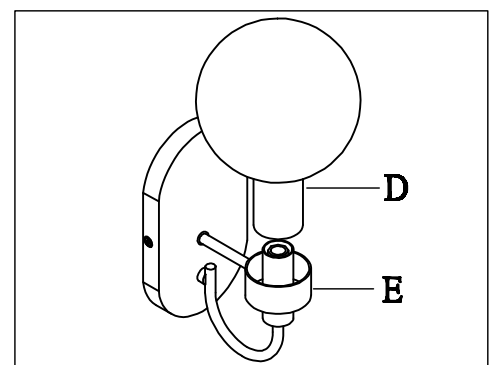


1.)



Step.1: Remove mounting bracket (A) from fixture and install to electrical box. Then wire fixture to wires in outlet box. Copper wire is for Ground. Attach backplate(E) to mounting bracket(A) and screws (B), then tighten by screw(C), so fixture meets wall.

2.)



Step.2: Put the glass(D) into socket(F)

Cleaning & Care:

Clean with soft cloth and a mild detergent. Do not use abrasive cleaner.