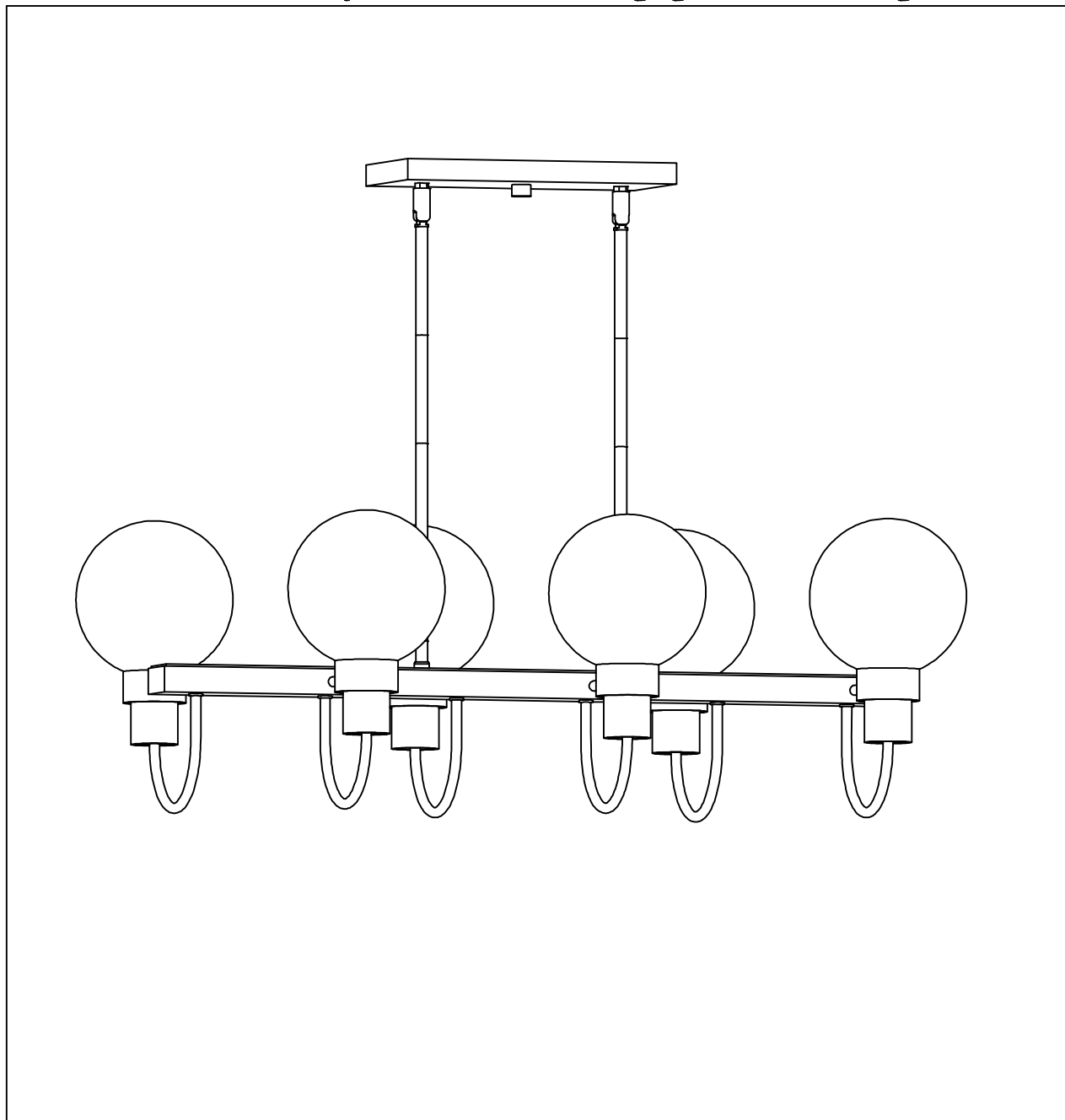






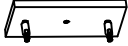


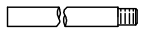
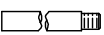
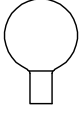
PRODUCT NAME: Bauhaus 6-Light Linear Chandelier
ITEM NUMBER: 30519

Please consult your electrician for hanging fixture and wiring.

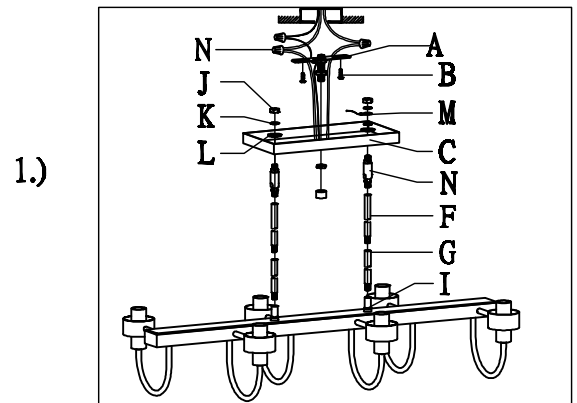
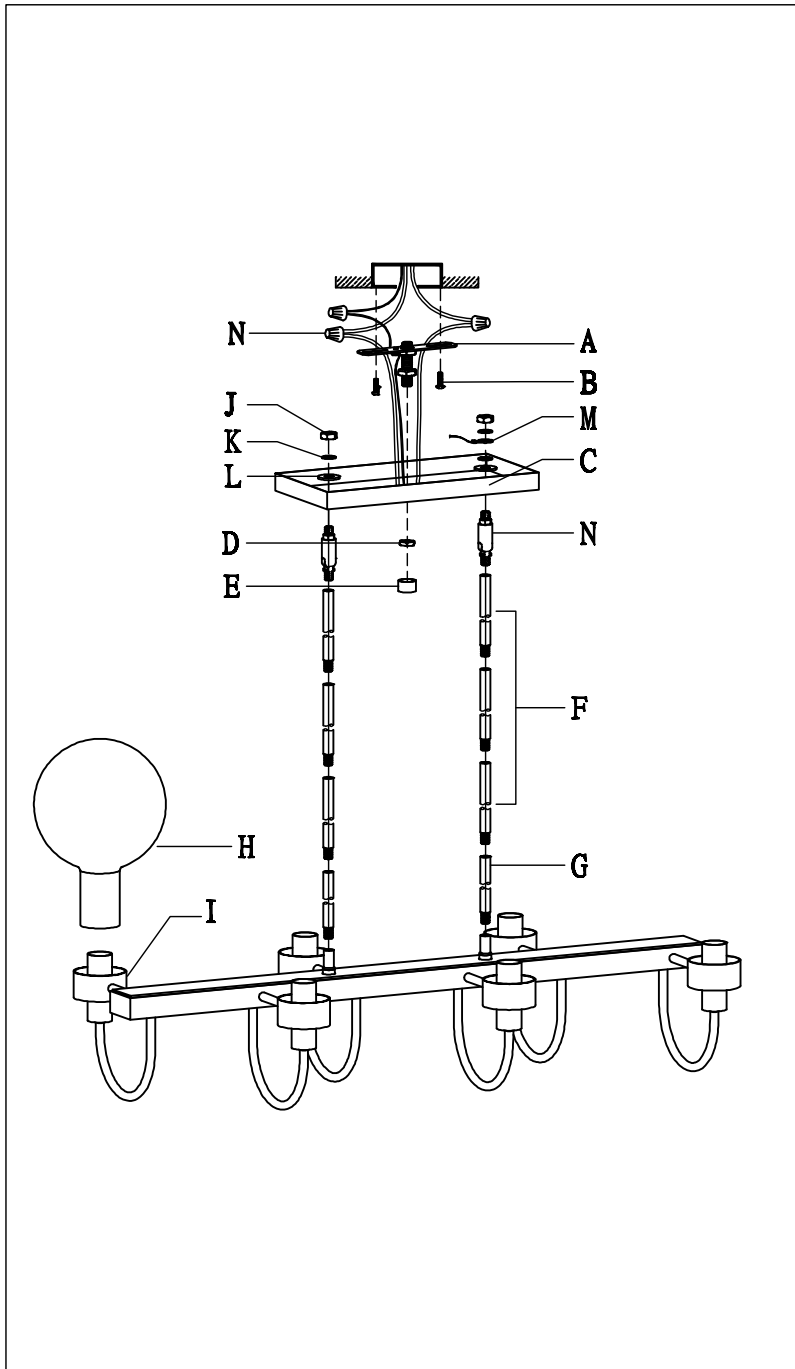


Bulb(not included): 6-60 Watt Incandescent Base Bulbs

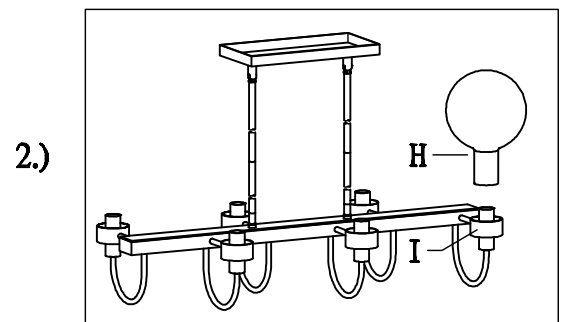
IMPORTANT: Turn off the power at the main fuse or circuit breaker box before starting installation

- | | | | |
|---|---|--|---|
|  |  |  |  |
| A Crossbar(1pc) | B Screw(2pcs) | C Backplate(1pc) | D Hex nut(1pc) |
|  |  |  |  |
| E Finial (1pc) | F 12"Stem(6pcs) | G 6" Stem(2pcs) | H Glass(6pcs) |

Locate all hardware & components before discarding packaging



Step.1: Remove Crossbar from fixture and install to electrical box
Run wire through stems and combine stem lengths to meet desired mounting height.
Wire fixture to wires in outlet box.
Green wire is for Ground.
Install fixture to bracket and tighten screws at the ends of the canopy to secure.



Step.2:Put the glass(H) into socket(I) one by one

Cleaning & Care:

Clean with soft cloth and a mild detergent.
 Do not use abrasive cleaner.