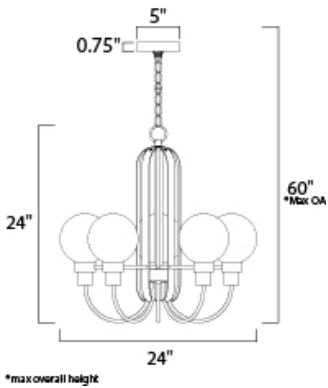




PRODUCT DESCRIPTION

This classic Mid Century Modern design features a frame finished in a combination of Bronze and Satin Brass. The arms terminate at rings that support Clear heavy blown glass shades which were prevalent in this era.



MEASUREMENTS

- DIMENSION : 24" L x 24" W x 24" H
- MAX OAH : 60" OAH
- CANOPY : 5" W x 0.75" H
- HANGING WEIGHT : 11.07 lb

LAMPING

- INPUT VOLTAGE : 120V
- BULB : 5 x 60W Incandescent E12 Candelabra , 300W Total
- BULB INCLUDED : (Not Included)
- DIMMABLE : Yes

FINISHES OPTION

- Bronze / Satin Brass

GLASS

Clear CL

MATERIAL

Steel, Glass

RATINGS

cULus
Dry Location



ADDITIONAL

ADJUSTABLE
SLOPE: 120
OPERATING TEMPERATURE:
-20°C (-4°F), 40°C (104°F)

Always consult a qualified electrician before installing any lighting product.



WESTERN DISTRIBUTION CENTER (HEADQUARTER)
253 NORTH VINELAND AVE | CITY OF INDUSTRY, CA 91746
EASTERN DISTRIBUTION CENTER
4200 SHIRLEY DR. | ATLANTA, GA 30336
P. 626.956.4200 | F. 626.956.4225 | maximlighting.com