

shown in Brushed Brass
with 52" Barn Wood blades



Irene-5H

Designed in 2013



The Irene-5H ceiling-mount fan is rustic, yet strikingly modern with five neatly joined, solid wood, matte black, matte white, walnut, or barn wood tone blades. A cylindrical motor housing complements its minimal profile. Irene-5H is streamline while still appearing warm and natural. Constructed of cast aluminum and heavy stamped steel, the Irene-5H has a limited lifetime warranty.

Product Features



DC
Motor



Damp
Location



Silent



Remote
Control



Wall
Control



shown in Brushed Nickel
with 52" Walnut blades

shown in
Polished Chrome
with 60" Barn Wood blades

shown in Matte Black
with 42" Matte Black blades

shown in Gloss White
with 52" Matte White blades

shown in Walnut
with 42" Barn Wood blades

shown in Textured Bronze
with 42" Walnut blades

shown in Brushed Bronze
with 42" Matte Black blades

shown in Barn Wood
with 42" Walnut blades

shown in Brushed Pewter
with 42" Matte Black blades

IRENE-5H

FINISH AND BLADE OPTIONS

SKU#	IR5H-XXXX-XXX-XX (Model+Finish+Blade+Diameter)		
NEW	Standard Finishes	Barn Wood	BW
		Brushed Brass	BRBR
		Brushed Bronze	BB
		Brushed Nickel	BN
		Brushed Pewter	BP
		Gloss White	WH
		Matte Black	BK
		Polished Chrome	CR
		Textured Bronze	TB
		Walnut	WN
NEW	Blade Finishes	Barn Wood Tone	BW
		Matte Black	BK
		Matte White	MWH
		Walnut Tone	WA
Fan Diameter	42 inches / 107 cm	42	
	52 inches / 132 cm	52	
	60 inches / 152 cm	60	

TECHNICAL SPECS

Fan Diameter	inches: 42, 52 or 60 centimeters: 107, 132 or 152
Blade Material	CNC Cut Solid Wood
Overall Drop	10 inches / 25 cm
Fan Weight	12 lbs
Voltage	110 or 220
Motor Type	DC
Environment	Damp locations for all finishes Neither coastal, saltwater nor chlorine compatible
Ambience	Silent
Safety Certification	ETL / CETL
Warranty	Limited Lifetime

NEW JAN 21, 2020 DOE MOTOR EFFICIENCY DATA

Fan Diameter	42 inch / 107 cm	52 inch / 132 cm	60 inch / 152 cm
RPM (Low/High)	51 / 226	51 / 151	51 / 78
CFM (Low/High)	855 / 3989	1631 / 4970	2201 / 3543
Watts (High)	25.76	31.46	31.58
CFM/Watt (High)	193	162	123
Blade Pitch	15°	15°	15°

STANDARD EQUIPMENT

6-speed RF remote control w/reverse in black		Wireless Decora-style, 6-speed, wall control in white	
--	---	---	---

NOTE: Only compatible with included controllers.

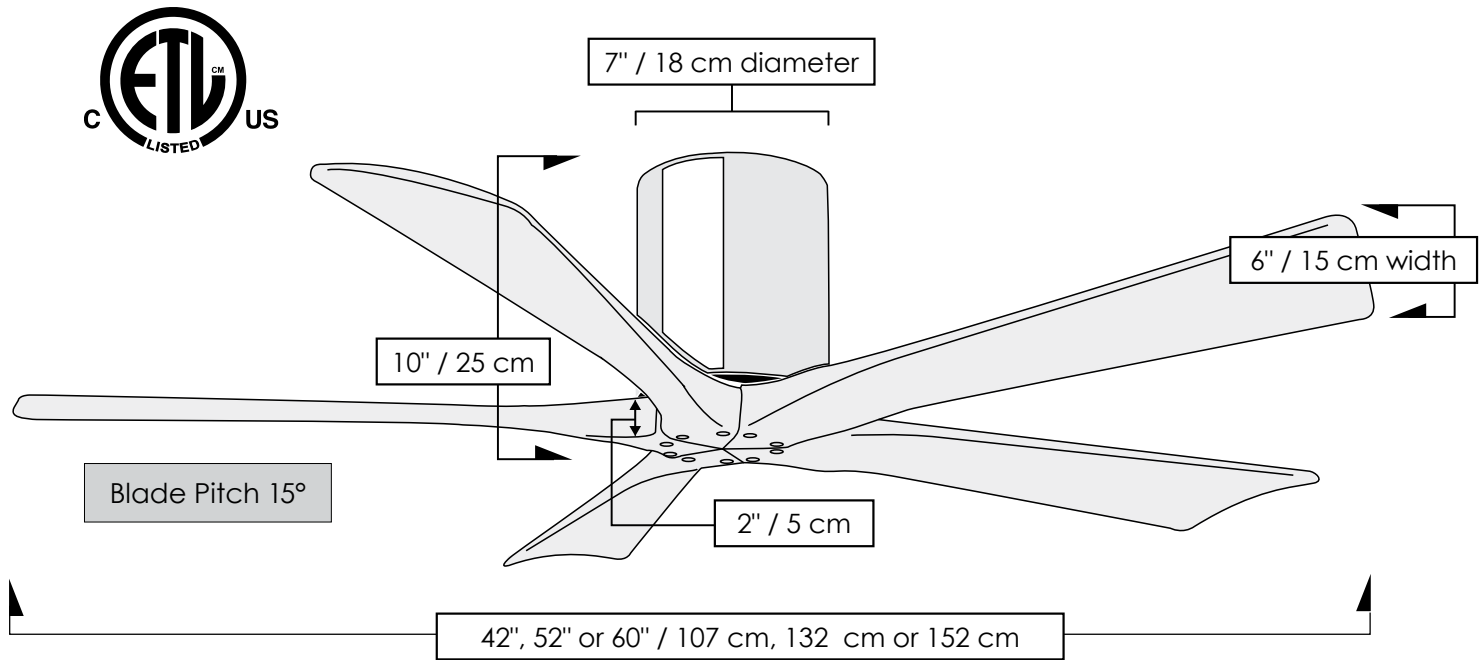
Blade Options



shown in Brushed Brass
with 52" Barn Wood blades

Irene-5H

TECHNICAL SPECIFICATIONS



CEILING PITCH TABLE

0/12	0 degrees
1/12	4.76 degrees
2/12	9.46 degrees
3/12	14.04 degrees
4/12	18.43 degrees
5/12	22.62 degrees
6/12	26.57 degrees
7/12	30.26 degrees
8/12	33.69 degrees
9/12	36.87 degrees
10/12	39.81 degrees
11/12	42.51 degrees

CEILING HEIGHT TABLE

Suitable for ceiling heights 7'10" or greater

Matthews Fan Company

1881 Industrial Drive
 Libertyville, IL 60048
 Tele: 847.680.9043
 Fax: 847.680.8140
www.matthewsfanco.com

© 2021 Matthews Fan Company. All rights reserved.

