

shown in Gloss White
with Gloss White blades

ATLAS

Eliza-LK *Geometry in Motion*

Designed in 2016

Designed by Chicago architect Stephen Katz in 2016, the Eliza-LK blends a beautiful technically derived form with superior function and movement. The unique blade shape is designed to maximize air movement at the outer edge of the blade; the result is more efficient air velocity rings, less blade drag and greater motor optimization. Equally important is Eliza-LK's stationary visual statement which combines modern utility with minimalist geometry. Constructed of cast aluminum and heavy stamped steel, the Eliza-LK has a limited lifetime warranty.

Product Features



DC
Motor



Damp
Location



Silent



LED
Lamp



Dimmable
Lamp



Remote
Control



Wall
Control



Unipack
Shipping



ELIZA-LK

FINISH AND BLADE OPTIONS

| SKU# | EKLK-XX-XX (Model+Finish+Blade) | |
|-------------------|--|---|
| Standard Finishes | Brushed Nickel Gloss White Matte Black | BN WH BK |
| Blade Finish | Barn Wood Brushed Nickel Gloss White Gray Ash Matte Black Old Oak Walnut | BW BN WH GA BK OO WN |

TECHNICAL SPECS

| | |
|--|---|
| Fan Diameter | 56 inches / 142 cm |
| Overall Drop | 14 inches / 36 cm + downrod length |
| Fan Weight | 18 lbs |
| Voltage | 110 or 220 |
| Motor Type | DC |
| Downrods Lengths <i>Field Cuttable Non-Threaded</i> | inches: 5, 10, 20, 30, 48, 72 centimeters: 13, 25, 51, 76, 122, 183 |
| Downrod Diameter | 1 inch |
| Environment | Damp locations for all finishes Neither coastal, saltwater nor chlorine compatible |
| Ambience | Silent |
| Safety Certification | ETL / CETL |
| Warranty | Limited Lifetime |

NEW JAN 21, 2020 DOE MOTOR EFFICIENCY DATA

| | |
|------------------|-------------|
| RPM (Low / High) | 52 / 180 |
| CFM (Low / High) | 1453 / 5490 |
| Watts (High) | 31.68 |
| CFM/Watt (High) | 173.28 |
| Blade Pitch | 27° |

LIGHT KIT PHOTOMETRICS

| Lamping (Replaceable) | Integrated LED |
|----------------------------|----------------|
| Remote Dimmable | Yes |
| Delivered Temperature in K | 2908 |
| Delivered Lumens | 428 |
| CRI | 95 |
| Watts | 17 |
| Hours | 50,000 |

Light kit longevity if used 6 Hours/Day: 22.8 Years

STANDARD EQUIPMENT

One downrod of 10 inches / 13 cm

Vaulted ceiling canopy for up to 30°

Black 6-speed RF remote control with reverse

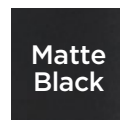
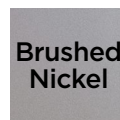
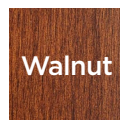
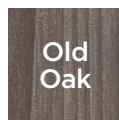
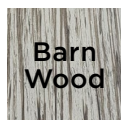


White wireless Decora-style, 6-speed, wall control with reverse



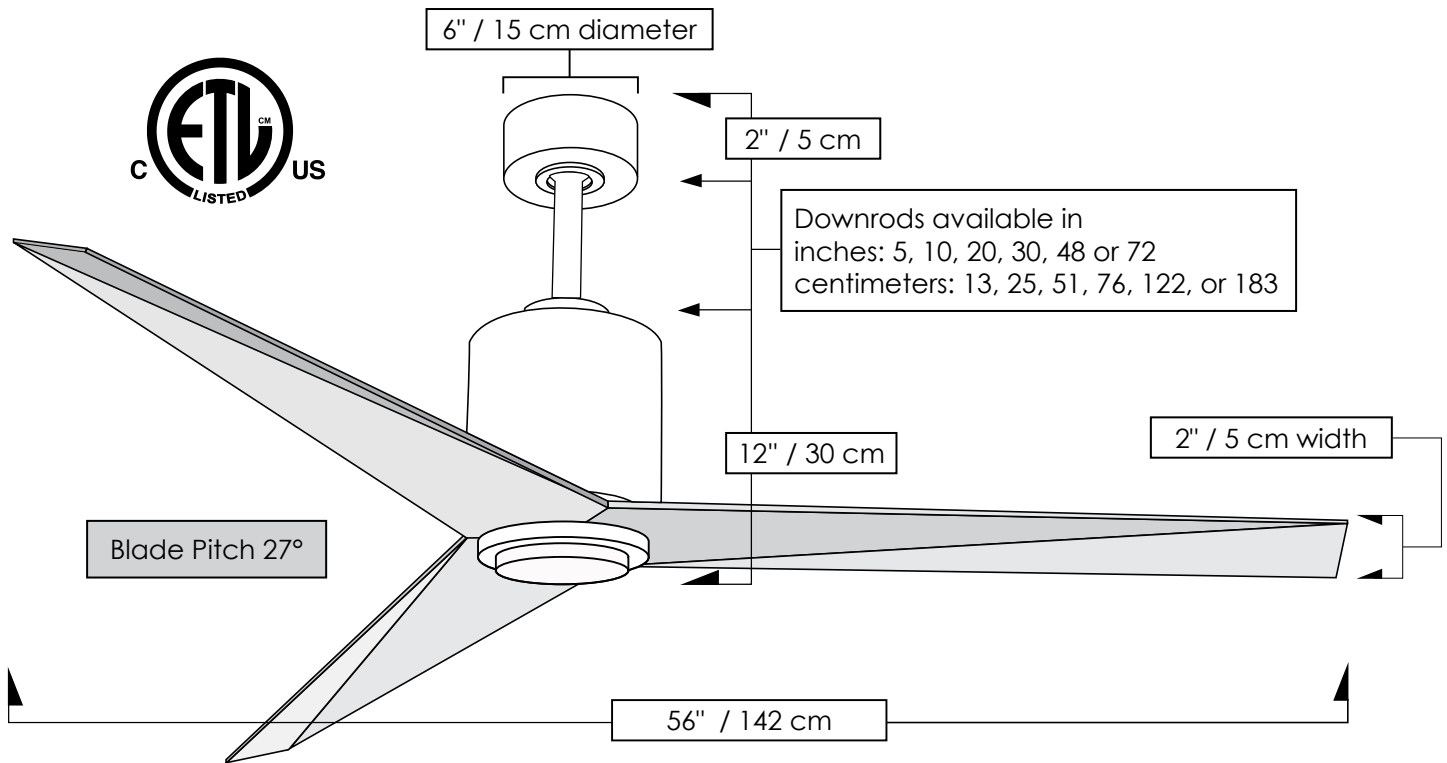
NOTE: Only compatible with included controllers.

Blade Options



Eliza-LK

TECHNICAL SPECIFICATIONS



CEILING PITCH TABLE

| | |
|-------|---------------|
| 0/12 | 0 degrees |
| 1/12 | 4.76 degrees |
| 2/12 | 9.46 degrees |
| 3/12 | 14.04 degrees |
| 4/12 | 18.43 degrees |
| 5/12 | 22.62 degrees |
| 6/12 | 26.57 degrees |
| 7/12 | 30.26 degrees |
| 8/12 | 33.69 degrees |
| 9/12 | 36.87 degrees |
| 10/12 | 39.81 degrees |
| 11/12 | 42.51 degrees |

CEILING HEIGHT / DOWNROD TABLE

| Ceiling Height | Downrod Lengths <i>Field cuttable. Non-threaded</i> |
|----------------|---|
| 10 ft or less | 5 inches / 13 cm <i>Use safety cages if applicable</i> |
| 10 -12 feet | 10 inches / 25 cm |
| 13 feet | 20 inches / 51 cm |
| 14 feet | 30 inches / 76 cm |
| 15 feet | 48 inches / 122 cm |
| 16 feet + | 72 inches / 183 cm |

Matthews Fan Company

1881 Industrial Drive
Libertyville, IL 60048
Tele: 847.680.9043
Fax: 847.680.8140
www.matthewsfanco.com

© 2020 Matthews Fan Company. All rights reserved.

