

shown in Brushed Nickel with
Metal blades and Decorative Cage



Diane

Designed in 2008

The Diane directional fan head provides maximum airflow with a sweeping 90° forward and reverse oscillation. The Diane can be hung in small, awkward spaces or in front of HVAC ducts to improve the efficiency of heating, ventilation or air conditioning of any space. Constructed of cast aluminum and heavy stamped steel, the Diane carries a limited lifetime warranty.

Product Features



American
Labor



AC
Motor



90°
Oscillation



Safety Cage
Compatible



Damp
Location



Soothing
White Noise



Remote
Control



Unipack
Shipping

shown in
Textured Bronze
with Mahogany blades



shown in Textured
Bronze with
Metal blades and
Decorative Cage



shown in
Matte Black with
Matte Black blades



shown in Polished Chrome
with Metal blades and
Decorative Cage



shown in
Polished Chrome
with Barn Wood blades



shown in Brushed Nickel
with Mahogany blades



DIANE

FINISH AND BLADE OPTIONS

SKU#	DI-XX-XXXX (Model+Finish+Blade)	
Standard Finishes	Brushed Nickel Matte Black Polished Chrome Textured Bronze	BN BK CR TB
NEW	Blade Styles and Material	Solid Wood/Barn Wood WDBW Solid Wood/Mahogany WD Solid Wood/Matte Black WDBK Metal w/ Decorative Cage MTL Metal w/ Safety Cage MSAF

TECHNICAL SPECS

Fan Weight	12 lbs	
Voltage	110 or 220	
Motor Type	AC	
Oscillation	Yes	
Downrods Lengths <i>Field cuttable. Non-threaded</i>	inches: 5, 10, 20, 30, 48, 72 centimeters: 13, 25, 51, 76, 122, 183	
Downrod Diameter	1 inch	
Overall Drop	Metal Blades	14 inches / 36 cm + downrod length
	Wood Blades	12 inches / 30 cm + downrod length
Environment	Damp locations for all finishes Neither coastal, saltwater nor chlorine compatible	
Ambience	Soothing White Noise	
Safety Certification	ETL / CETL	
Warranty	Limited Lifetime	

NEW JAN 21, 2020 DOE MOTOR EFFICIENCY DATA

Fan Head Options	Solid Wood	Metal with Guard
Fan Diameter	16 inches / 41 cm	13 inches / 33 cm
Fan Blade Diameter	16 inches / 41 cm	13 inches / 33 cm
Guard Options	No Cage Option	Decorative Cage or Safety Cage
RPM (Low / High)	865 / 1325	900 / 1377
CFM (Low / High)	1441 / 2152	1068 / 1345
Watts (High)	51.37	46.14
CFM/Watt (High)	44	31
Blade Pitch	19°	31°

STANDARD EQUIPMENT

One downrod of 10 inches / 25 cm

Vaulted ceiling canopy for up to 29°

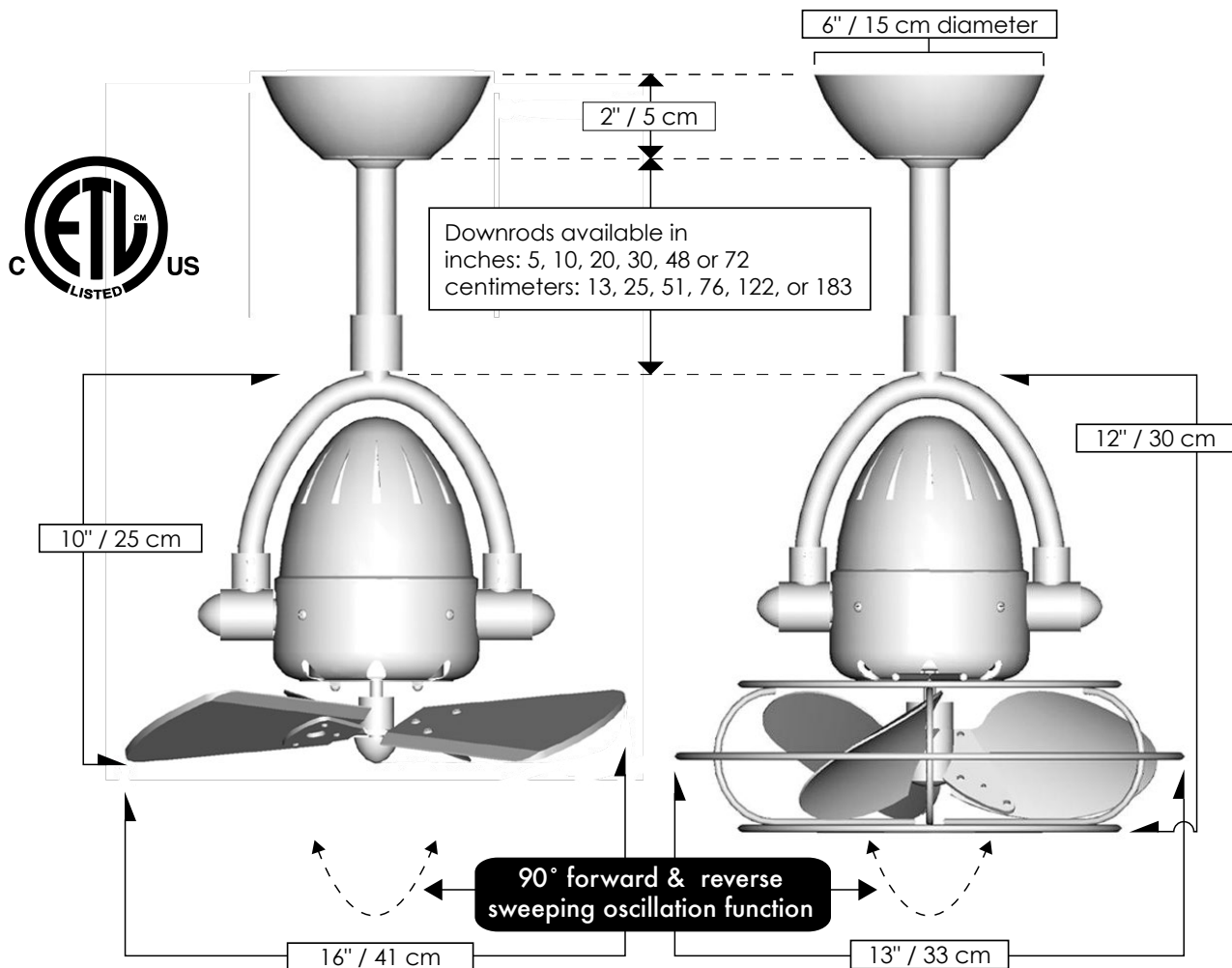
Black 3-speed
RF remote
control



ACCESSORY

Decora-style,
3-speed wall
control in white





CEILING PITCH TABLE

0/12	0 degrees
1/12	4.76 degrees
2/12	9.46 degrees
3/12	14.04 degrees
4/12	18.43 degrees
5/12	22.62 degrees
6/12	26.57 degrees
7/12	30.26 degrees
8/12	33.69 degrees
9/12	36.87 degrees
10/12	39.81 degrees
11/12	42.51 degrees

CEILING HEIGHT / DOWNROD TABLE

Ceiling Height	Downrod Lengths <i>Field cuttable. Non-threaded</i>
10 ft or less	5 inches / 13 cm <i>Use safety cages if applicable</i>
10 -12 feet	10 inches / 25 cm
13 feet	20 inches / 51 cm
14 feet	30 inches / 76 cm
15 feet	48 inches / 122 cm
16 feet +	72 inches / 183 cm

Matthews Fan Company

1881 Industrial Drive
Libertyville, IL 60048
Tele: 847.680.9043
Fax: 847.680.8140
www.matthewsfanco.com

© 2021 Matthews Fan Company. All rights reserved.

