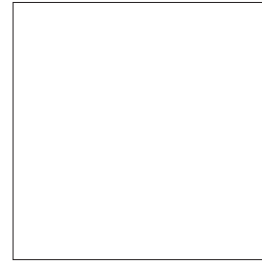
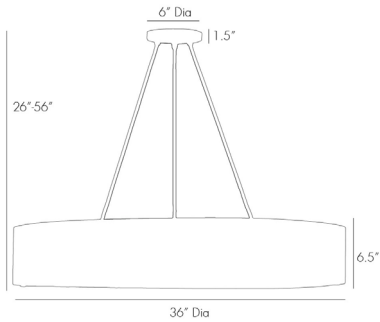


# ARTERIOS

## MARSHA LARGE CHANDELIER



89023

H: 26 IN, Dia: 36.00 IN

Matte Black

Contract Suitable As Is

Clean, sophisticated and practical, this six-light chandelier has a sleek, narrow silhouette perfect for hanging over an island in the kitchen or over a table that wants to be the center of attention. Constructed in steel with matte black microfiber and antique brass-finished accents. Acrylic diffusers at the top and bottom filter the light. Black cloth cord.

### APPEARANCE

Material	Brass, Microfiber, Steel
Material Type	Stainless
Finish	Antique Brass, Black, Matte Black
Top Coat/Sealant	true

### DIMENSIONS

Chandelier	H: 6.5 IN, Dia: 36.00 IN
Minimum Hanging Height	26 IN
Maximum Hanging Height	68 IN
Canopy	H: 1.5 IN, Dia: 6.00 IN

### WIRING

Rating	Indoor Only
Cord	10 FT IN, Black, SVT
Socket	6, Type A- E26 Keyless
Maximum Watt	40
Voltage	110-120 V

### CERTIFICATIONS

Cerifications	Mexico China, European Union, United Arab Emirates, United States, Canada
---------------	---

### COMPLIANCY

UL/ETL	Yes
CB	Yes
RoHS	true

### SHIPPING

Product Weight	21 LBS
Gross Weight 1	31 LBS
Shipping Box 1	H: 9 IN, L: 39 IN, W: 39 IN

### ADDITIONAL INFO

Features	Assembly Required
----------	-------------------

### REPLACEMENT PARTS

Replacement Part 1	CANOPY-233
Replacement Part 1 Dim	1" x 6" Dia