



Project: _____

Location: _____

Fixture Type: _____

AVAILABLE FINISHES



Chicago

5304-840RC-ALU-3

PRODUCT DESCRIPTION

Ring Flush circular ceiling lamp, brushed aluminum finish, aluminum body with diffused light source, acrylic inner ring. With integrated dimmable LEDs.

FEATURES

Category: Ceiling indoor-lighting / Flush Mount

Style: contemporary/modern

Lumens: 3200lm

Measurement: diameter 19" / height 3,55"

Finish: brush aluminum

LED Color temperature: 3000 Kelvin (Warm White)

CRI: 90

Light source: Integrated LED, 40 Watts

Input: 120 VAC, 50/60Hz

TRIAC Dimming: 100-10%

Rated Life: 50000 Hours

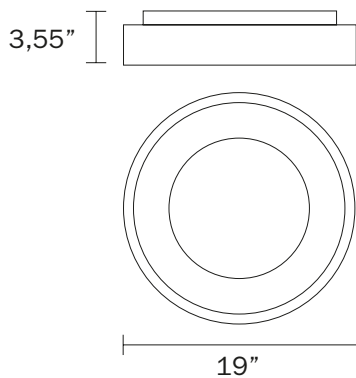
Construction: Aluminum body with acrylic diffuser

Driver: concealed within the fixture

Manufactured in: China

Safety Rating: ETL Listed

Warranty: 3 Years



5304-840RC-ALU-3

MODEL AND SIZE	COLOR TEMP	FINISH	LED WATTS	LED LUMENS
5304-840RC 19"	3000K	ALU	40W	3200