

MALAMATA

design Shulab

**LUCE
PLAN**

Type: Suspension

Lamps: **B01S22** Max 35W E12 T6 or max 15W E12 SBLED T
B01S48 Max 40W E26 A19 or max 25W E26 SBLED
120V~ 60Hz

Product use: Indoor

Materials: Steel structure, blown glass diffuser

Colors: Matt black and brushed brass

Description: The light can be adjusted thanks to a sphere counterweight. Pushing the button on top of the sphere, a spring is released and the counterweight is free to slide on the stem, allowing to change the diffuser position up and down.

Marking: 

Structure

Reference code:

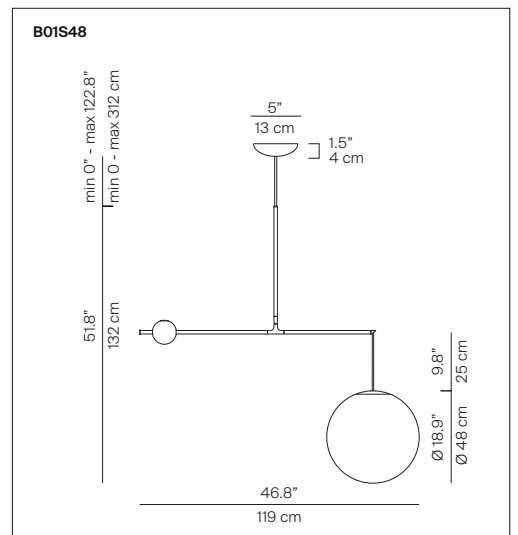
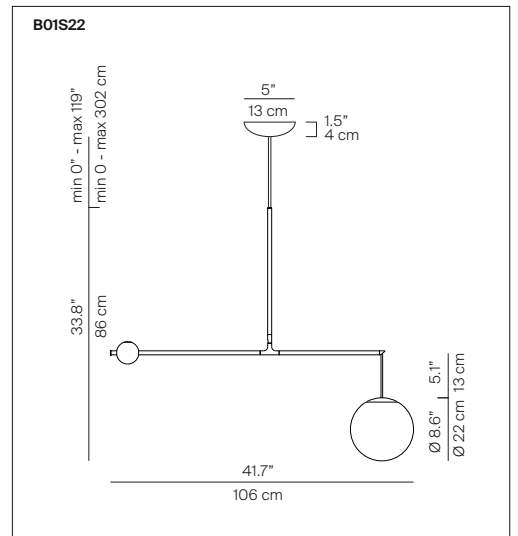
B01S22 1B010S220501 Matt black
1B010S220530 Brushed brass

B01S48 1B010S480501 Matt black
1B010S480530 Brushed brass

Opal diffuser

B01/1 1B010/100002 Ø 8.7"

B01/2 1B010/200002 Ø 18.9"



*Available for delivery in North America from October 2022

