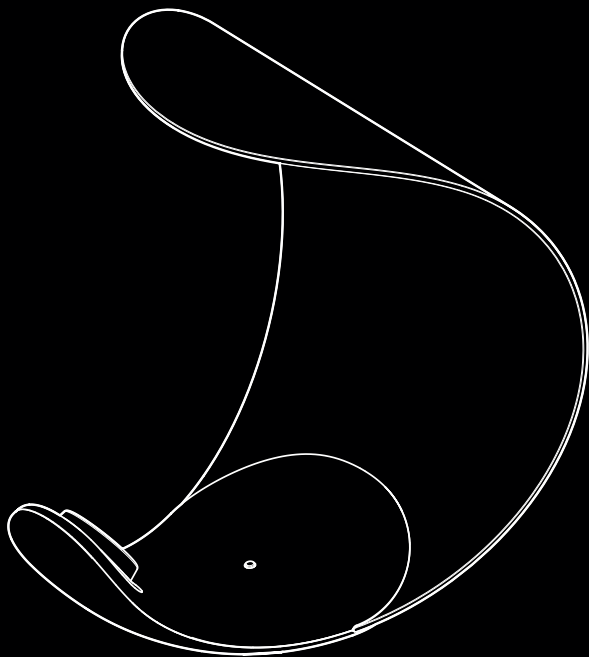


# CURL

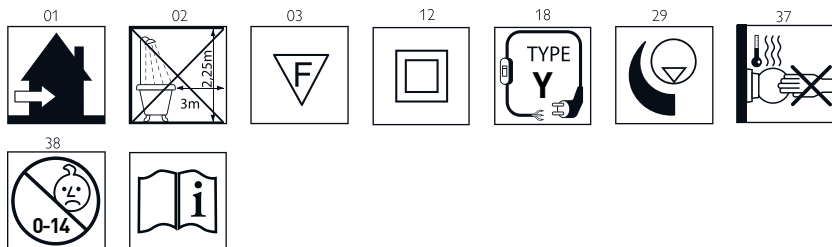
design Sebastian Bergne



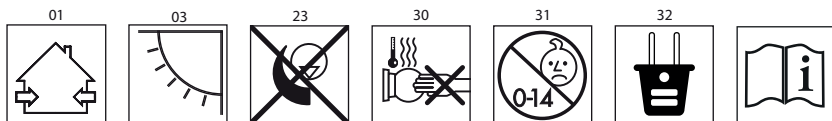
**LUCE  
PLAN**

D76

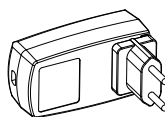
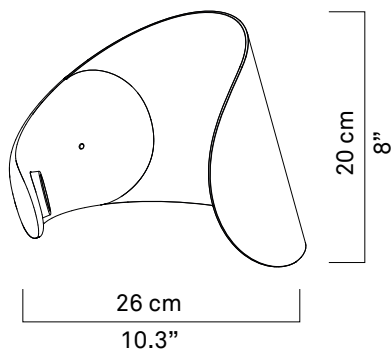
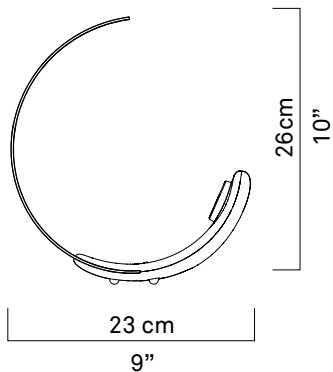
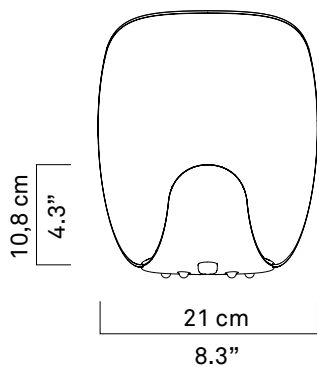




## USA - Canada - Mexico



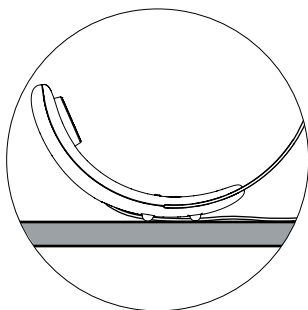
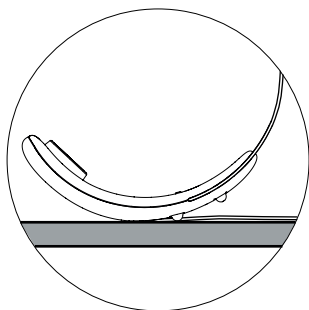
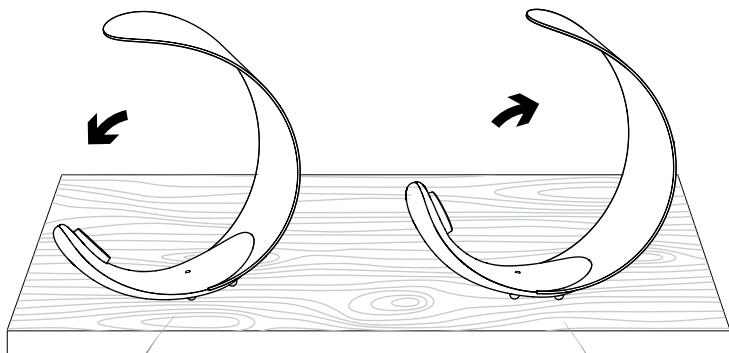
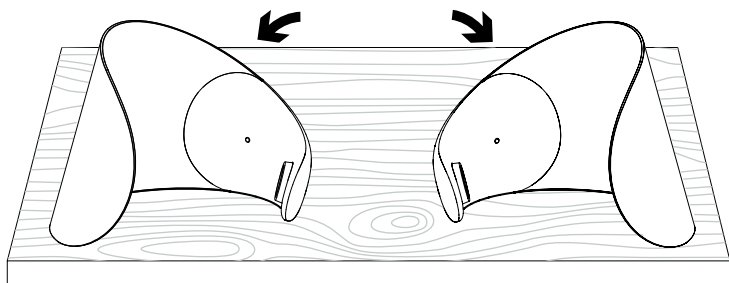
D76

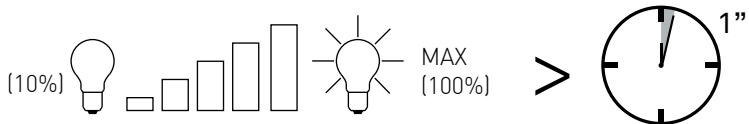
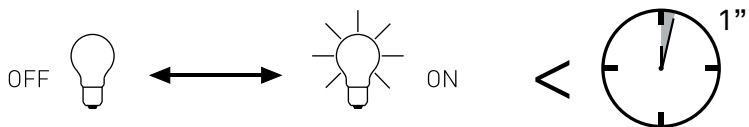
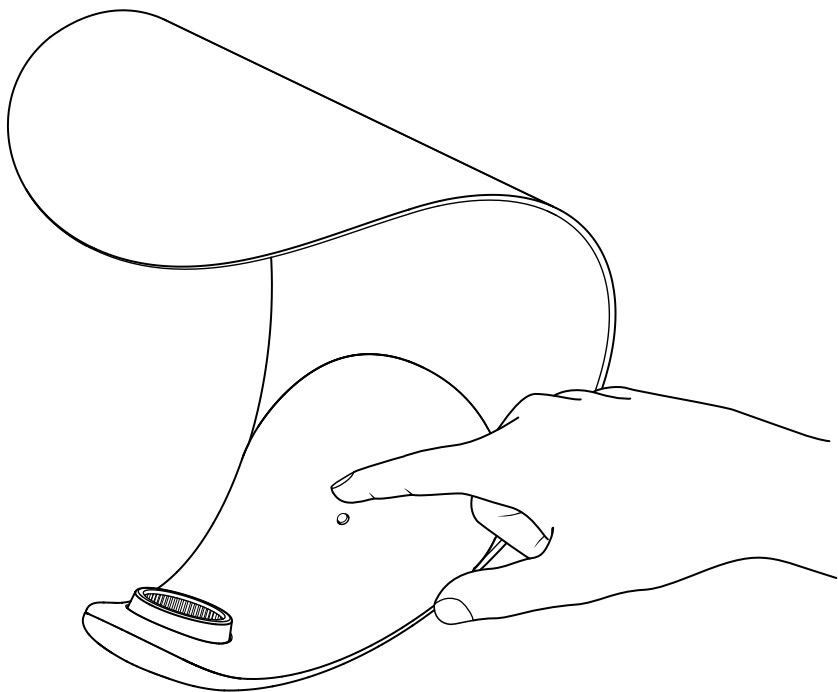


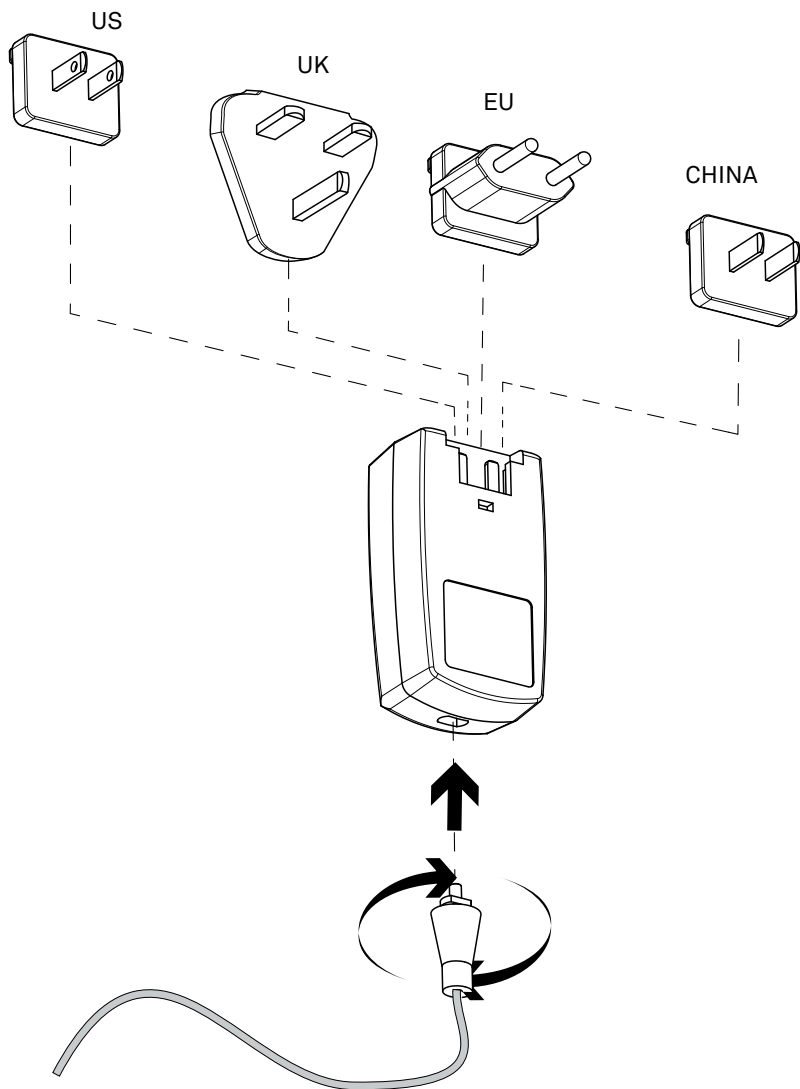
x1

**kg** 0,6 kg

**lb** 1.4 lb











[www.luceplan.com](http://www.luceplan.com)

D76010202