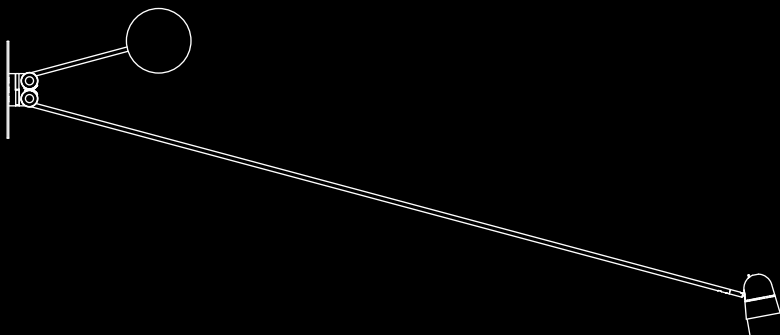


COUNTERBALANCE

design Daniel Rybakken

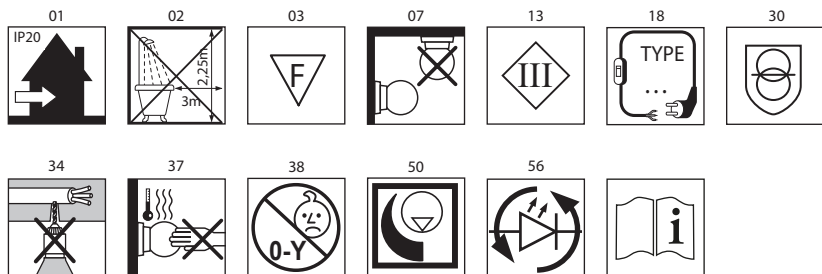


**LUCE
PLAN**

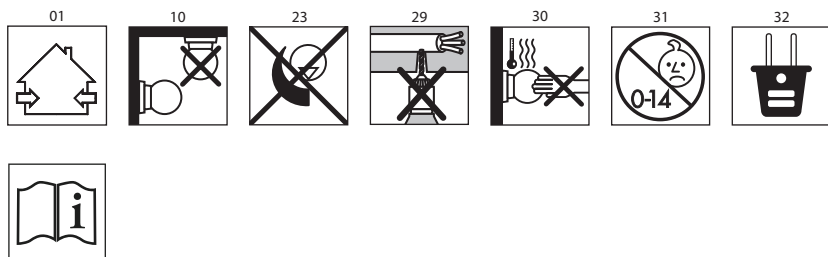
D73



D73 - EMEA



D73 - NAMER



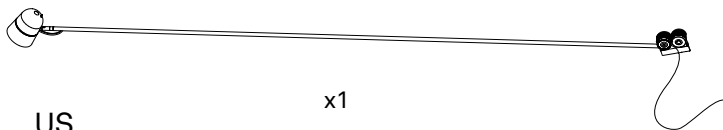
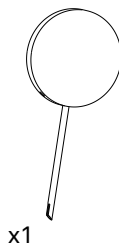
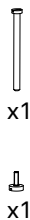
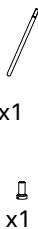
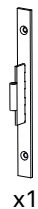
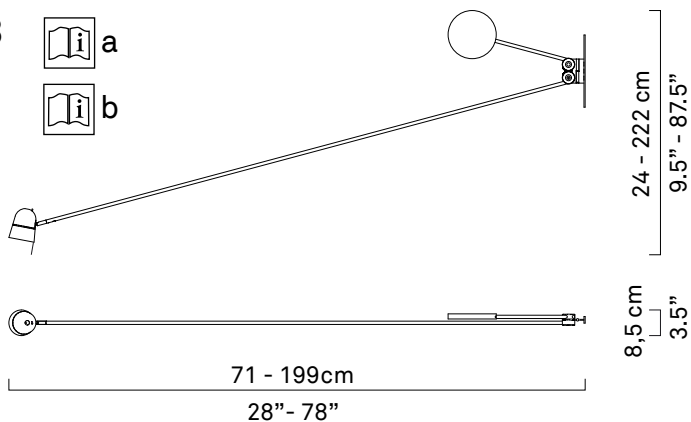
D73



a



b



US



UK



EU

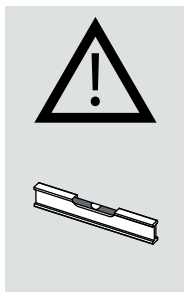
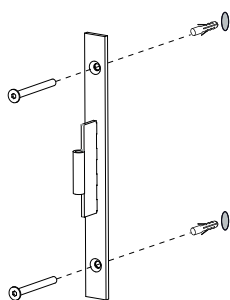
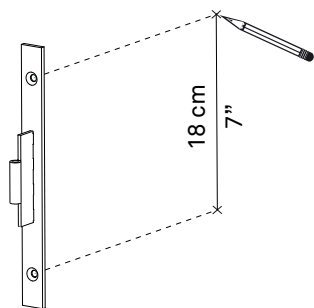


x1

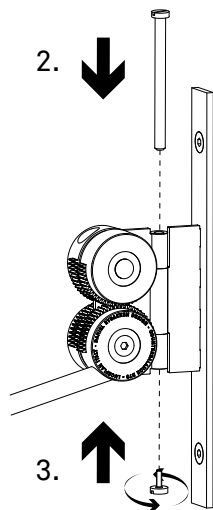
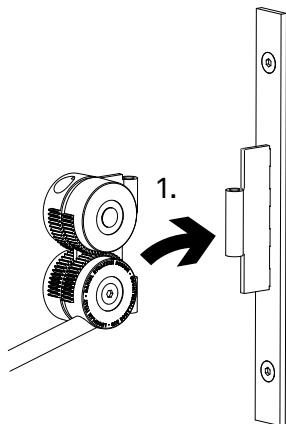
kg 5,3 kg

lb 11.7 lb

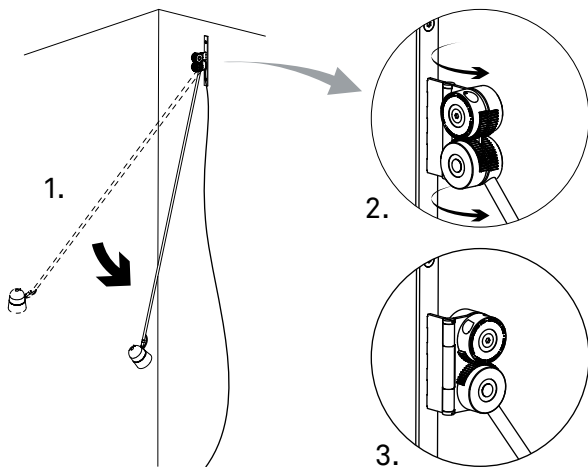
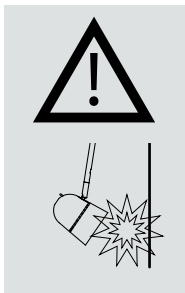
1



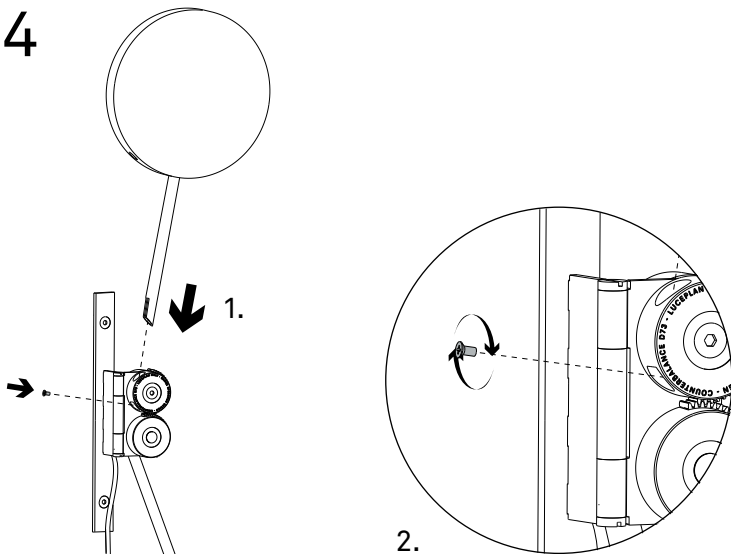
1.2



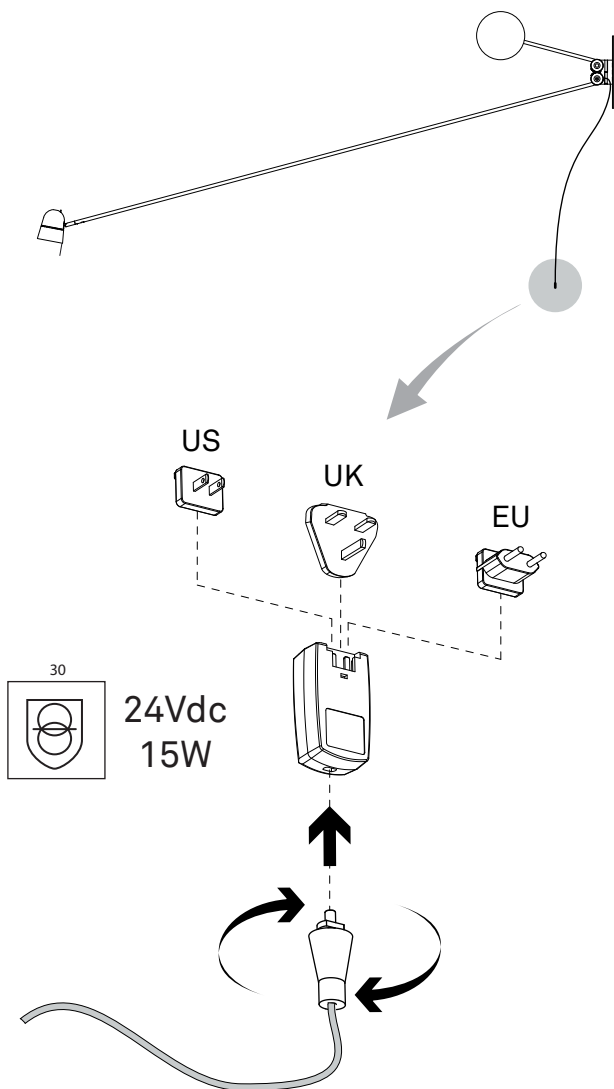
1.3



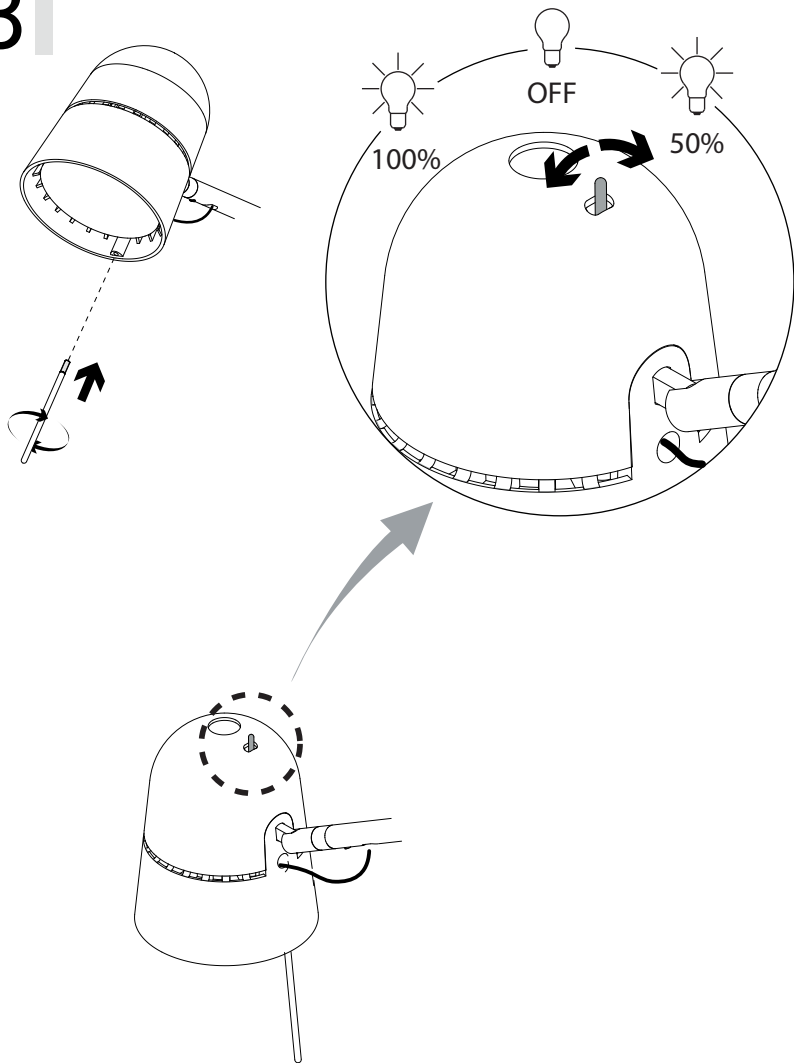
1.4

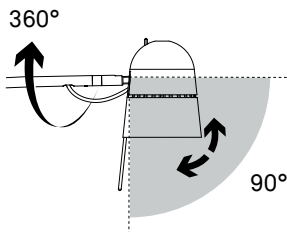
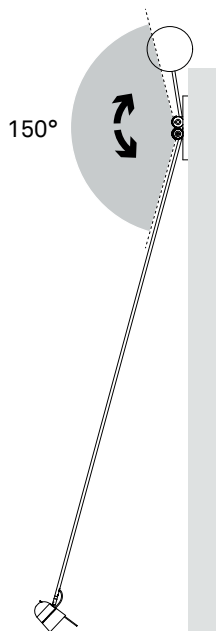
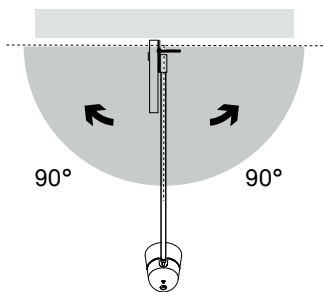
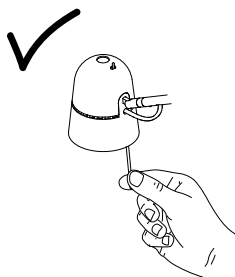
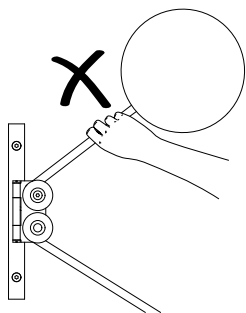


2



3







www.luceplan.com

D730ID202