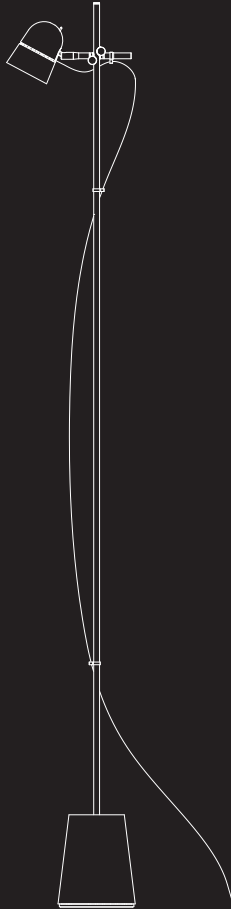


# COUNTERBALANCE

design Daniel Rybakken



**LUCE  
PLAN**

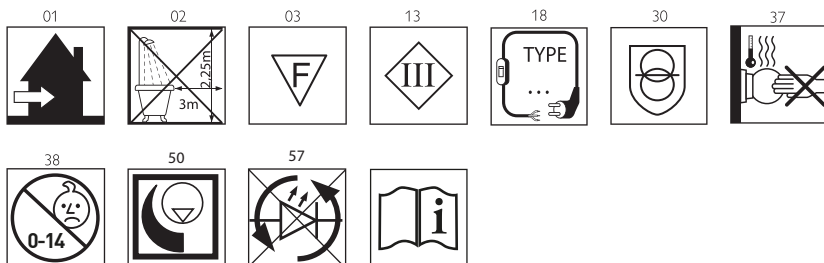
D73t



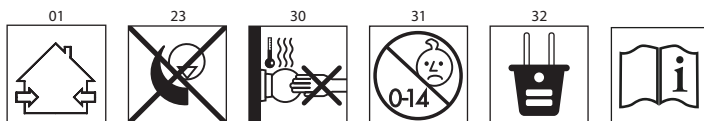
# COUNTERBALANCE

design Daniel Rybakken

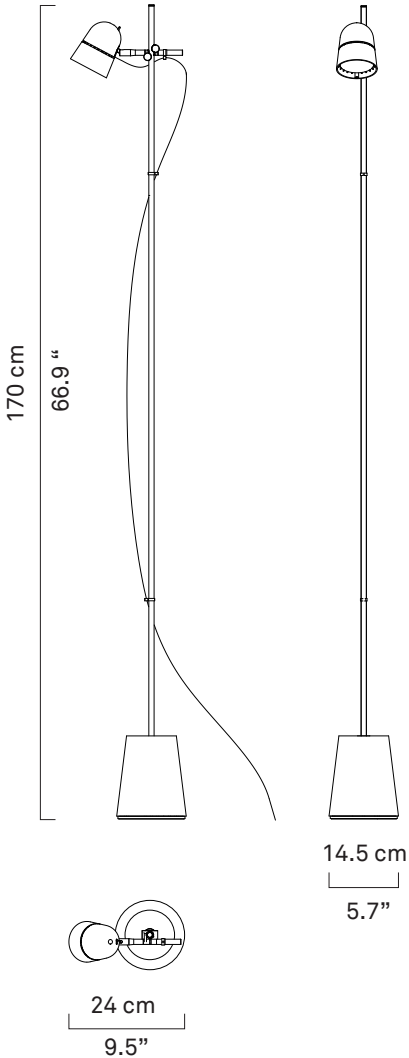
## D73t - EMEA



## D73t - NAMER



D73t



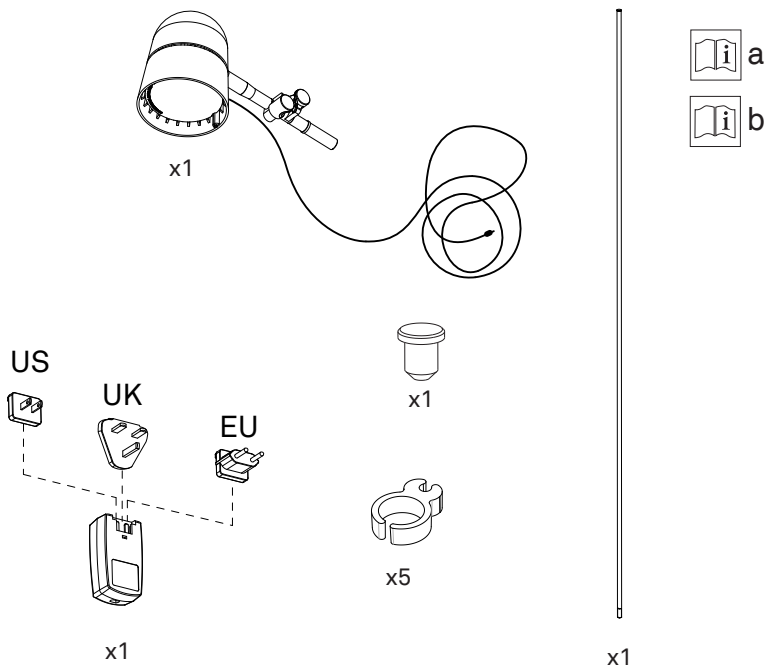
**k** 5,7 kg

**l** 12.6 lb

# COUNTERBALANCE

design Daniel Rybakken

## D73t

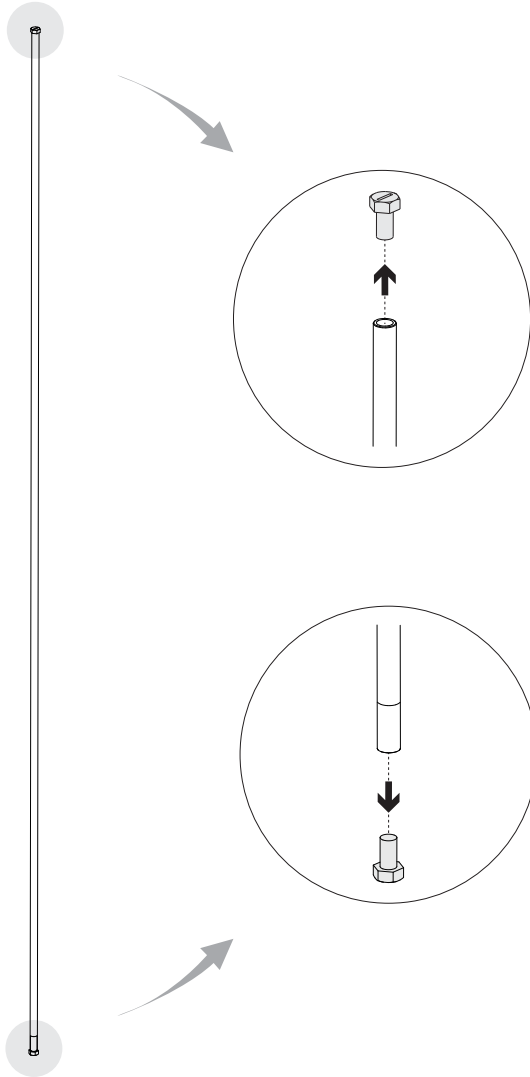


## D73/1



---

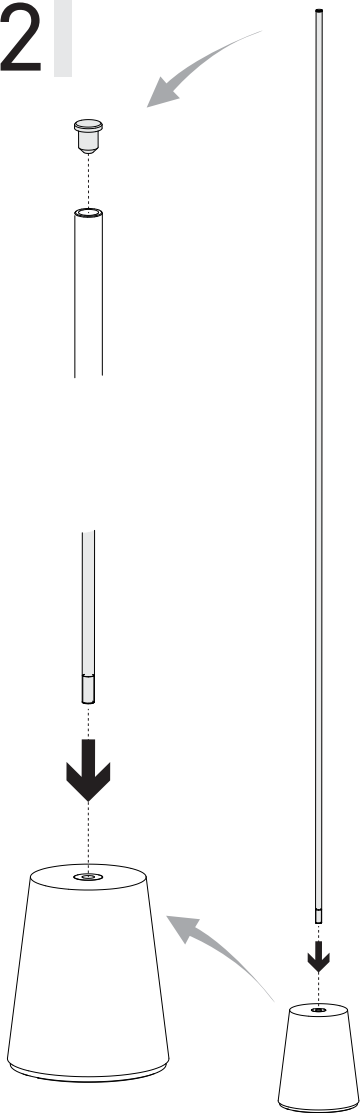
1



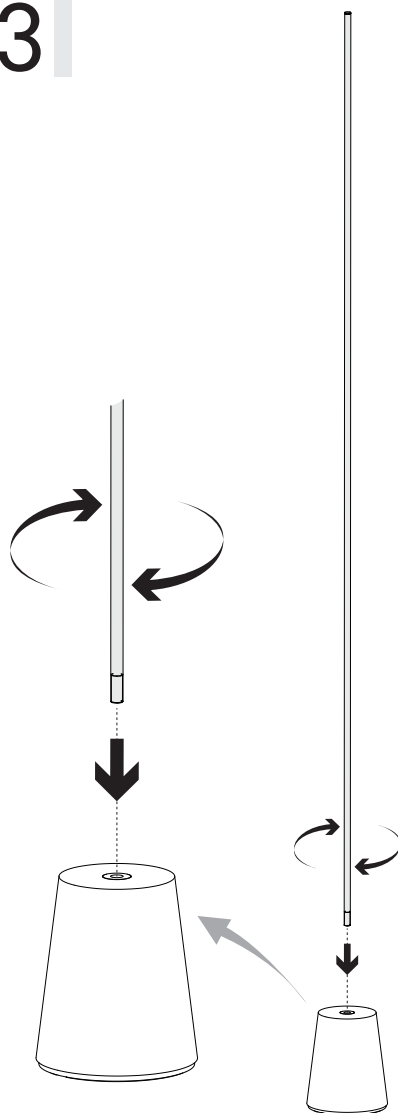
# COUNTERBALANCE

design Daniel Rybakken

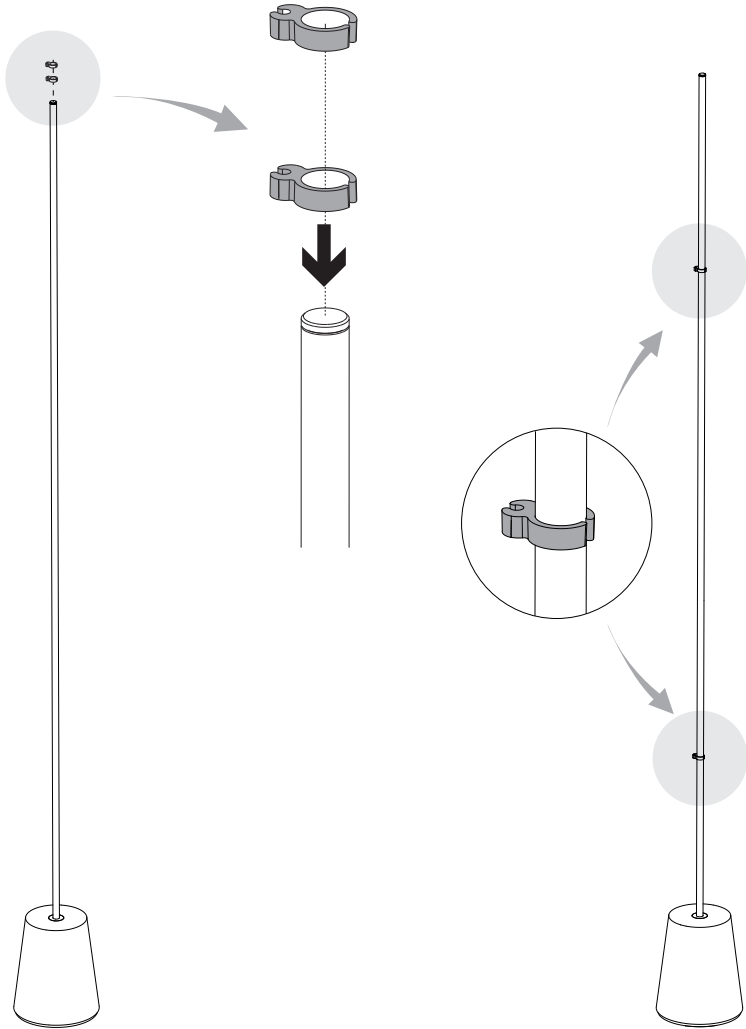
## 2



## 3



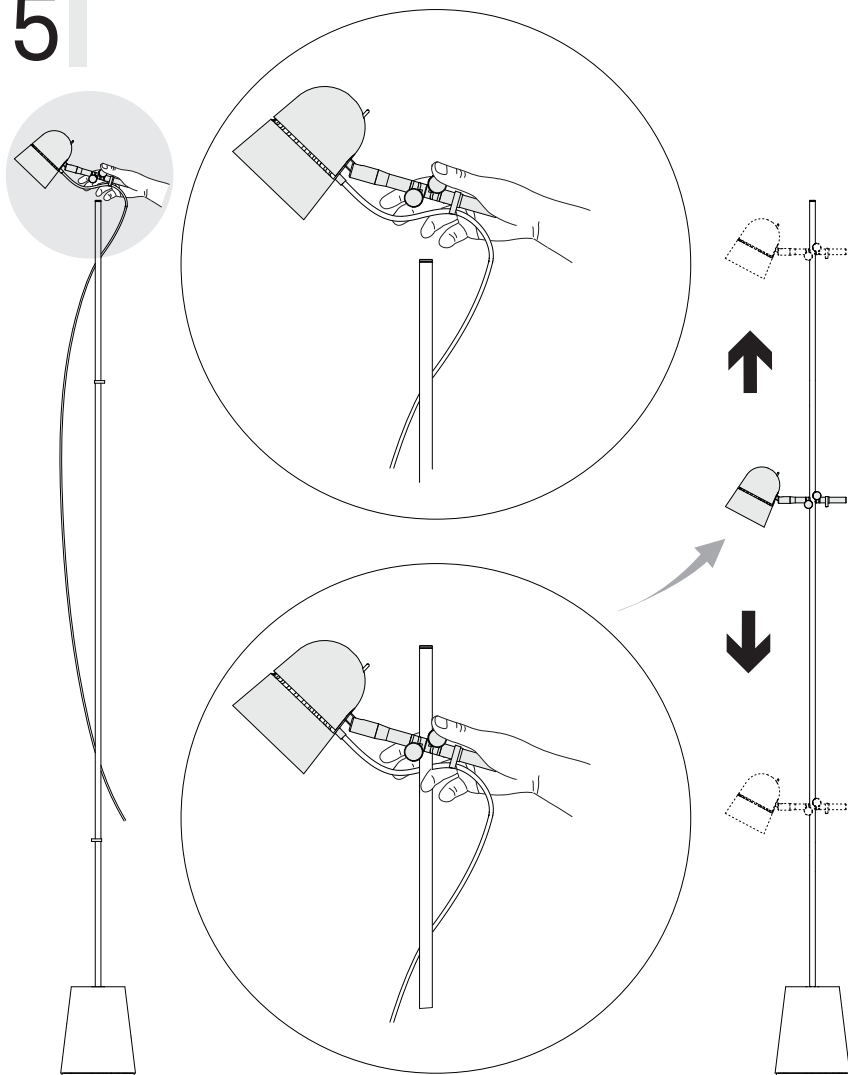
4



# COUNTERBALANCE

design Daniel Rybakken

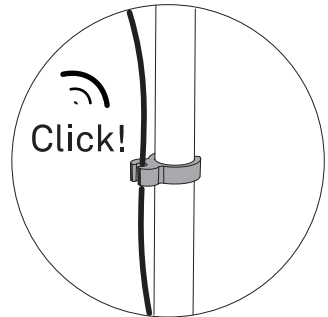
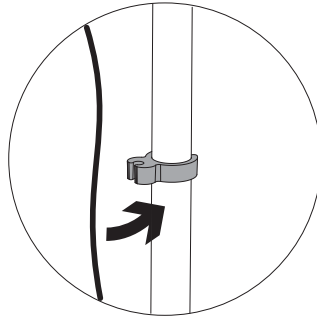
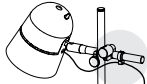
# 5





---

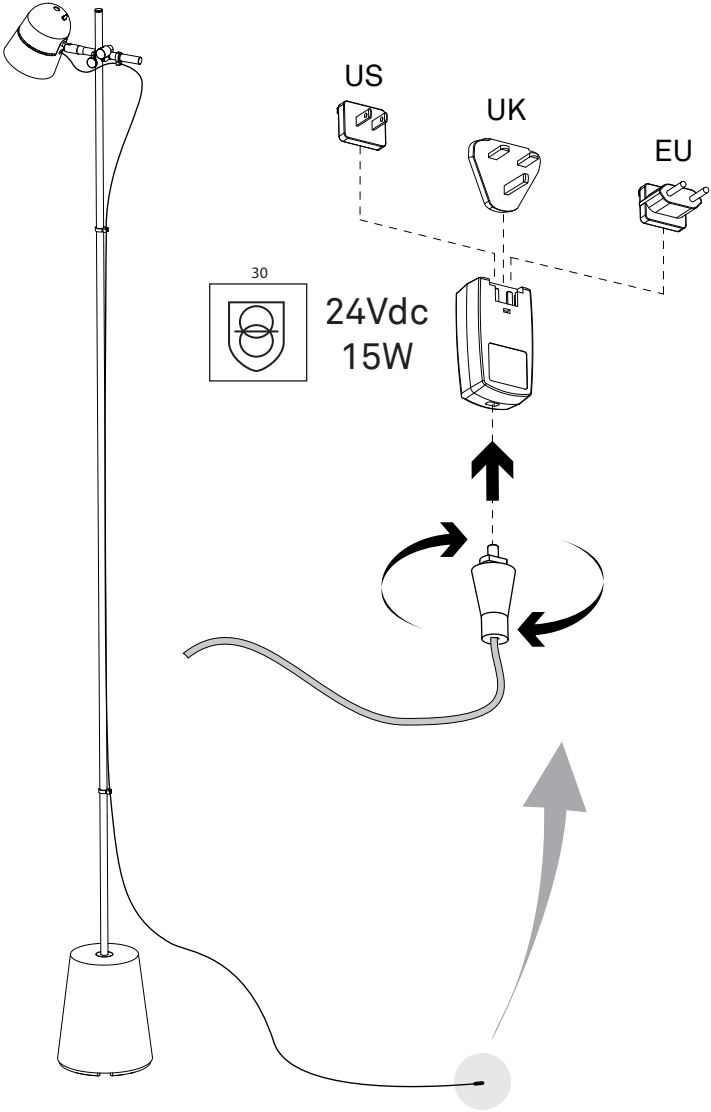
6



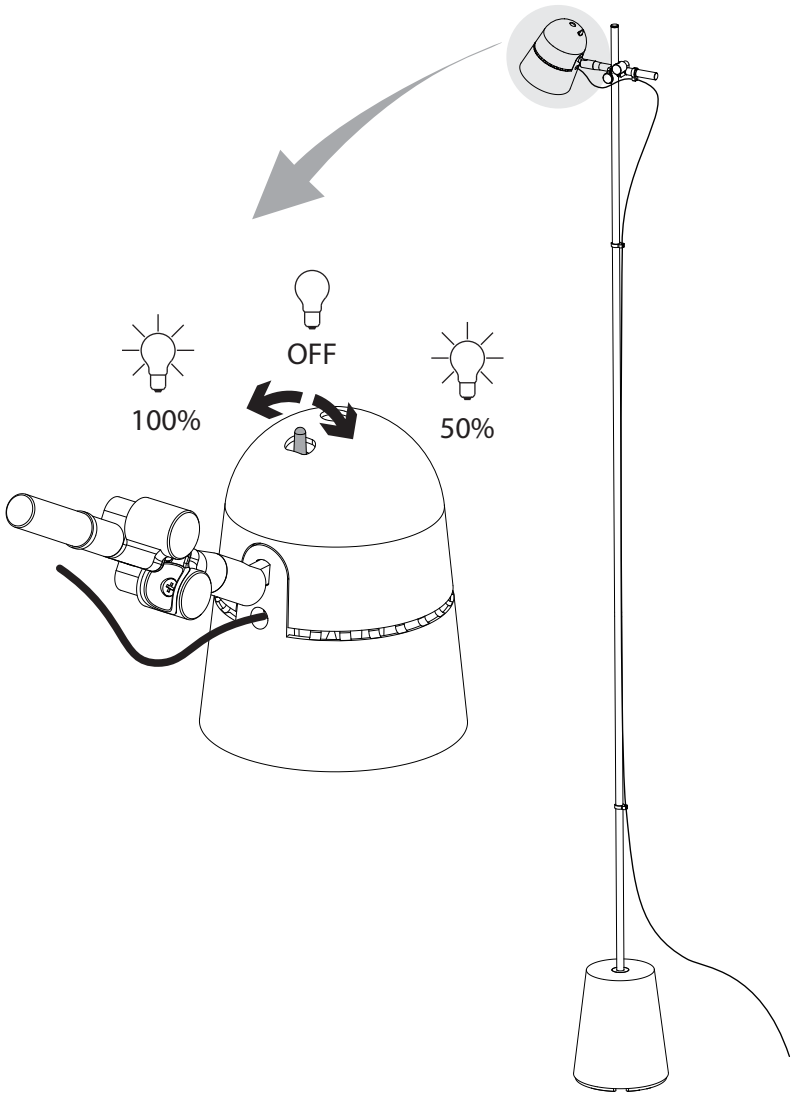
# COUNTERBALANCE

design Daniel Rybakken

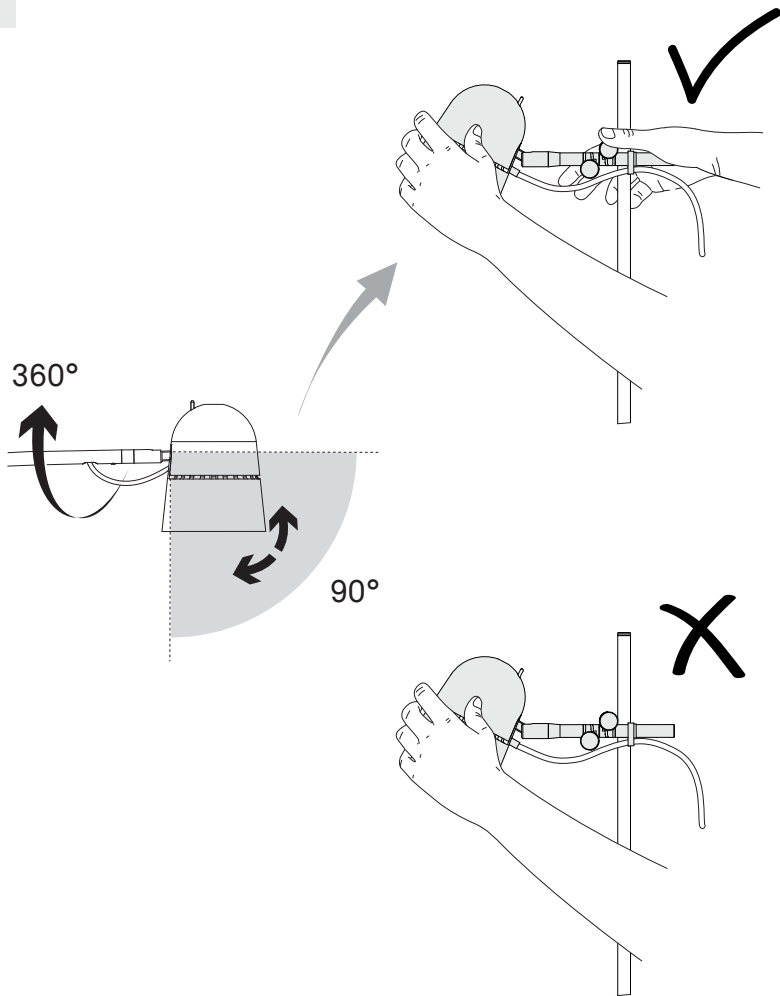
# 7



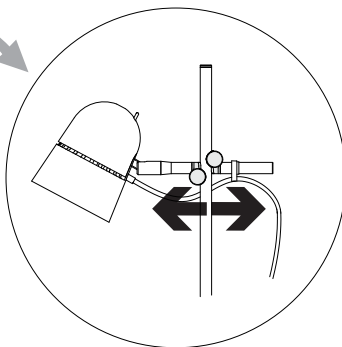
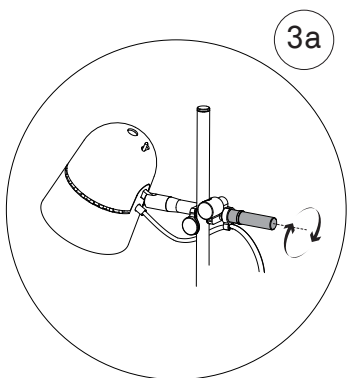
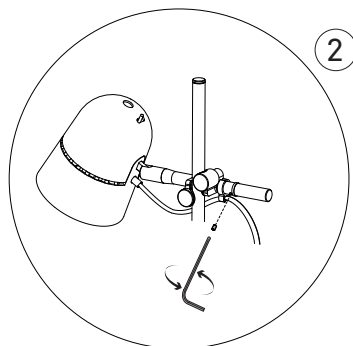
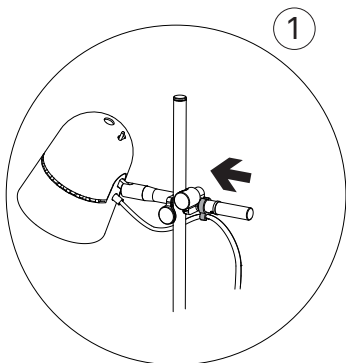
8



7

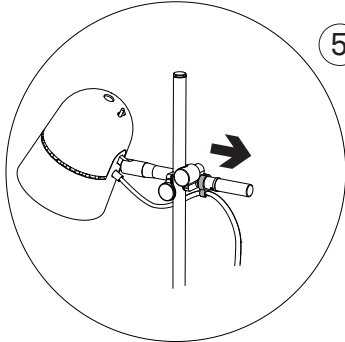
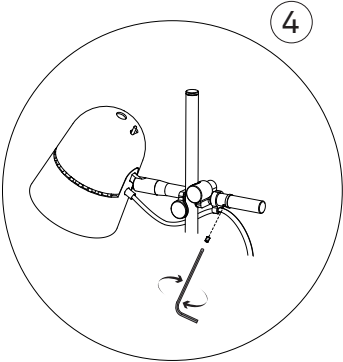
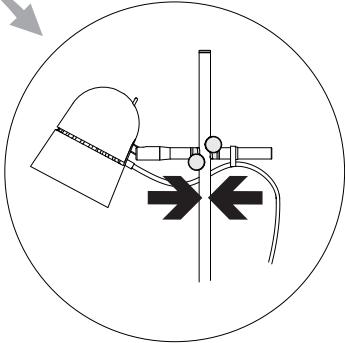
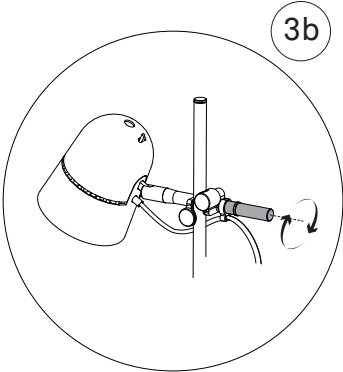


# 10



# COUNTERBALANCE

design Daniel Rybakken







[www.luceplan.com](http://www.luceplan.com)

D730|E203