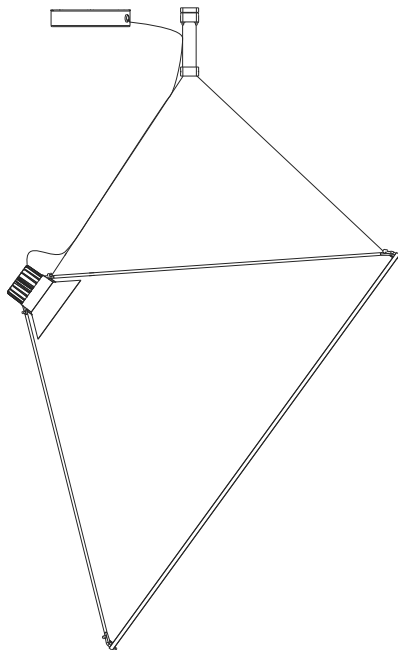


# AMISOL

design Daniel Ribakken

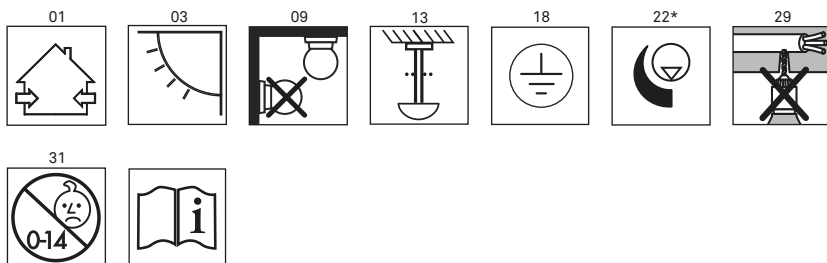


**LUCE  
PLAN**

D91



## D91

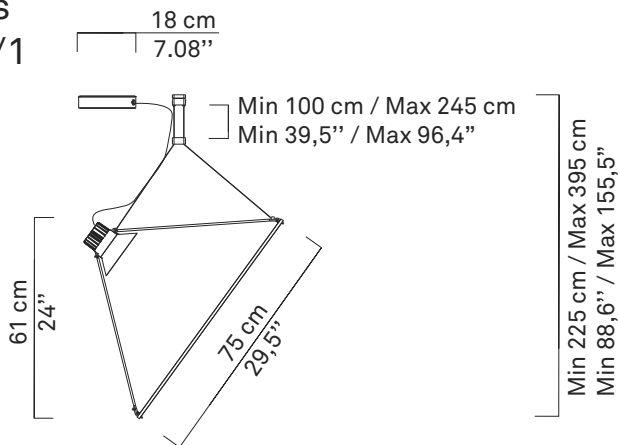


22\* Amisol drivers are suitable for use with 1-10 V

Les pilotes Amisol conviennent à une utilisation avec 1-10 V

Los drivers Amisol son adecuados para su uso con 1-10 V

D91s  
D91/1



x1



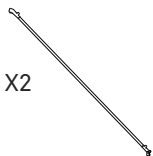
x 1



x 1



x 1



x2



x1



x 2

(3 m - 118")



x 1

⊙ x4



x4



x2



x2

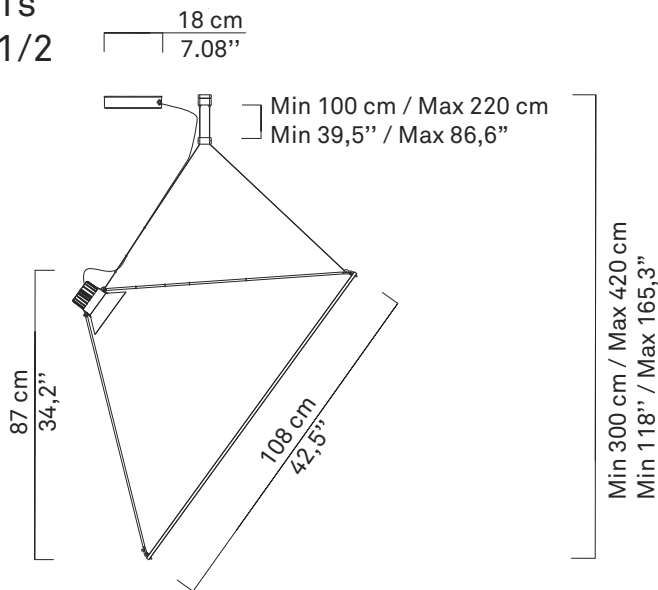


x 1

kg 2.5 kg

lb 5.51 lb

D91s  
D91/2



X1



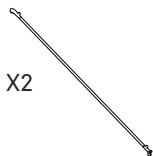
x 1



x 1



x 1



X2



X1



x 2

(3 m - 118")



x 1

⊙ X4



X4



X2



X2



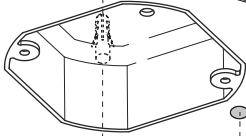
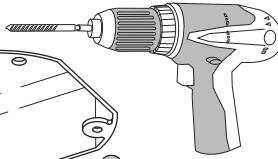
x 1

kg 3.05 kg lb 6.72 lb

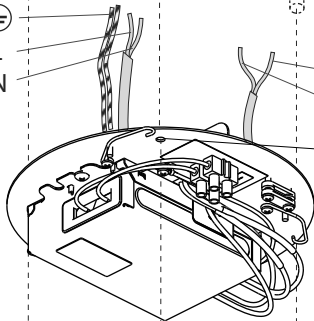
# 1

D91s  
D91/1  
D91/2

## 1.



⊕  
L  
N



+ Dim 0-10V  
-

Ø 5mm  
Ø 0,19"

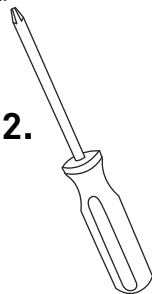
## 3.

⊕ yellow/green  
jaune/vert  
amarillo/verde

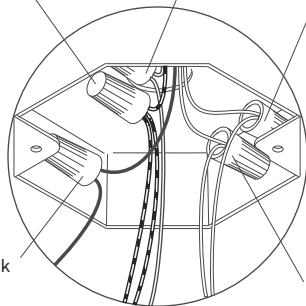
N white  
blanc  
blanco

Dim<sup>-</sup>

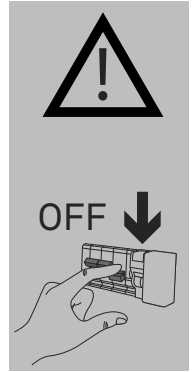
## 2.



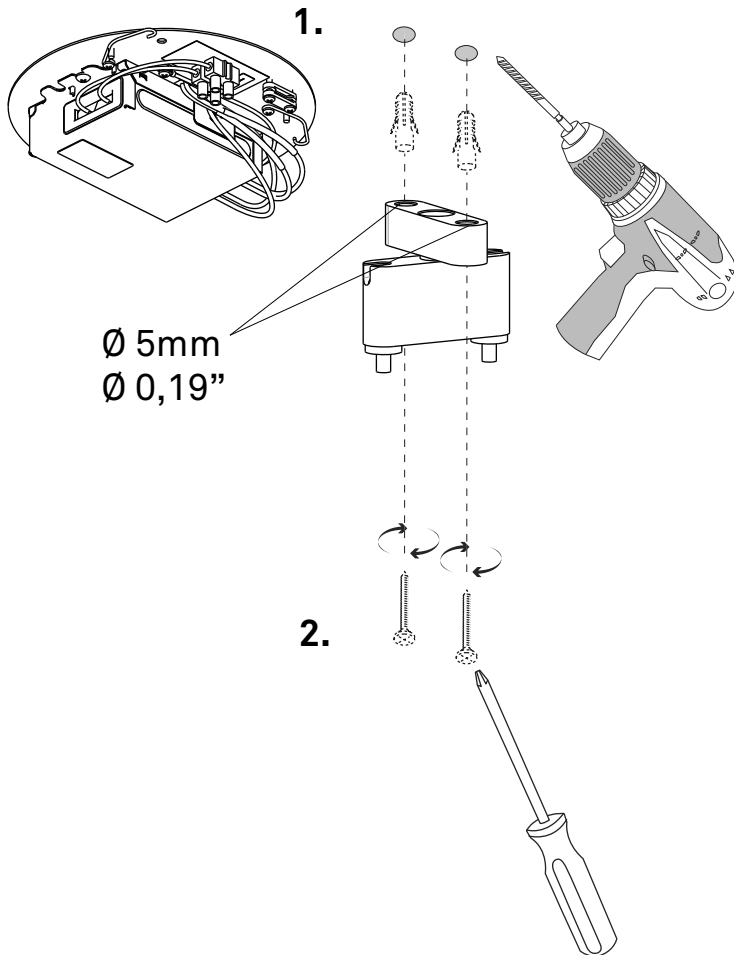
L black  
noir  
negro



Dim<sup>+</sup>

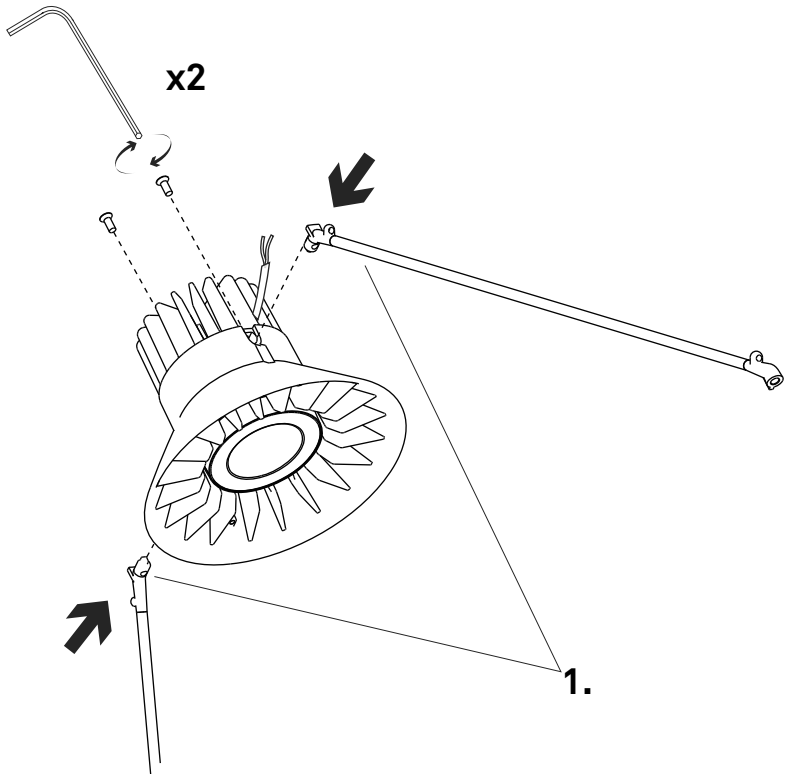


2

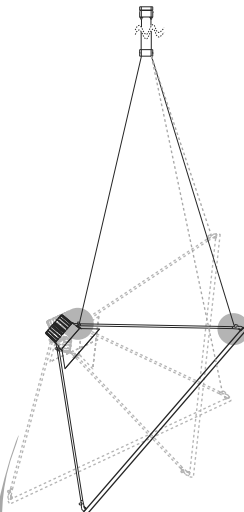


---

# 3

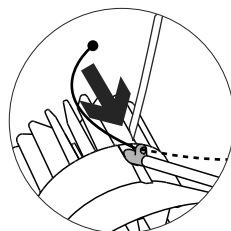
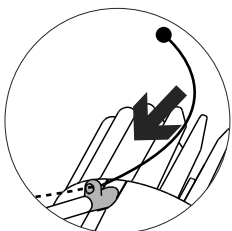
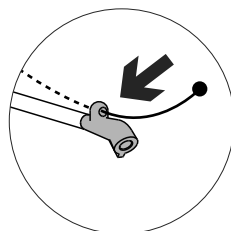
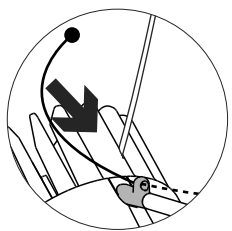


4



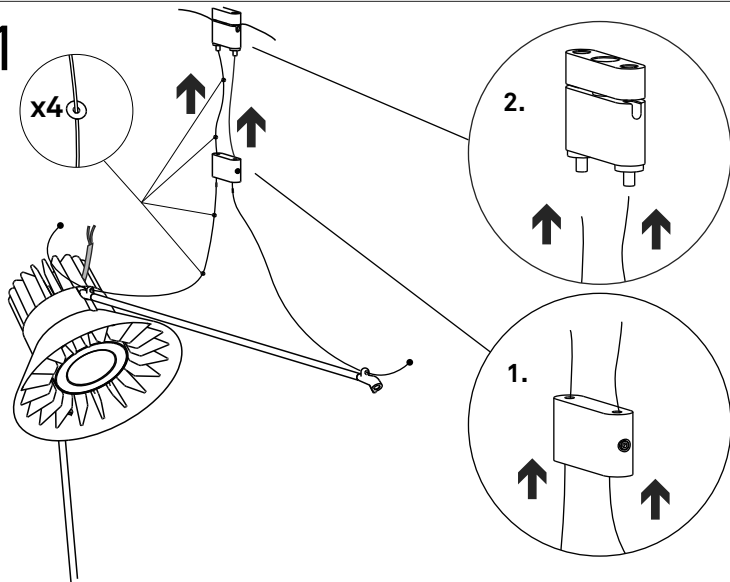
x 2

x 2

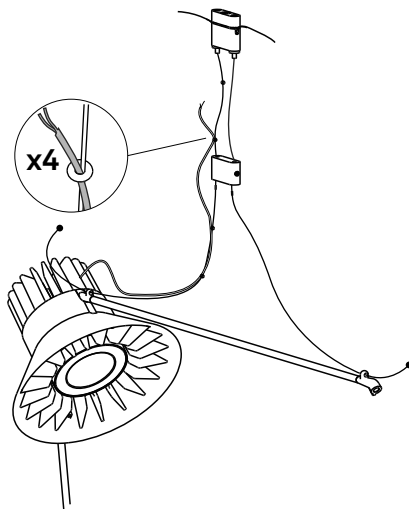




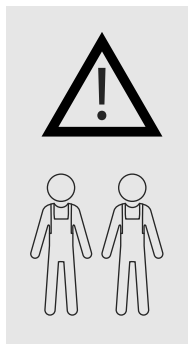
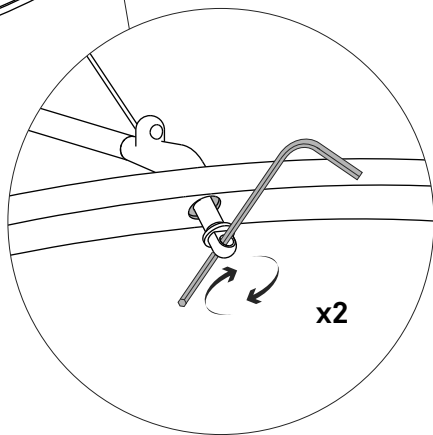
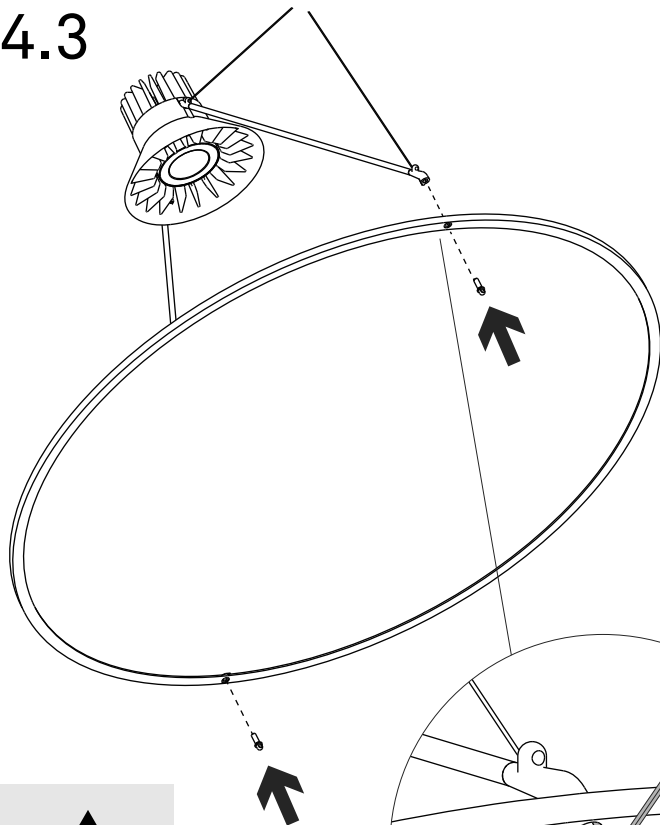
# 4.1



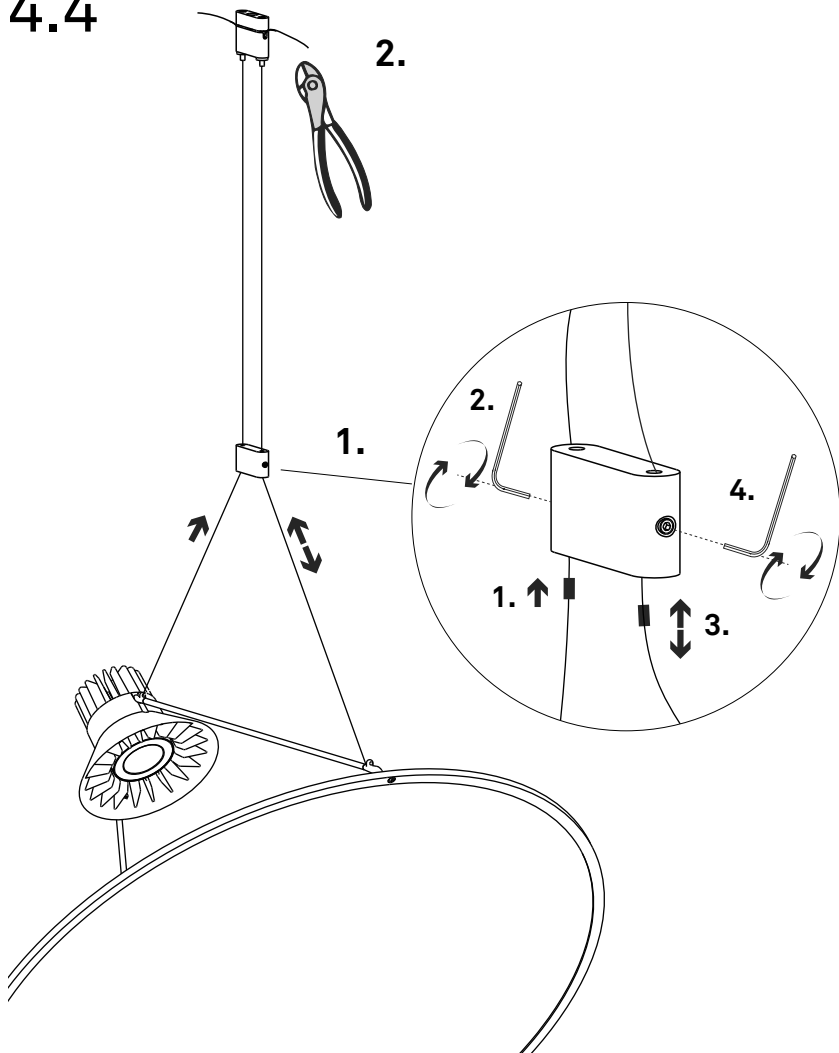
# 4.2



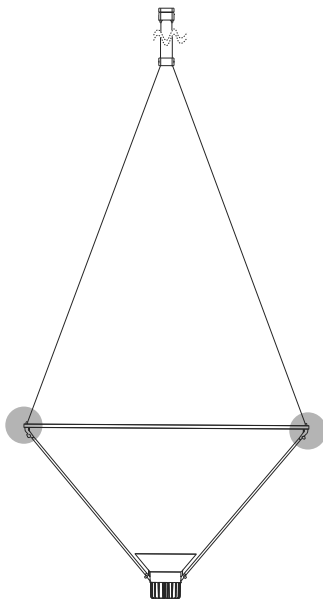
# 4.3



# 4.4



5

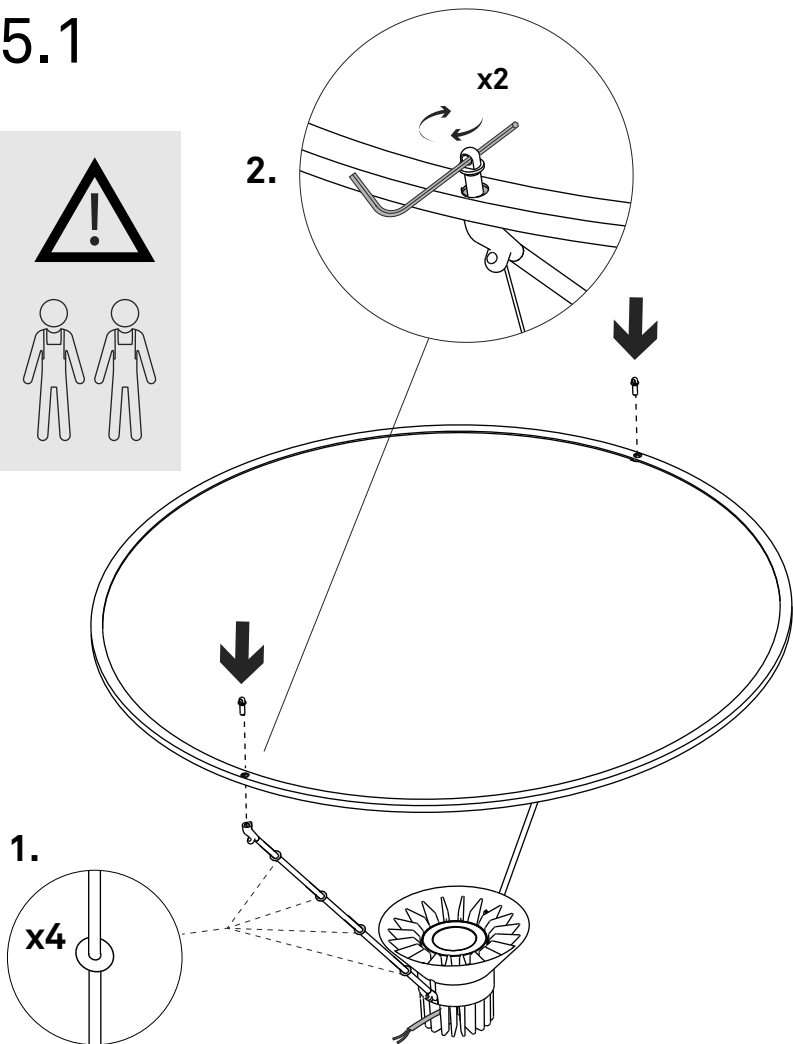


x 2

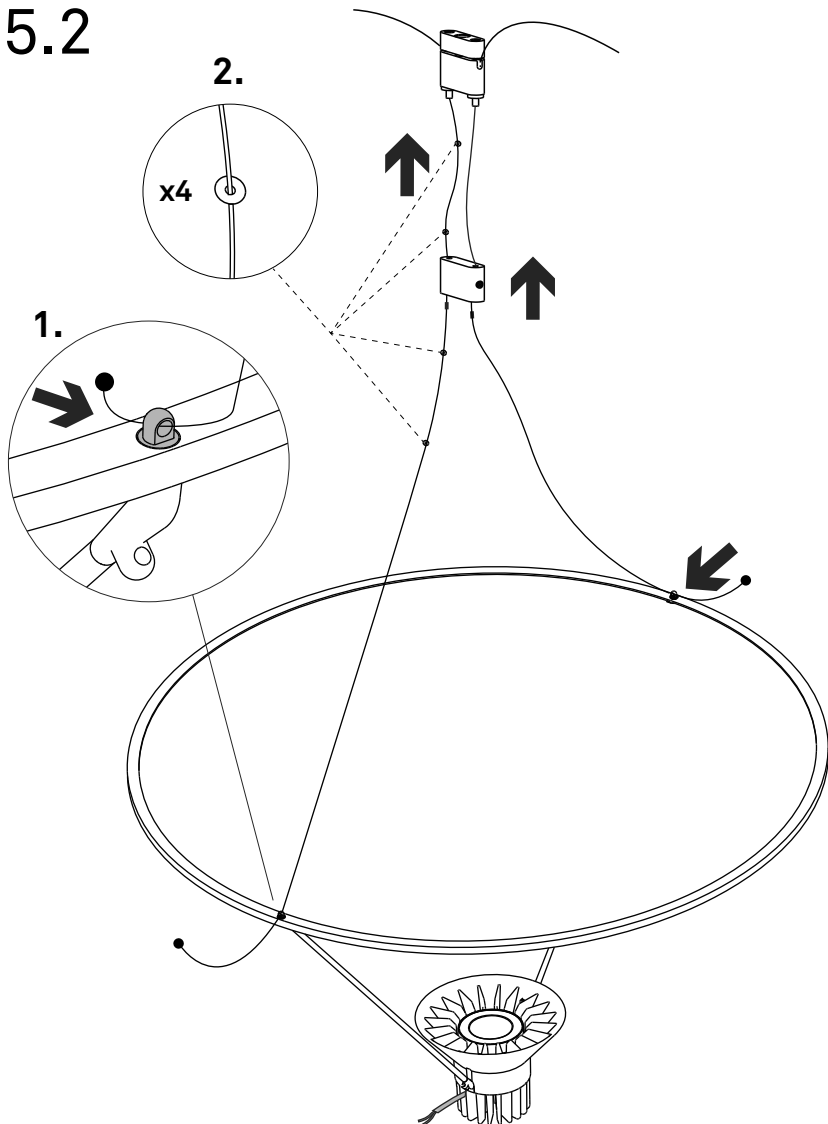


→ 3

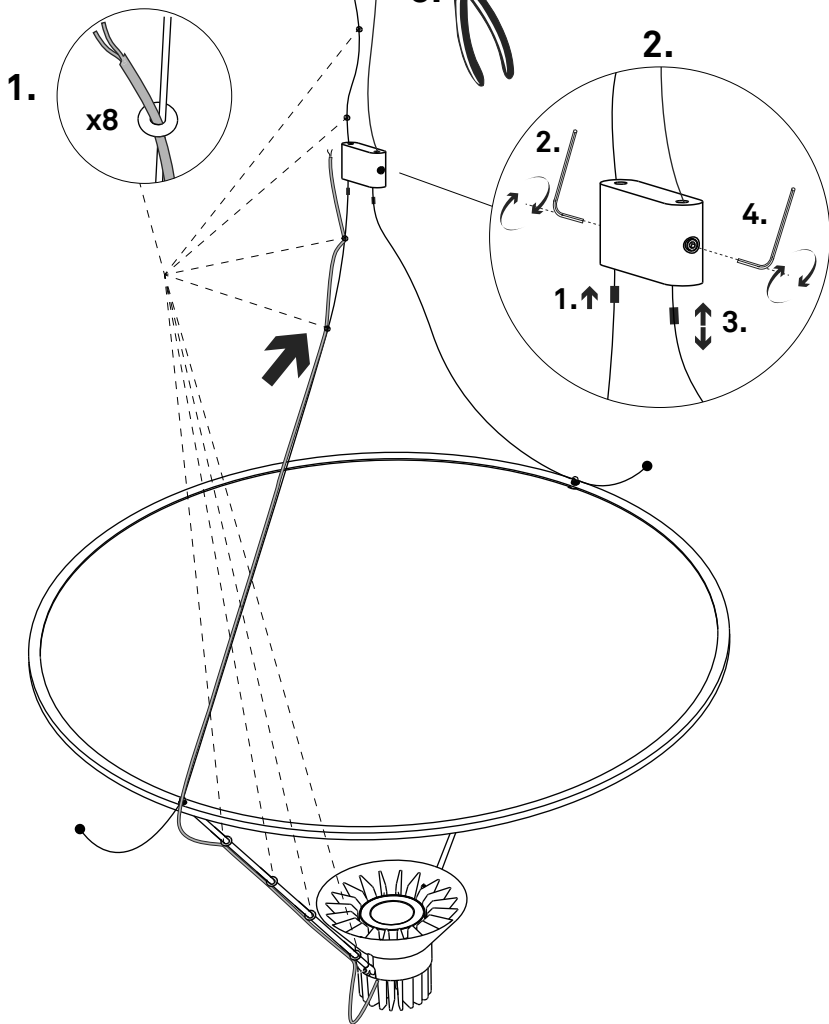
# 5.1



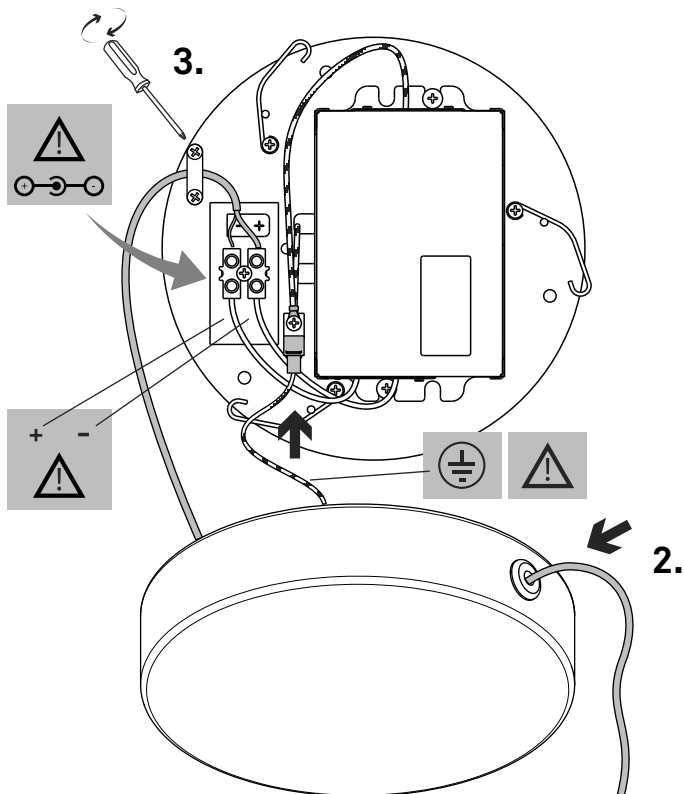
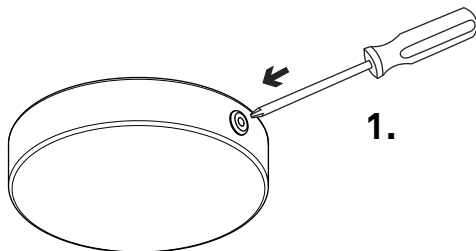
## 5.2



# 5.3

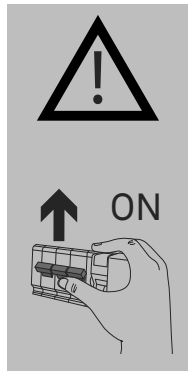
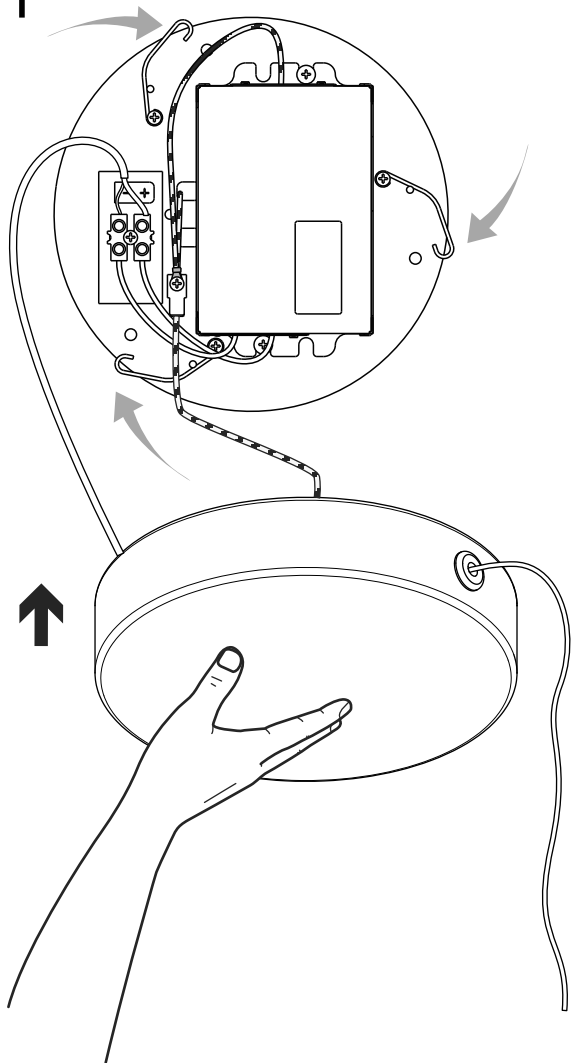


6





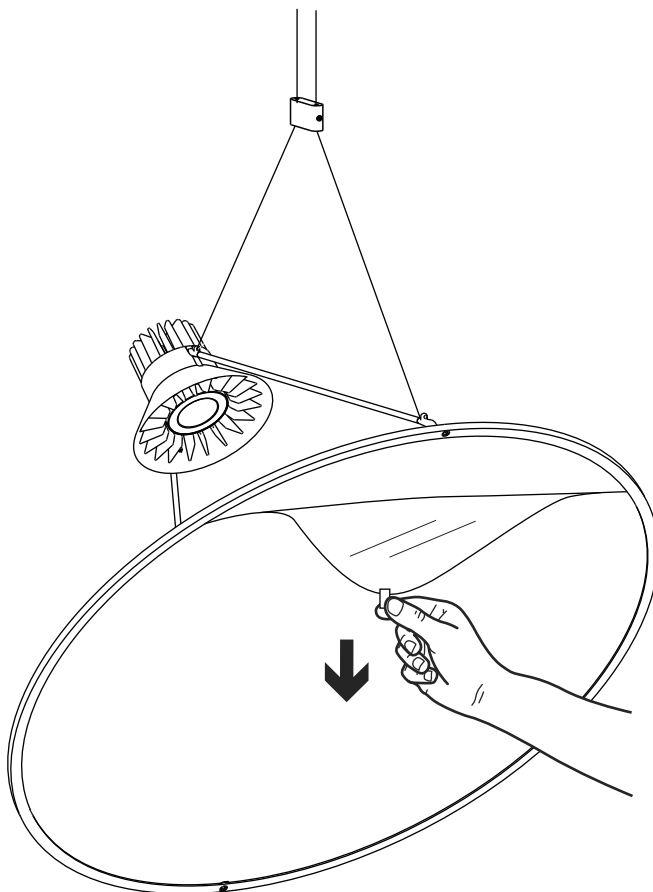
# 6.1



# 7

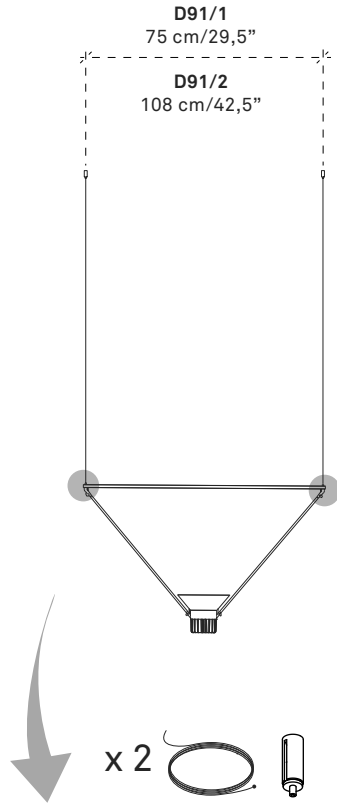
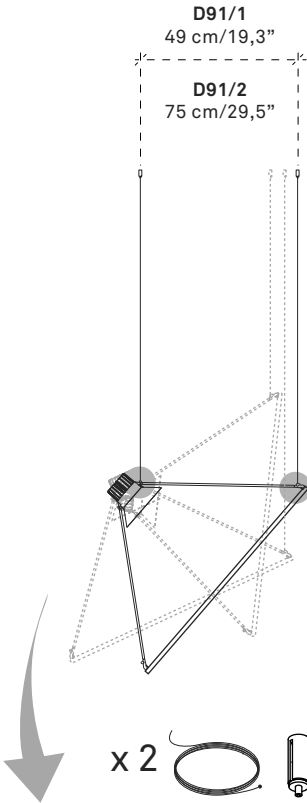


1D910/100020  
1D910/100030  
1D910/200020  
1D910/200030



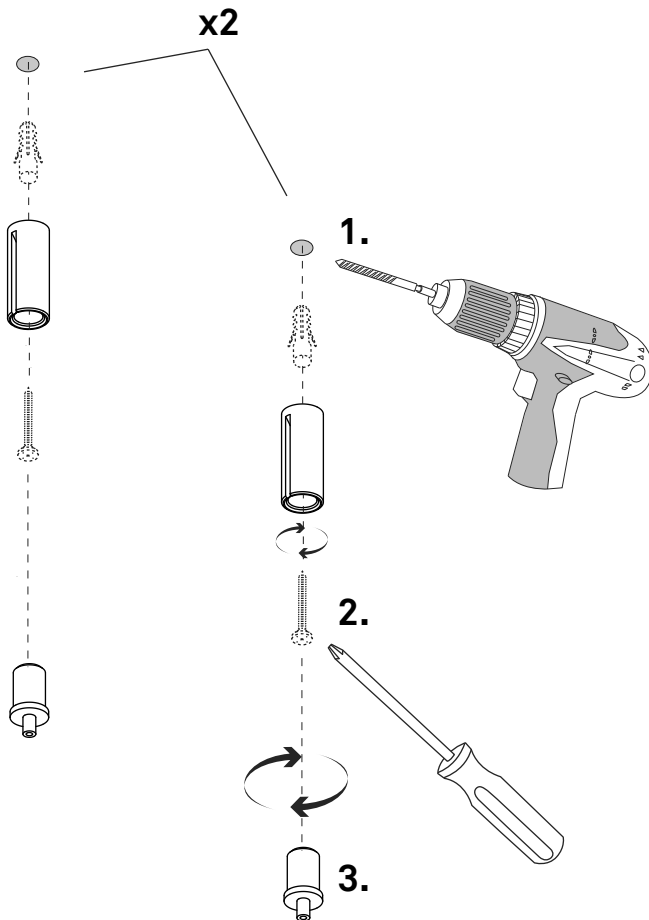
# 8

## D91/0AAR + D91s D91/1 D91/2

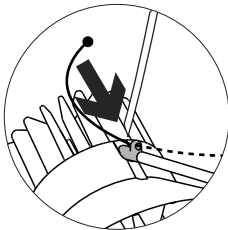
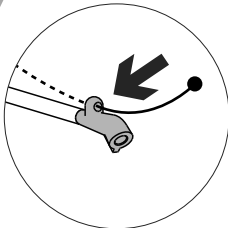
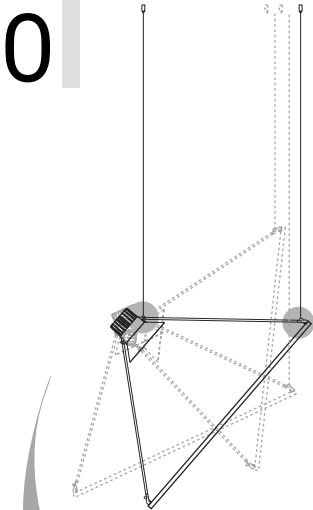


# → 3

9

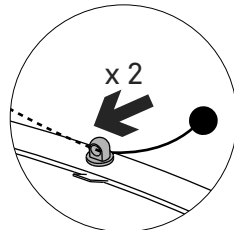
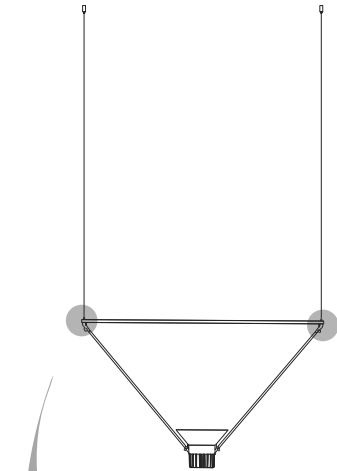


10



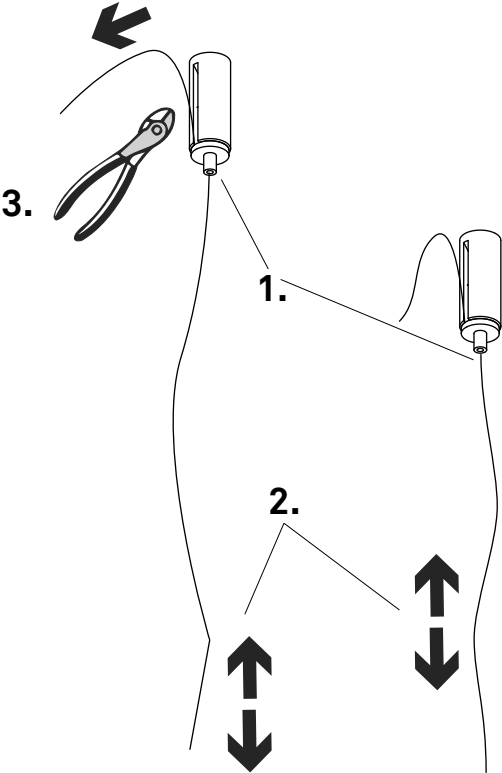
→1

→4.3

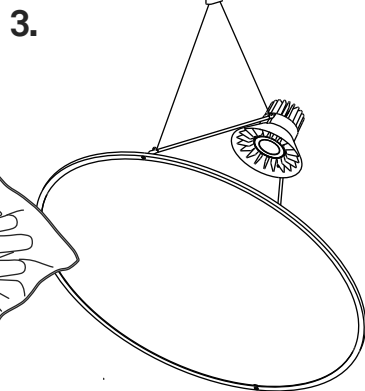
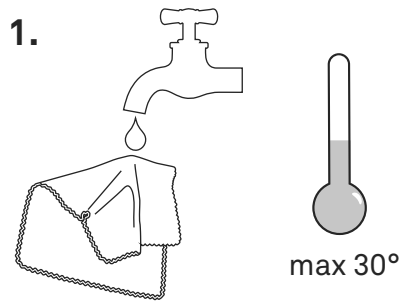
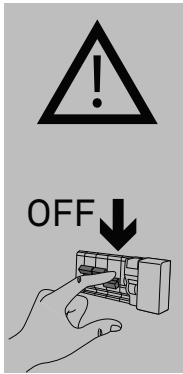


→1

→5.1



→6 | →6.1 | →7 |





[www.luceplan.com](http://www.luceplan.com)

D910/A101