

WOHLERT

Designed by Vilhelm Wohlert



Description

The fixture provides uniform, general and diffused illumination. The opening at the bottom of the glass produces downwards directed light. The quality of the glass ensures that the fixture is evenly lit.

Variants

VARIANT NUMBER	COLOR, RAL	W / H / L (IN) / W (LB)
10000124355	GLASS, 960	11.8 / 12.6 / 11.8 IN / 6.4 LB
10000124356	GLASS, 960	13.7 / 14.6 / 13.7 IN / 7.8 LB
10000124357	GLASS, 960	15.7 / 16.5 / 15.7 IN / 10.4 LB
10000149844	GLASS, 960	13.7 / 14.6 / 13.7 IN / 5.4 LB
10000149845	GLASS, 960	15.7 / 16.5 / 15.7 IN / 10.4 LB
10000149846	GLASS, 960	13.7 / 14.6 / 13.7 IN / 5.4 LB
10000149847	GLASS, 960	15.7 / 16.5 / 15.7 IN / 10.4 LB
10000149848	GLASS, 960	13.7 / 14.6 / 13.7 IN / 5.4 LB
10000149849	GLASS, 960	15.7 / 16.5 / 15.7 IN / 10.4 LB
10000149850	GLASS, 960	13.7 / 14.6 / 13.7 IN / 5.4 LB
10000149851	GLASS, 960	15.7 / 16.5 / 15.7 IN / 10.4 LB

Materials & Finishes

MATERIALS

Shade: Hand blown white opal glass. Pendant stem: Brushed steel.

louis poulsen

FINISHES

White opal glass.

Mounting

Canopy: White. Cord type: 3-conductor, 18 AWG white PVC power cord. Cord length: 12'. For mounting instructions, see download section on the product detail page.

Information

Electrical:

System Wattage: 22W - 44W

LED Wattage: 20 W - 42 W

Delivered lumens: 894 - 1,085 lm

Efficacy: 24.6 - 40.6 lm/W

Certifications:

cULus, Dry Location

Protection class IP20

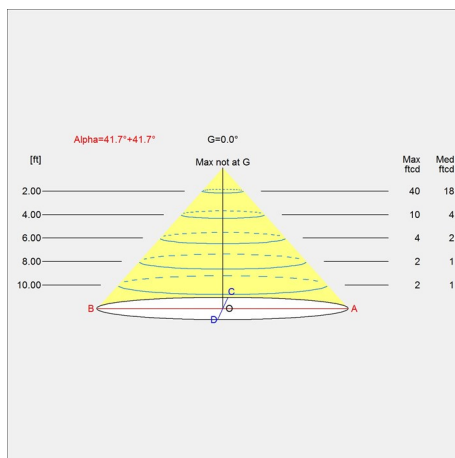
Controllability: Phase dimming or 0-10V dimming.

Color Rendering: $R_a \geq 90$ for LED variants.

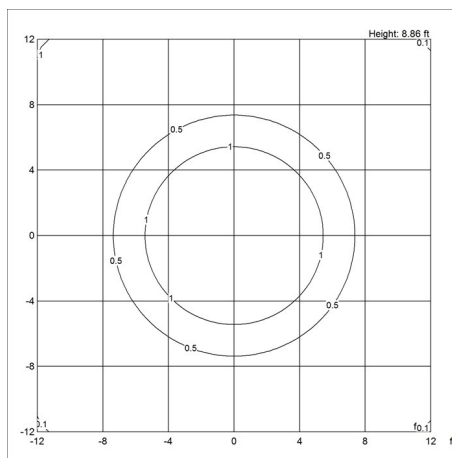
Performance dependent upon screw-base lamp used in socketed variants. For the E-socket product variants, bulbs are not included. LED light source is part of the product.

Light distribution diagrams

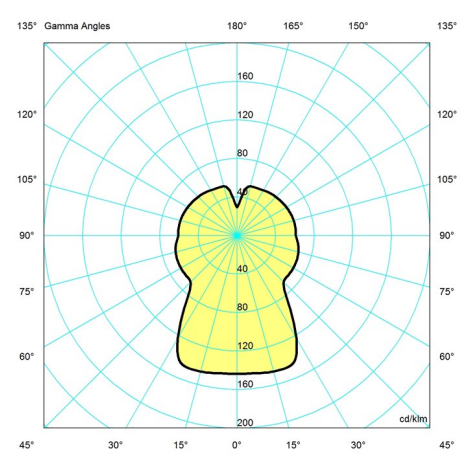
CARTESIAN



ISOLUX



POLAR



Variant Options

For particular variant options, please check our online Product Variants Configurator on the product detail page.

VARIANT NO.

LIGHT SOURCE

VOLTAGE/FRQ

LUMEN

FEATURES

CABLE

louis poulsen

10000124355	A-21/medium	120V	951	-	Wht
10000124356	A-21/medium	120V	951	-	Wht
10000124357	A-21/medium	120V	951	-	Wht
10000149844	LED 3000K	120-277V/60HZ	3587	Dim 0-10v	White textile
10000149845	LED 3000K	120-277V/60HZ	3617	Dim 0-10v	White textile
10000149846	LED 3000K	120V	3587	Phase dimming (mains dimm)	White textile
10000149847	LED 3000K	120V	3617	Phase dimming (mains dimm)	White textile
10000149848	LED 3000-1600K D2W	120-277V/60HZ	3955	Dim 0-10v	White textile
10000149849	LED 3000-1600K D2W	120-277V/60HZ	2981	Dim 0-10v	White textile
10000149850	LED 3000-1600K D2W	120V	3955	Phase dimming (mains dimm)	White textile
10000149851	LED 3000-1600K D2W	120V	2981	Phase dimming (mains dimm)	White textile

Specification Notes

- a. 11.8 IN available only in 22W/A-21/medium.
 - b. 13.7 IN available only in 22W/A-21/medium.
 - c. 15.7 IN available in 22W/A-21/medium or 44W LED.
 - d. Incandescent variants available only in 120V.
 - e. LED variants available with mains dimming at 120V or 0-10V dimming with 120-277V.
-