

## VL RING CROWN 1

Designed by Vilhelm Lauritzen

---



---

### Description

The pendant emits light directed primarily downwards. The opal glass provides a comfortable and uniform illumination of the area around the fixture.

---

### Variants

VARIANT NUMBER	COLOR, RAL	W / H / L (IN) / W (LB)
5741925423	BRASS/GLOSSY OPAL GLASS	7.5 / 13.5 / 7.5 IN / 3.4 LB

---

### Materials & Finishes

#### MATERIALS

Shades: Hand blown, 3-layered, polished opal glass. Suspension: Untreated brass, will patinate.

#### FINISHES

Glossy, hand blown white opal glass. Satin polished brass, untreated.

---

### Mounting

Mounting: Canopy: White. Cord type: 2-conductor, 18 AWG cloth-covered power cord. Cord length: 12 feet. For mounting instructions, see download section on the product detail page.

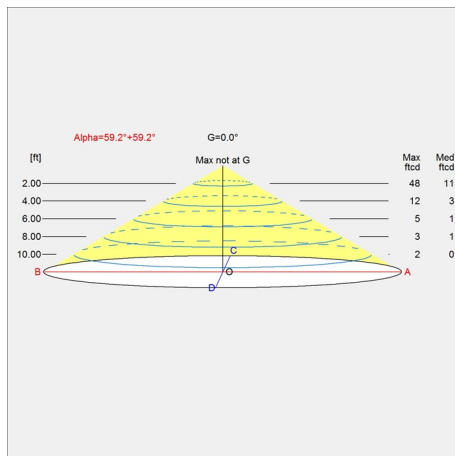
---

## Information

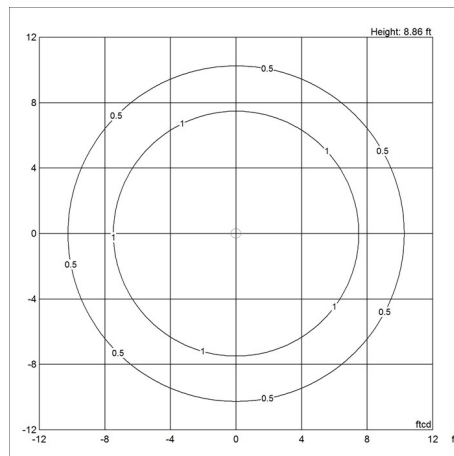
Electrical:  
 System Wattage: 15W  
 LED Wattage: 14 W  
 Delivered lumens: 936  
 Efficacy: 62.4 lm/W -  
 Certifications:  
 cULus, Dry Location  
 Protection class IP20  
 Controllability: Phase dimming  
 Actual performance dependent upon screw-base lamp used. For the E-socket product variants, bulbs are not included. LED light source is part of the product.

## Light distribution diagrams

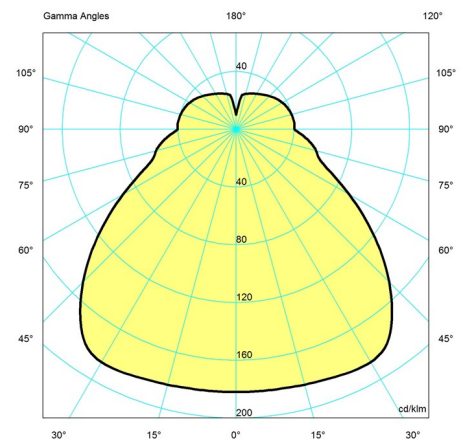
### CARTESIAN



### ISOLUX



### POLAR



## Variant Options

For particular variant options, please check our online Product Variants Configurator on the product detail page.

VARIANT NO.	LIGHT SOURCE	VOLTAGE/FRQ	LUMEN	FEATURES	CABLE
5741925423	A-19/ medium US	120V	936	-	White textile