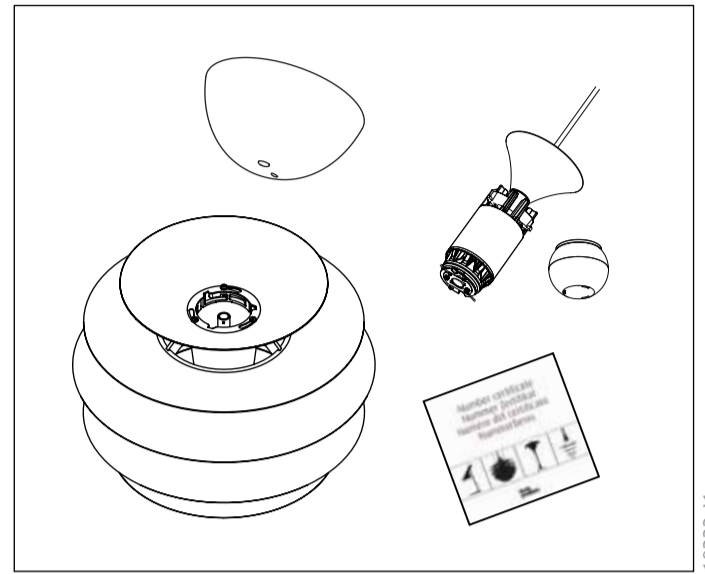
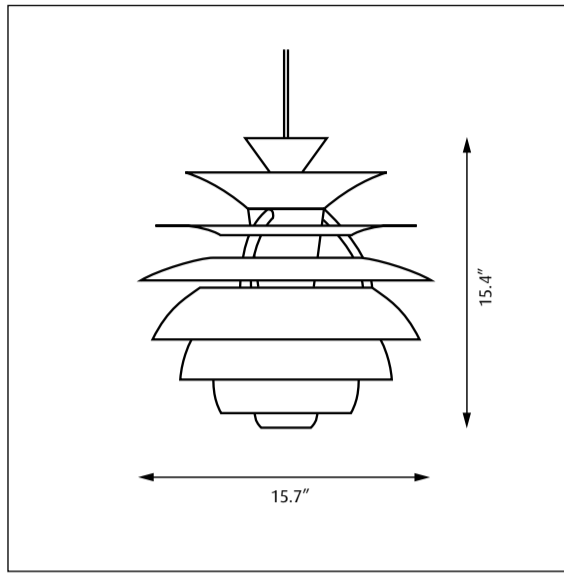


# PH Snowball LED

Design Poul Henningsen



18233-11


Light source	Voltage	Weight	Electric shock protection	Ingress protection
<b>LED</b>	<b>120 V</b>	<b>Max 9.9 Lbs</b>	<b>Cl. I</b>	<b>IP 20</b>

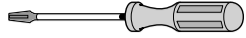
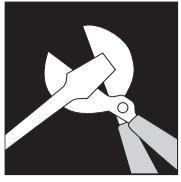
**Recommended cleaning substances:**

Wipe off dust with a dry, soft cloth. Remove greasy spots etc. with a soft cloth dampened in lukewarm water (<122° F/ 50° C) with a mild detergent. Never use detergents containing abrasives and solvents.

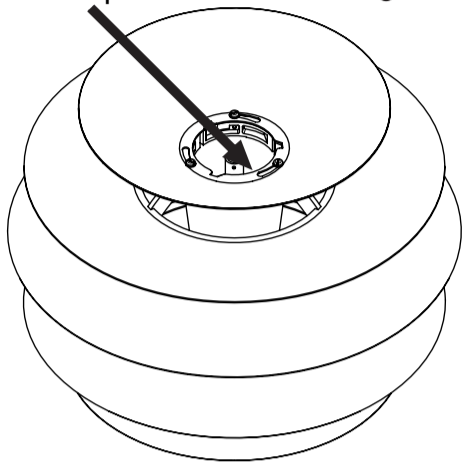
Warning: Scouring powder and similar substances will scratch surfaces.

All installation is subject to local code and jurisdiction. Consult a qualified electrician to ensure correct branch circuit conductor. The installer must ensure that the ceiling can support the luminaire's weight. The installer must if necessary reinforce the ceiling structure by adequate means.

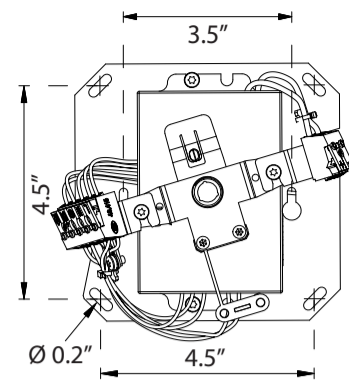
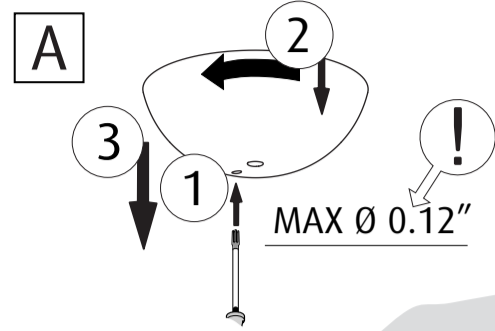
 Due to possibility of personal injury or property damage, always contact a qualified electrician for servicing or repair of this fixture. To avoid risk of electrical shock, personal injury, or death, disconnect power to fixture before servicing.



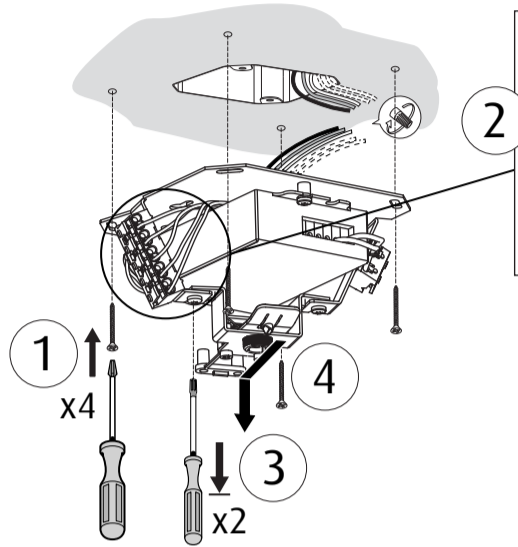
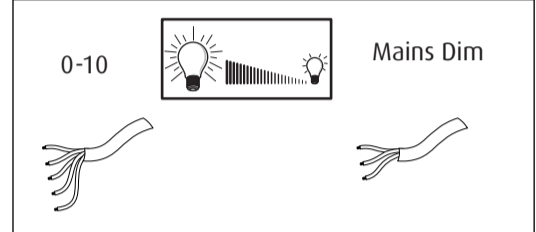
ID NUMBER: \_\_\_\_\_  
Please register ID number at [www.louispoulsen.com](http://www.louispoulsen.com)



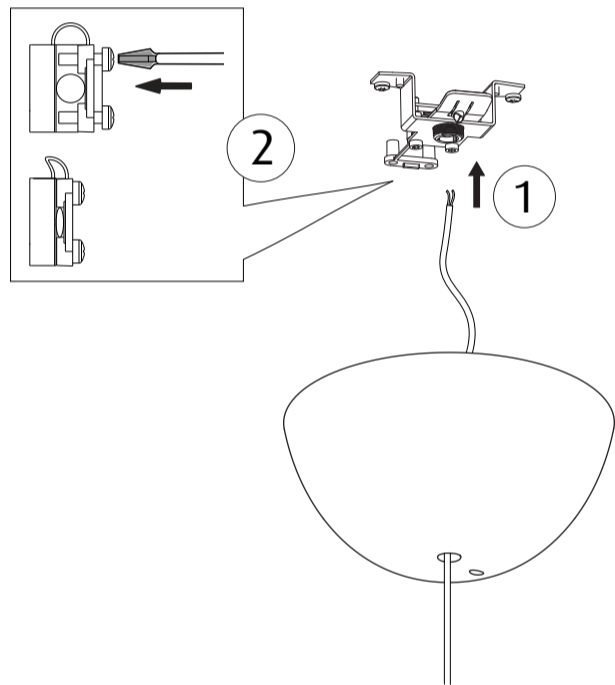
Canopy removal



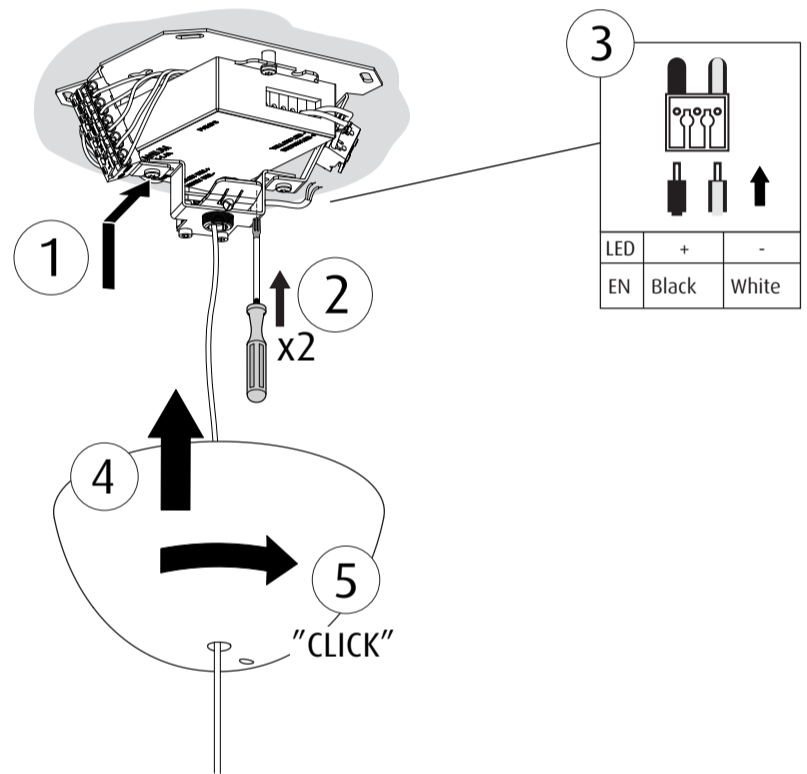
- Green (Ground)
  - White (Neutral)
  - Black (Line)
- For dimming wires use class 1 wiring methods:  
Grey (0-10V Dim -)  
Violet (0-10V Dim +)



**B**



**C**



**D**

