

PH ARTICHOKE

Designed by Poul Henningsen



Description

The fixture provides 100% glare-free light. The 72 precisely positioned leaves form 12 unique rows of six leaves each. They illuminate the fixture as well as emitting diffused light with a unique pattern. The fixture provides decorative and comfortable lighting. For the energy saving LED variant, the quality of light and atmosphere surrounding the product is kept at the highest level.

Variants

VARIANT NUMBER	COLOR, RAL	W / H / L (IN) / W (LB)
10000128780	BR ST STEEL, 955	28.3 / 25.6 / 28.3 IN / 43.2 LB
10000128781	COP LAC, 930	28.3 / 25.6 / 28.3 IN / 43.2 LB
10000128782	WHT, 081	28.3 / 25.6 / 28.3 IN / 43.2 LB
10000128783	BR ST STEEL, 955	33.1 / 28.3 / 33.1 IN / 58.4 LB
10000128784	COP LAC, 930	33.1 / 28.3 / 33.1 IN / 58.4 LB
10000128785	WHT, 081	33.1 / 28.3 / 33.1 IN / 58.4 LB
10000130393	BR ST STEEL, 955	23.6 / 22.8 / 23.6 IN / 35.9 LB
10000130395	COP LAC, 930	23.6 / 22.8 / 23.6 IN / 35.9 LB
10000130396	WHT, 081	23.6 / 22.8 / 23.6 IN / 37.2 LB
10000130397	BR ST STEEL, 955	23.6 / 22.8 / 23.6 IN / 35.9 LB
10000130399	COP LAC, 930	23.6 / 22.8 / 23.6 IN / 35.9 LB
10000130400	WHT, 081	23.6 / 22.8 / 23.6 IN / 35.9 LB
10000141065	BR ST STEEL, 955	28.3 / 25.6 / 28.3 IN / 43.2 LB
10000141076	COP LAC, 930	28.3 / 25.6 / 28.3 IN / 43.2 LB
10000141079	WHT, 081	28.3 / 25.6 / 28.3 IN / 43.2 LB

louis poulsen

10000141080	BR ST STEEL, 955	33.1 / 28.3 / 33.1 IN / 58.4 LB
10000141082	COP LAC, 930	33.1 / 28.3 / 33.1 IN / 58.4 LB
10000141084	WHT, 081	33.1 / 28.3 / 33.1 IN / 58.4 LB
10000144752	BRASS BRUS & COAT, 939	18.9 / 18.4 / 18.9 IN / 18.9 LB
10000144753	BRASS BRUS & COAT, 939	23.6 / 22.8 / 23.6 IN / 35.9 LB
10000144754	BRASS BRUS & COAT, 939	23.6 / 22.8 / 23.6 IN / 35.9 LB
10000144755	BRASS BRUS & COAT, 939	28.3 / 25.6 / 28.3 IN / 43.2 LB
10000144756	BRASS BRUS & COAT, 939	28.3 / 25.6 / 28.3 IN / 43.2 LB
10000144757	BRASS BRUS & COAT, 939	33.1 / 28.3 / 33.1 IN / 58.4 LB
10000144758	BRASS BRUS & COAT, 939	33.1 / 28.3 / 33.1 IN / 58.4 LB
10000146919	BLK, 776	18.9 / 18.4 / 18.9 IN / 18.9 LB
10000146921	BLK, 776	23.6 / 22.8 / 23.6 IN / 35.9 LB
10000146922	BLK, 776	28.3 / 25.6 / 28.3 IN / 43.2 LB
10000146923	BLK, 776	28.3 / 25.6 / 28.3 IN / 43.2 LB
10000146924	BLK, 776	33.1 / 28.3 / 33.1 IN / 58.4 LB
10000146925	BLK, 776	33.1 / 28.3 / 33.1 IN / 58.4 LB
10000149875	BR ST STEEL, 955	18.9 / 18.4 / 18.9 IN / 20.7 LB
10000149876	BRASS BRUS & COAT, 939	18.9 / 18.4 / 18.9 IN / 20.7 LB
10000149877	COP LAC, 930	18.9 / 18.4 / 18.9 IN / 20.7 LB
10000149879	WHT, 081	18.9 / 18.4 / 18.9 IN / 20.7 LB
10000149885	BR ST STEEL, 955	18.9 / 18.4 / 18.9 IN / 20.7 LB
10000149886	BRASS BRUS & COAT, 939	18.9 / 18.4 / 18.9 IN / 20.7 LB
10000149887	COP LAC, 930	18.9 / 18.4 / 18.9 IN / 20.7 LB
10000149889	WHT, 081	18.9 / 18.4 / 18.9 IN / 20.7 LB
10000149890	BR ST STEEL, 955	18.9 / 18.4 / 18.9 IN / 20.7 LB
10000149891	BRASS BRUS & COAT, 939	18.9 / 18.4 / 18.9 IN / 20.7 LB
10000149892	COP LAC, 930	18.9 / 18.4 / 18.9 IN / 20.7 LB
10000149894	WHT, 081	18.9 / 18.4 / 18.9 IN / 20.7 LB
10000151297	BLACK	23.6 / 22.8 / 23.6 IN / 35.9 LB
10000151298	BLK, 776	18.9 / 18.4 / 18.9 IN / 20.7 LB
10000151300	BLK, 776	18.9 / 18.4 / 18.9 IN / 20.7 LB
10000151301	BLK, 776	18.9 / 18.4 / 18.9 IN / 20.7 LB
5847901263	WHT, 081	18.9 / 18.4 / 18.9 IN / 18.9 LB
5847901266	BR ST STEEL, 955	18.9 / 18.4 / 18.9 IN / 18.9 LB
6149904759	COP LAC, 930	18.9 / 18.4 / 18.9 IN / 18.9 LB

Materials & Finishes

MATERIALS

Leaves: Punched brass, punched copper or laser cut stainless steel.

Top shade: White, spun steel.

Frame: High luster chrome plated, laser cut steel.

Suspension: High lustre chrome plated, spun aluminum.

FINISHES

Brass, copper or stainless steel, brushed and coated.

Black, powder coated with white, wet painted inner side.

White, wet painted.

Mounting

Mounting: Suspension type: 3x stainless steel aircraft cables. Suspension length: 12'.

Canopy: White. Cord type: 3-conductors (non-LED) / 2-conductors (LED), 18 AWG white PVC power cord. Cord color: white cord. Cord length: 12'. For mounting instructions, see

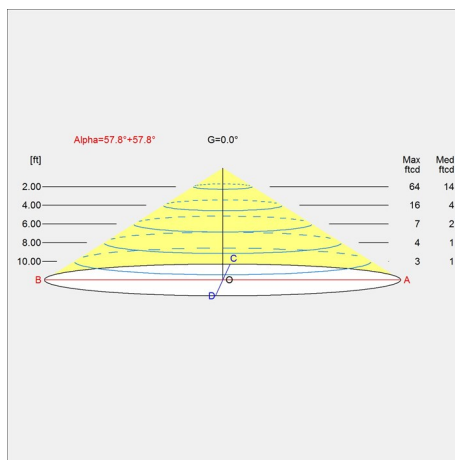
download section on the product detail page.

Information

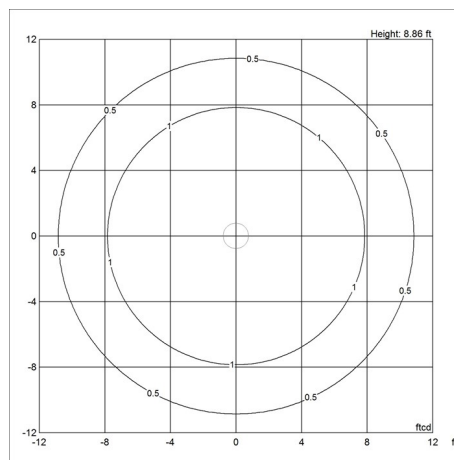
Electrical:
 System Wattage: 96W (LED); 200W (INC)
 LED Wattage: 184 W or 88 W
 Delivered lumens: 615 - 3,681
 Efficacy: 3.1 lm/W - 38.3 lm/W
 Certifications:
 cULus, Damp Location
 Protection class IP20
 Controllability: 0-10V Dimming (LED variants); Phase dimming (incandescent variants)
 Color Rendering: Ra≥90 for LED variants.
 Performance dependent upon screw-base lamp used in socketed variants. For the E-socket product variants, bulbs are not included. LED light source is part of the product.

Light distribution diagrams

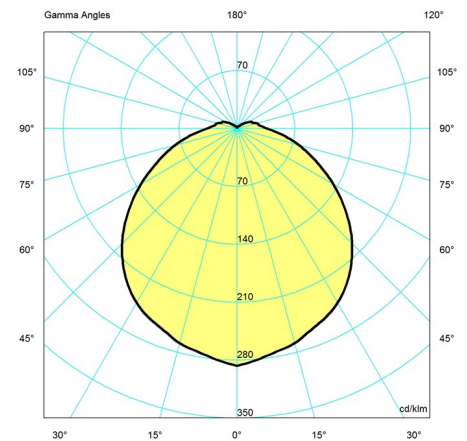
CARTESIAN



ISOLUX



POLAR



Variant Options

For particular variant options, please check our online Product Variants Configurator on the product detail page.

VARIANT NO.	LIGHT SOURCE	VOLTAGE/FRQ	LUMEN	FEATURES	CABLE
10000128780	LED 3000K	120-277V/60HZ	2736	Dim 0-10v	Wht
10000128781	LED 3000K	120-277V/60HZ	3152	Dim 0-10v	Wht
10000128782	LED 3000K	120-277V/60HZ	3681	Dim 0-10v	Wht
10000128783	LED 3000K	120-277V/60HZ	2736	Dim 0-10v	Wht
10000128784	LED 3000K	120-277V/60HZ	3152	Dim 0-10v	Wht
10000128785	LED 3000K	120-277V/60HZ	3681	Dim 0-10v	Wht
10000130393	LED 2700K	120-277V/60HZ	2387	Dim 0-10v	Wht
10000130395	LED 2700K	120-277V/60HZ	2621	Dim 0-10v	Wht

louis poulsen

10000130396	LED 2700K	120-277V/60HZ	3631	Dim 0-10v	Wht
10000130397	LED 3000K	120-277V/60HZ	2484	Dim 0-10v	Wht
10000130399	LED 3000K	120-277V/60HZ	2726	Dim 0-10v	Wht
10000130400	LED 3000K	120-277V/60HZ	3777	Dim 0-10v	Wht
10000141065	LED 2700K (ra90)	120-277V/60HZ	2630	Dim 0-10v	Wht
10000141076	LED 2700K (ra90)	120-277V/60HZ	3030	Dim 0-10v	Wht
10000141079	LED 2700K (ra90)	120-277V/60HZ	3538	Dim 0-10v	Wht
10000141080	LED 2700K (ra90)	120-277V/60HZ	2630	Dim 0-10v	Wht
10000141082	LED 2700K (ra90)	120-277V/60HZ	3030	Dim 0-10v	Wht
10000141084	LED 2700K (ra90)	120-277V/60HZ	3538	Dim 0-10v	Wht
10000144752	A-23W/IF medium	120V	754	-	Wht
10000144753	LED 2700K (ra90)	120-277V/60HZ	2621	Dim 0-10v	Wht
10000144754	LED 3000K (ra90)	120-277V/60HZ	2726	Dim 0-10v	Wht
10000144755	LED 2700K (ra90)	120-277V/60HZ	3030	Dim 0-10v	Wht
10000144756	LED 3000K (ra90)	120-277V/60HZ	3152	Dim 0-10v	Wht
10000144757	LED 2700K (ra90)	120-277V/60HZ	3152	Dim 0-10v	Wht
10000144758	LED 3000K (ra90)	120-277V/60HZ	3030	Dim 0-10v	Wht
10000146919	A-23W/IF medium	120V	615	-	Wht
10000146921	LED 3000K	120-277V/60HZ	2119	Dim 0-10v	Wht
10000146922	LED 2700K	120-277V/60HZ	3362	Dim 0-10v	Wht
10000146923	LED 3000K	120-277V/60HZ	3362	Dim 0-10v	Wht
10000146924	LED 2700K	120-277V/60HZ	3362	Dim 0-10v	Wht
10000146925	LED 3000K	120-277V/60HZ	3362	Dim 0-10v	Wht
10000149875	LED 3000K	120-277V/60HZ	971	Dim 0-10v	Wht
10000149876	LED 3000K	120-277V/60HZ	971	Dim 0-10v	Wht
10000149877	LED 3000K	120-277V/60HZ	1085	Dim 0-10v	Wht
10000149879	LED 3000K	120-277V/60HZ	1466	Dim 0-10v	Wht
10000149885	LED 3000-1600K D2W	120-277V/60HZ	800	Dim 0-10v	Wht
10000149886	LED 3000-1600K D2W	120-277V/60HZ	800	Dim 0-10v	Wht
10000149887	LED 3000-1600K D2W	120-277V/60HZ	894	Dim 0-10v	Wht
10000149889	LED 3000-1600K D2W	120-277V/60HZ	1208	Dim 0-10v	Wht
10000149890	LED 3000-1600K D2W	120V	800	Phase dimming (mains dimm)	Wht
10000149891	LED 3000-1600K D2W	120V	800	Phase dimming (mains dimm)	Wht
10000149892	LED 3000-1600K D2W	120V	894	Phase dimming (mains dimm)	Wht
10000149894	LED 3000-1600K D2W	120V	1208	Phase dimming (mains dimm)	Wht
10000151297	LED 2700K	120-277V/60HZ	2037	Dim 0-10v	Wht
10000151298	LED 3000K	120-277V/60HZ	779	Dim 0-10v	Wht
10000151300	LED 3000-1600K D2W	120-277V/60HZ	641	Dim 0-10v	Wht
10000151301	LED 3000-1600K D2W	120V	641	Phase dimming (mains dimm)	Wht
5847901263	A-23/CL medium	120V	979	-	Wht
5847901266	A-23/CL medium	120V	703	-	Wht
6149904759	A-23/CL medium	120V	755	-	Wht

Specification Notes

- 18.9" available in 200W incandescent or 44W LED.
- 23.6", 28.3" and 33.1" available only in 96W LED.
- Incandescent variants available only in 120V.
- LED variants available only in 120-277V with 0-10V dimming.