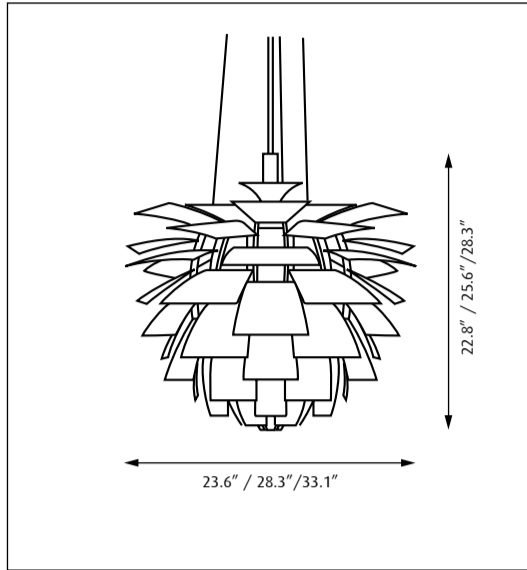


# PH Artichoke LED

Design Poul Henningsen



17725-11

Light source	Voltage	Weight - Metal Frame	Weight - Glass Frame	Electric shock protection	Ingress protection
<b>23.6\"/&gt;</b>	<b>120V-277V</b>	<b>Max 41 Lbs</b>	<b>Max 44 Lbs</b>	<b>Cl. I</b>	<b>IP 20</b>
<b>28.3\"/&gt;</b>	<b>120V-277V</b>	<b>Max 44 Lbs</b>	<b>Max 55 Lbs</b>	<b>Cl. I</b>	<b>IP 20</b>
<b>33.1\"/&gt;</b>	<b>120V-277V</b>	<b>Max 61 Lbs</b>	<b>Max 73 Lbs</b>	<b>Cl. I</b>	<b>IP 20</b>

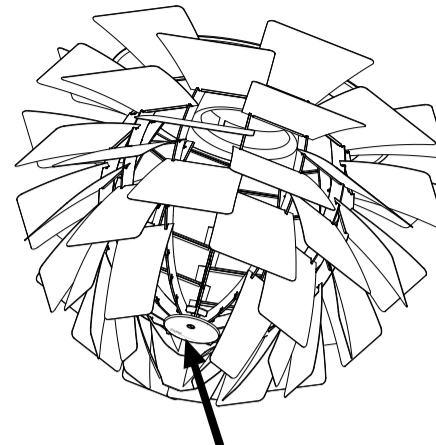
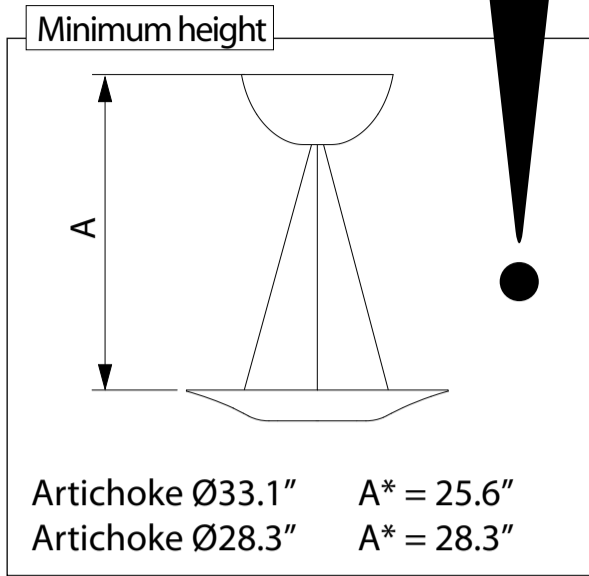
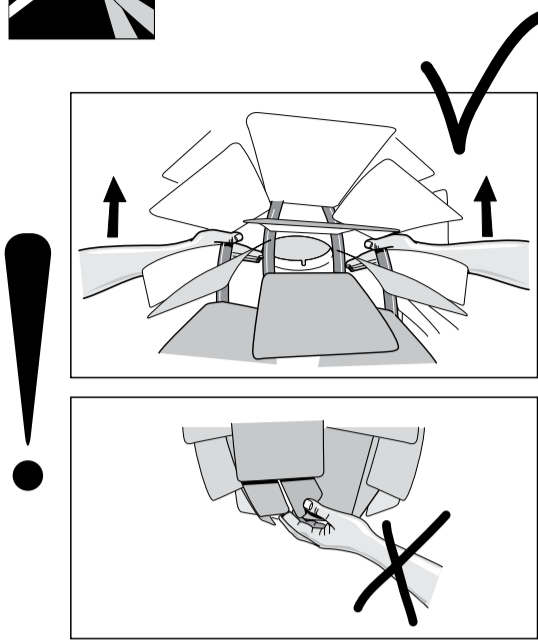
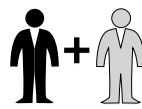
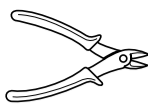
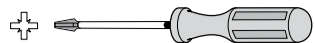
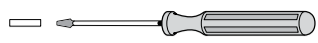
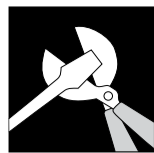
The luminaire may only be lifted/carried by the wire and never by the cable!

Recommended cleaning substances:

Wipe off dust with a dry, soft cloth. Remove greasy spots etc. with a soft cloth dampened in lukewarm water (<122° F/ 50° C) with a mild detergent.

Warning: Scouring powder and similar substances will scratch surfaces.

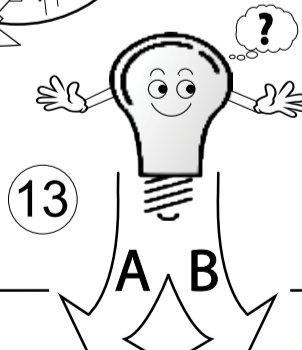
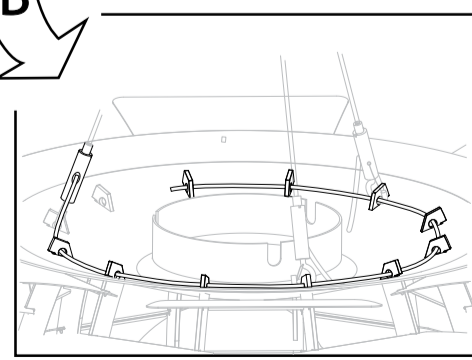
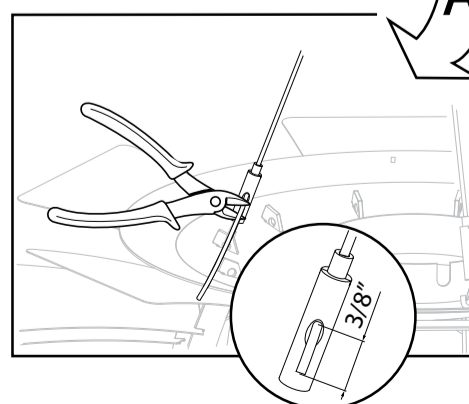
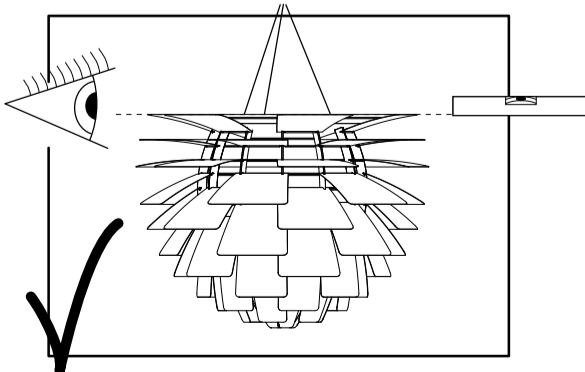
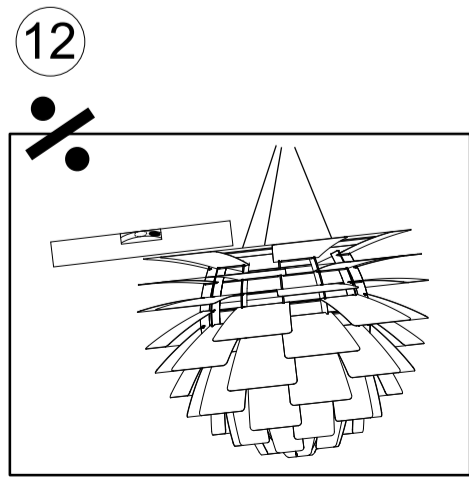
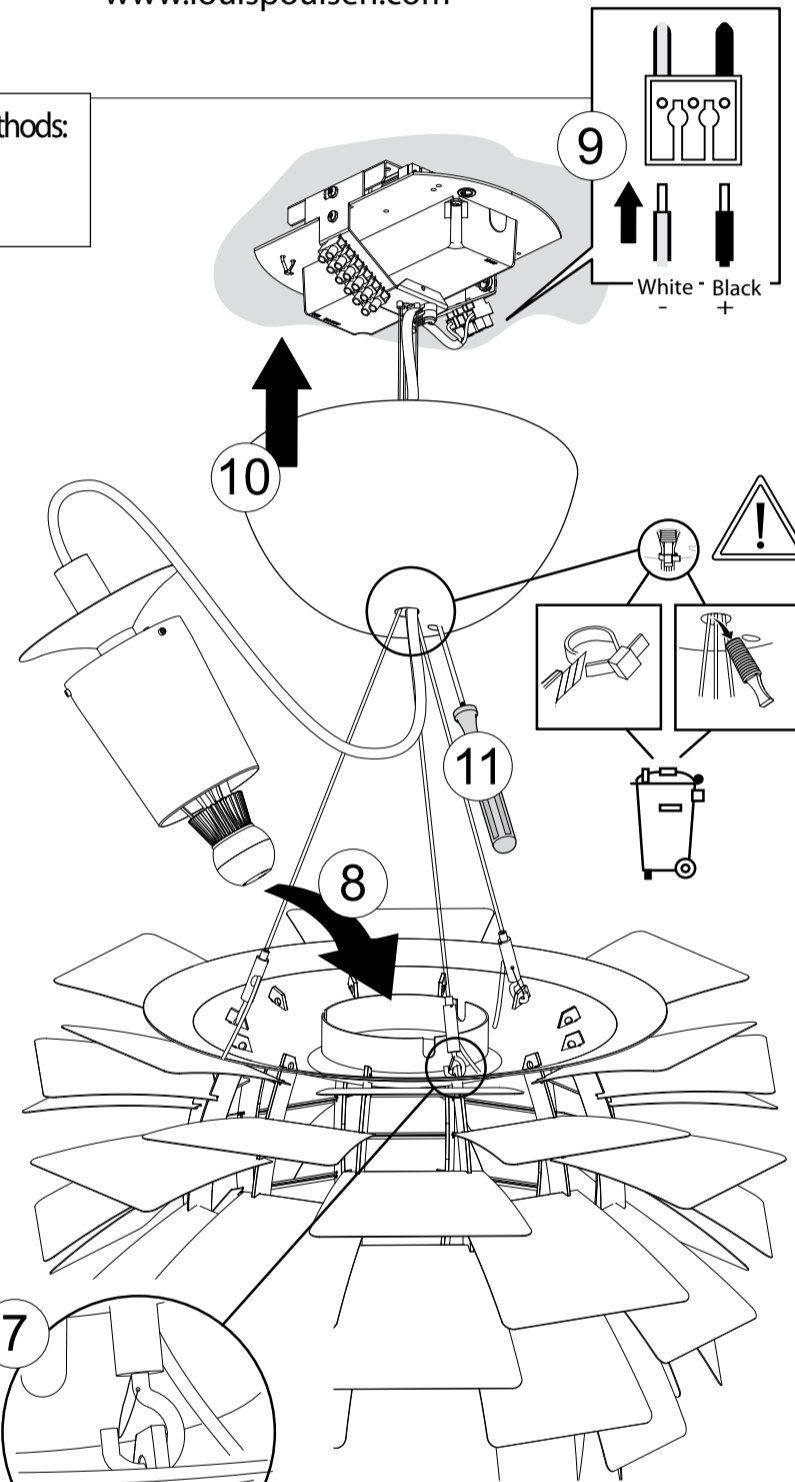
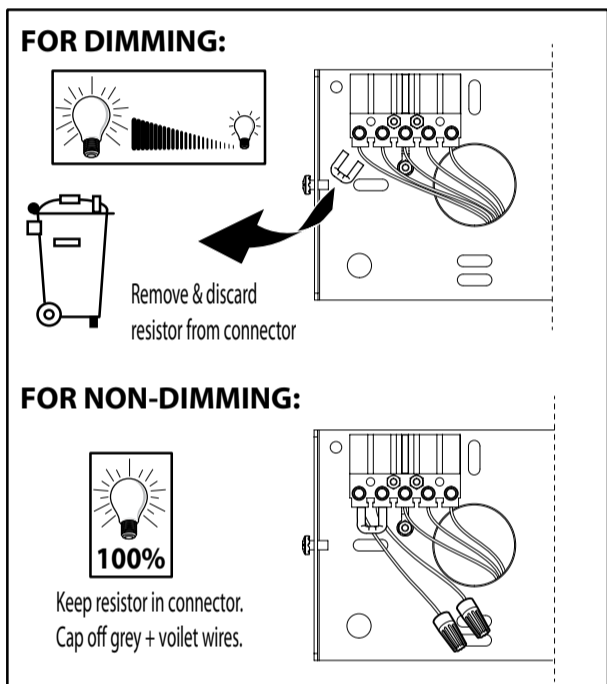
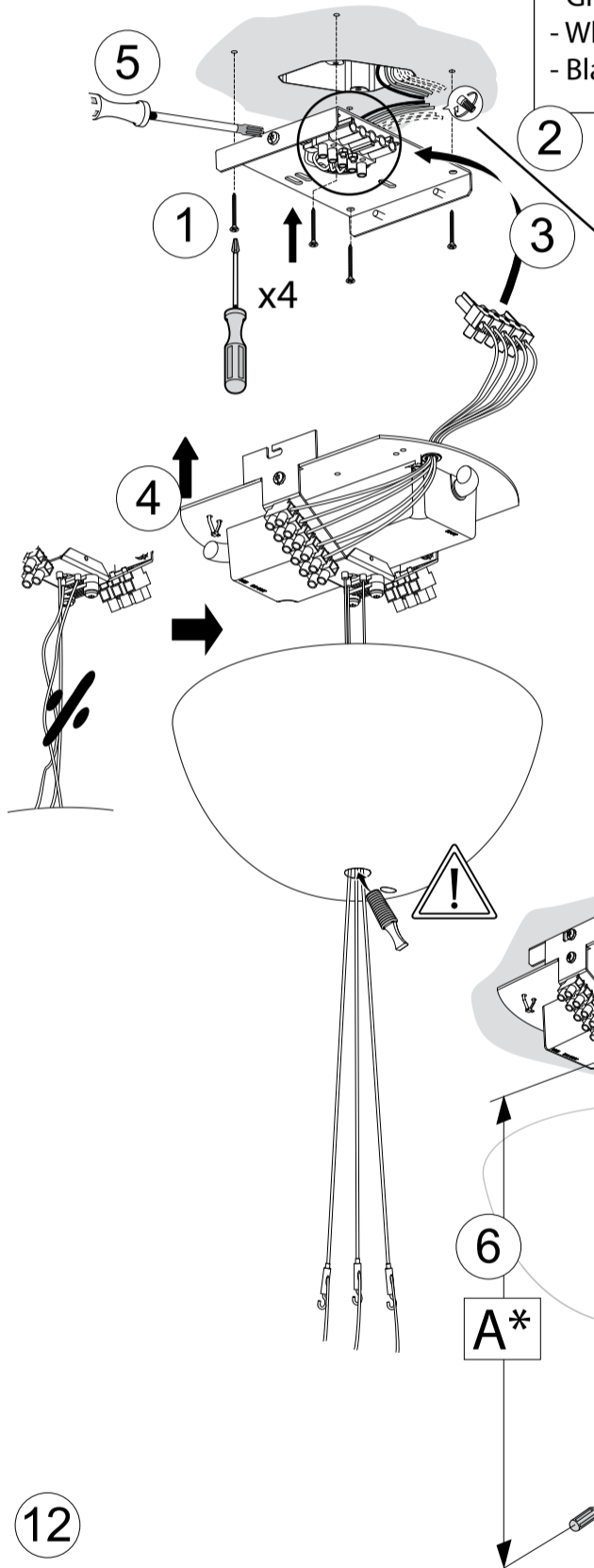
All installation is subject to local code and jurisdiction. Consult a qualified electrician to ensure correct branch circuit conductor. The installer must ensure that the ceiling can support the luminaire's weight. The installer must if necessary reinforce the ceiling structure by adequate means.



ID NUMBER: \_\_\_\_\_

Please register ID number at [www.louispuolsen.com](http://www.louispuolsen.com)

- Green (Ground) For dimming wires use class 1 wiring methods:
- White (Neutral) Grey (0-10V Dim -)
- Black (Line) Violet (0-10V Dim +)



13 A B