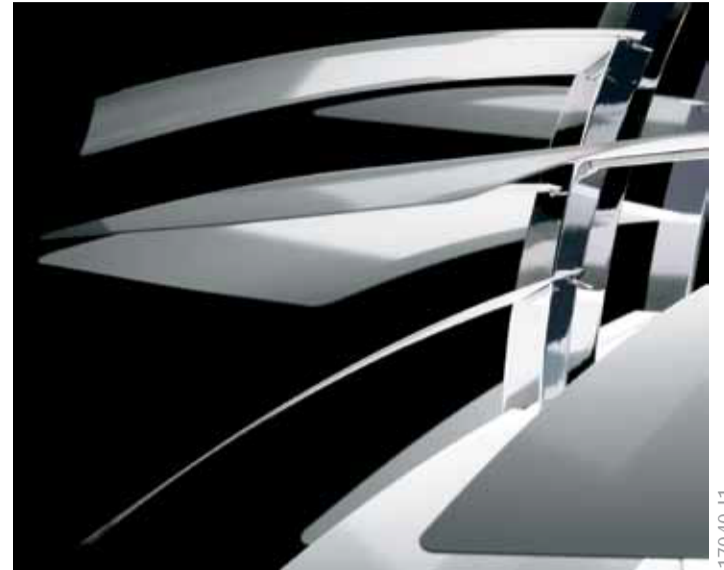
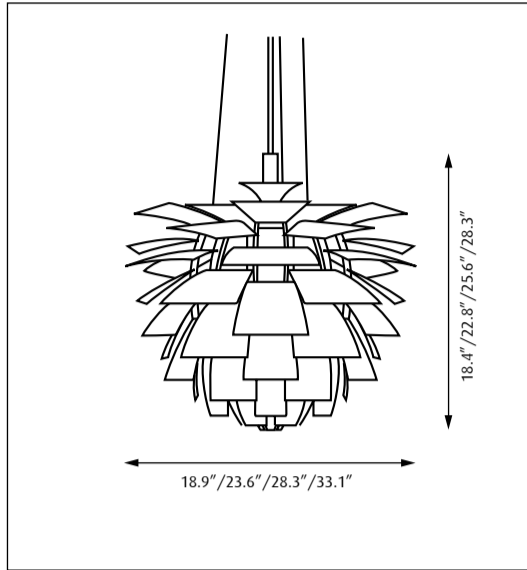


# PH Artichoke

Design Poul Henningsen



17040-11

Light source	Voltage	Weight - Metal Frame	Weight - Glass Frame	Electric shock protection	Ingress protection
<b>18.9\"/&gt;</b>	<b>120V</b>	<b>Max 20 Lbs</b>	<b>Max 24 Lbs</b>	<b>Cl. I</b>	<b>IP 20</b>
<b>23.6\"/&gt;</b>	<b>120V</b>	<b>Max 41 Lbs</b>	<b>Max 44 Lbs</b>	<b>Cl. I</b>	<b>IP 20</b>
<b>28.3\"/&gt;</b>	<b>120V</b>	<b>Max 44 Lbs</b>	<b>Max 55 Lbs</b>	<b>Cl. I</b>	<b>IP 20</b>
<b>33.1\"/&gt;</b>	<b>120V</b>	<b>Max 61 Lbs</b>	<b>Max 73 Lbs</b>	<b>Cl. I</b>	<b>IP 20</b>

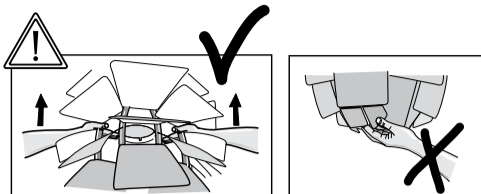
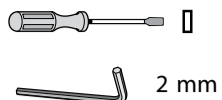
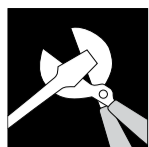
The luminaire may only be lifted/carried by the wire and never by the cable!

Recommended cleaning substances:

Wipe off dust with a dry, soft cloth. Remove greasy spots etc. with a soft cloth dampened in lukewarm water (<122° F/ 50° C) with a mild detergent.

Warning: Scouring powder and similar substances will scratch surfaces.

All installation is subject to local code and jurisdiction. Consult a qualified electrician to ensure correct branch circuit conductor. The installer must ensure that the ceiling can support the luminaire's weight. The installer must if necessary reinforce the ceiling structure by adequate means.-



Minimum height

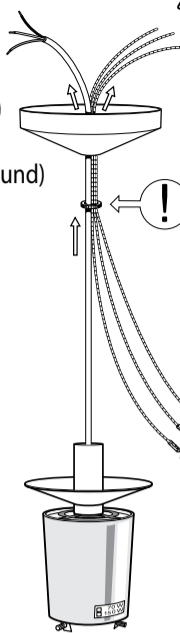
Artichoke Ø33.1"	A = 25.6"
Artichoke Ø28.3"	A = 28.3"
Artichoke Ø23.6"	A = 27.5"
Artichoke Ø18.9"	A = 17.7"

1

x3

- Green to Green (ground)
- White to White
- Black to Black

See further mounting instruction in the manual supplied with the canopy



Apply only to model Dia 18.9"

**Lamp Replacement Labels**

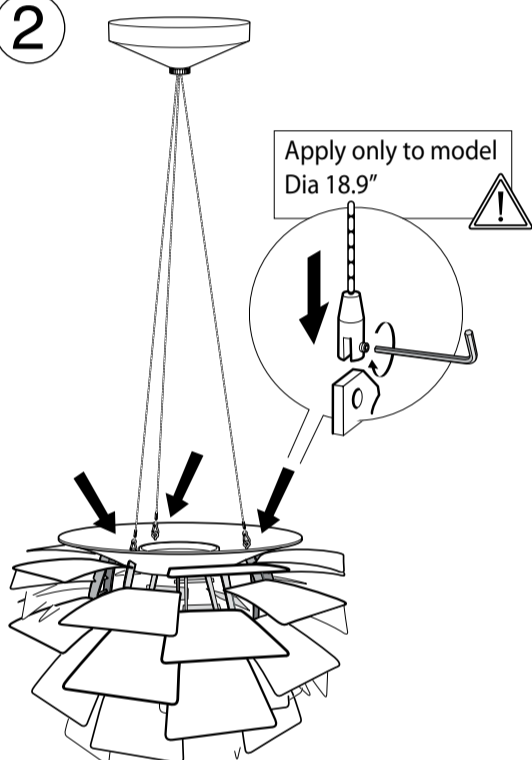
This Luminaire may have different light Source options.

The installer must ensure that the **Lamp Replacement Label** on the luminaire represents the appropriate light source and control gear.

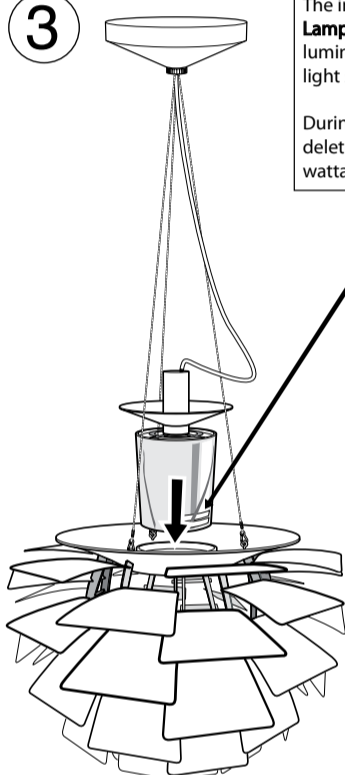
During installation the installer must delete, with a permanent marker, the lamp wattages that do not apply.

2

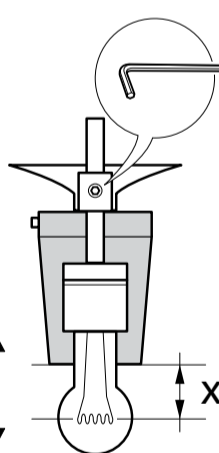
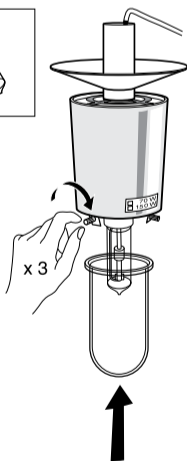
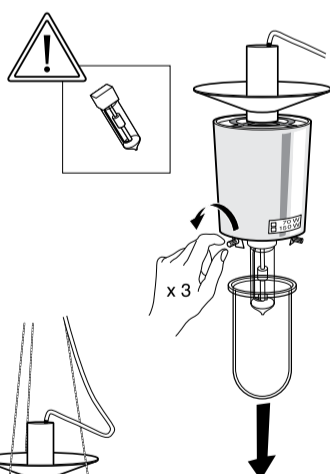
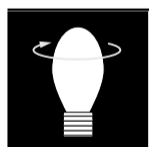
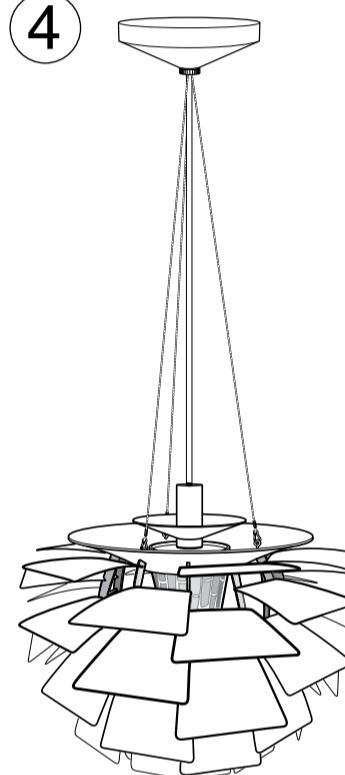
Apply only to model Dia 18.9"



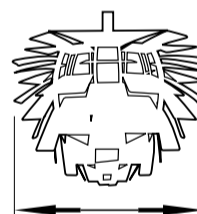
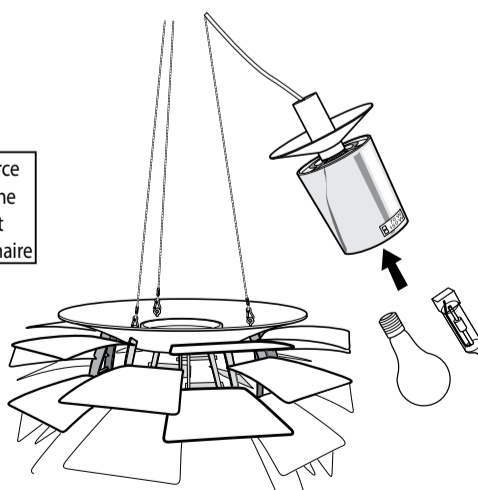
3



4



Use only light source in accordance to the lamp Replacement Label on the luminaire



	X
Dia: 23.6 "	3.3"
Dia: 28.3 "	
Dia: 33.1 "	
Dia: 18.9 "	1.7"

