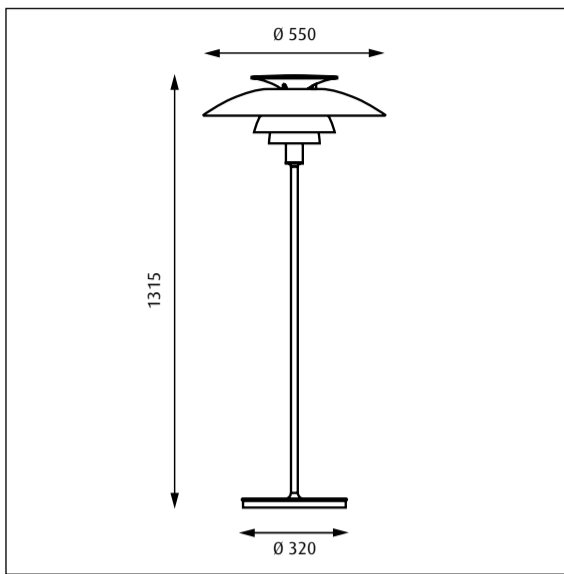



PH 80 with dimming

Design Poul Henningsen



28738-11

Light source	Voltage	Weight	Ingress protection
Dimmable Lamp Only Min-Max LED: 4-25W Incandescent: 4-70W CFL: 11-25W 	120V/50-60Hz	7,5 kg	IP20 / Dry location

Recommended cleaning substances:
Wipe off dust with a dry, soft cloth. Remove greasy spots etc. with a soft cloth dampened in lukewarm water (<122° F/ 50° C) with a mild detergent.

Louis Poulsen A/S disclaims any liability if a half mirror light bulb is used. This type of light source reflects the heat and may damage/melt parts of the fixture.

