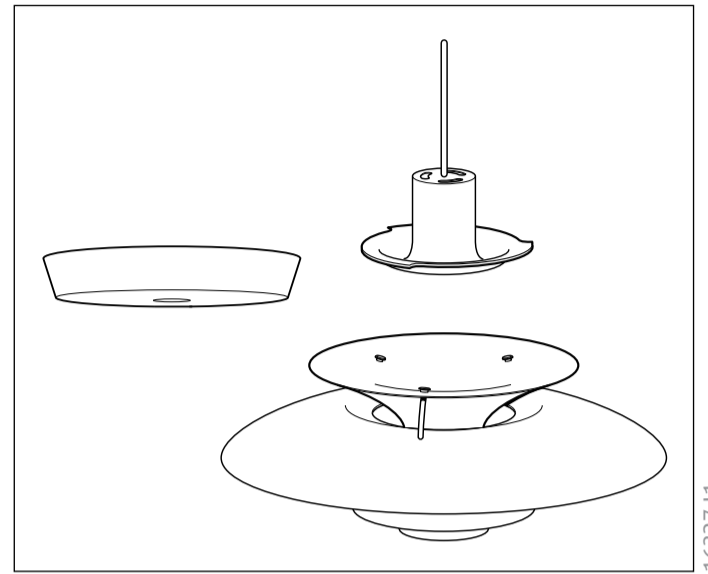
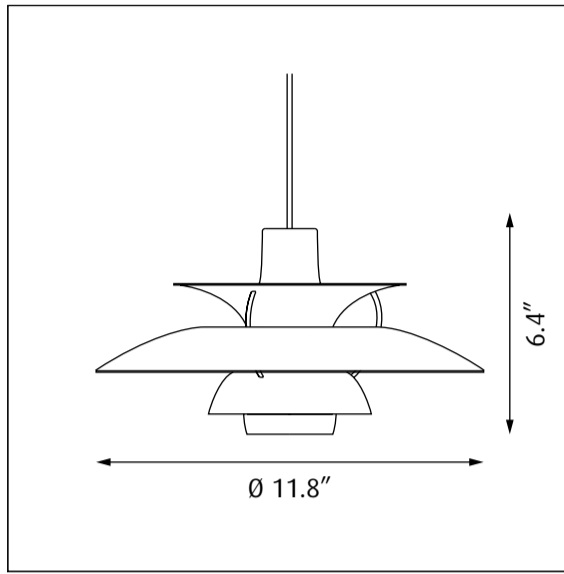


Design Poul Henningsen



16327-11

Light source	Voltage	Weight	Electric shock protection	Ingress protection
Max 40W	Max 120V	Max 1,3 lbs	Cl. II	IP 20

Recommended cleaning substances:

Alcohol, detergent, water max. (122 °F /50 °C).

Glossy lacquered surfaces in specific:

The glossy lacquered surfaces should be maintained with a suitable polish in order to prevent deterioration and drying. The polish agent may not contain any sort of abrasives. The polish must be applied according to the supplier's instructions using a very soft cloth (microfiber). Note: Avoid any contact between the polish and the matt lacquered surfaces of the product.

Warning: Scouring powder and similar substances will scratch surfaces.

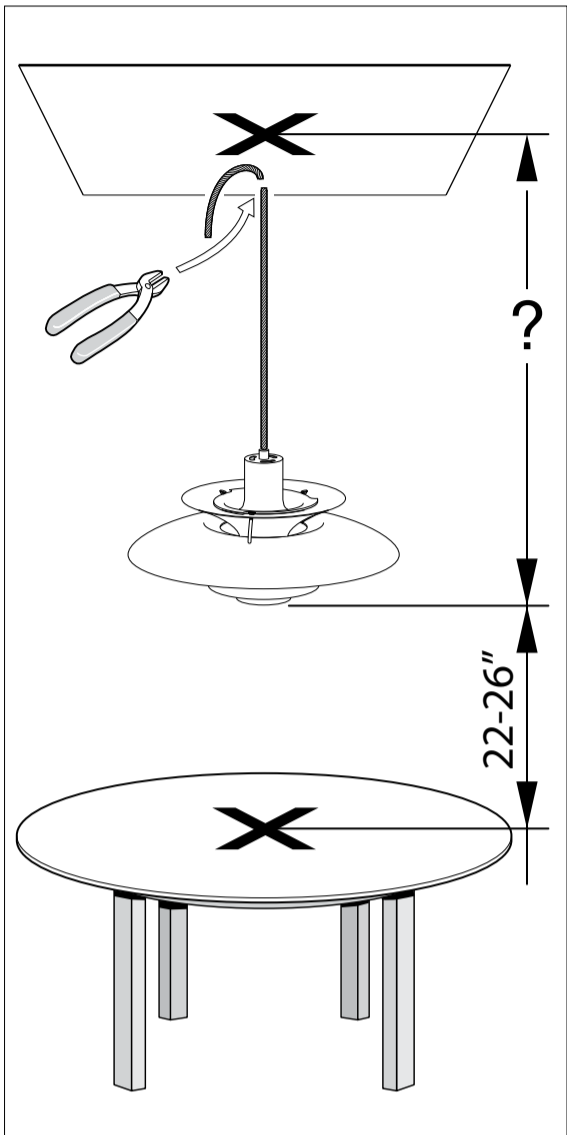
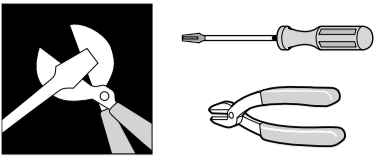
All installation is subject to local code and jurisdiction.


Consult a qualified electrician to ensure correct branch circuit conductor.

The installer must ensure that the ceiling can support the luminaire's weight. The installer must if necessary reinforce the ceiling structure by adequate means.



Louis Poulsen A/S disclaims any liability if a half mirror light bulb is used. This type of light source reflects the heat and may damage/melt parts of the fixture.



 See further mounting instructions in the manual supplied with the canopy

The installer must ensure to use proper means (rawplugs / screws / expansion bolts) to secure the fixture to the ceiling material. (Means not provided)
The installer must if necessary reinforce the ceiling structure by adequate means.



x3
Connect wires:
Green = ground
White = neutral
Black = line voltage

! ID NUMBER: _____
Please register ID number at www.louispuolsen.com

