

## PH 4/3 PENDANT

Designed by Poul Henningsen

---



---

### Description

The fixture is designed based on the principle of a reflective three-shade system, which directs the majority of the light downwards. The shades are made of metal and painted white to ensure uniform, comfortable light distribution.

---

### Variants

VARIANT NUMBER	COLOR, RAL	W / H / L (IN) / W (LB)
5741928598	WHITE CLASSIC MATTE, 020	15.7 / 7.9 / 15.7 IN / 2.7 LB

---

### Materials & Finishes

#### MATERIALS

Shades: Spun aluminum.

#### FINISHES

White, powder coated.

---

### Mounting

Canopy: White. Cord type: 3-conductor, 18 AWG white PVC power cord. Cord length: 12'. For mounting instructions, see download section on the product detail page.

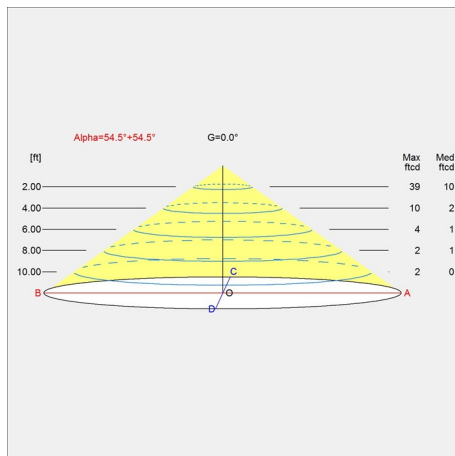
---

## Information

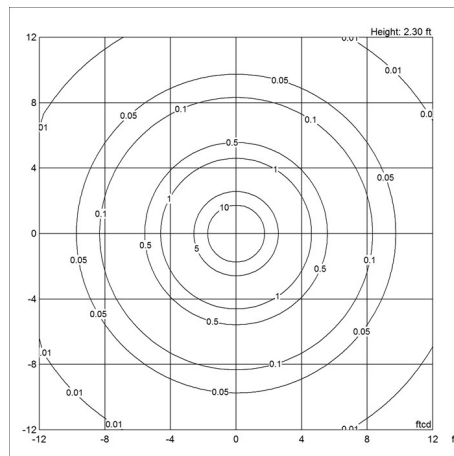
Electrical:  
 System Wattage: 15W  
 LED Wattage: 14 W  
 Delivered lumens: 414  
 Efficacy: 27.6 lm/W  
 Certifications:  
 cULus, Dry Location  
 Protection class IP20  
 Controllability: Phase dimming  
 Actual performance dependent upon screw-base lamp used. For the E-socket product variants, bulbs are not included. LED light source is part of the product.

## Light distribution diagrams

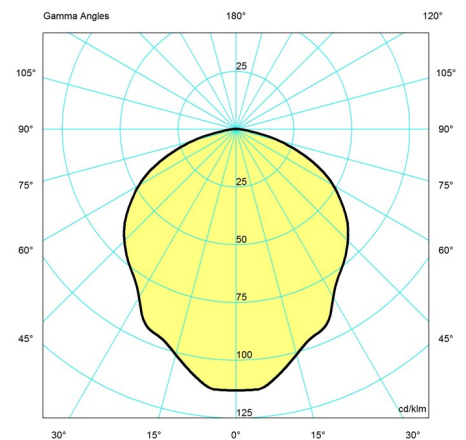
### CARTESIAN



### ISOLUX



### POLAR



## Variant Options

For particular variant options, please check our online Product Variants Configurator on the product detail page.

VARIANT NO.	LIGHT SOURCE	VOLTAGE/FRQ	LUMEN	FEATURES	CABLE
5741928598	A-19/medium	120V	414	-	White textile