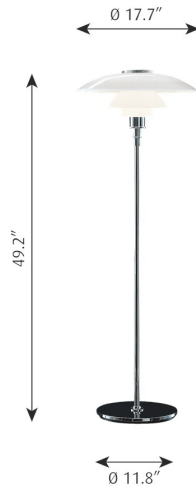


PH 4½-3½ GLASS FLOOR

Designed by Poul Henningsen



Description

The fixture is designed based on the principle of a reflective three-shade system, which directs the majority of the light downwards. The shades are made of hand blown opal three-layer glass, which is glossy on top and sandblasted matte on the underside, giving a soft and diffused light distribution.

Variants

VARIANT NUMBER	COLOR, RAL	W / H / L (IN) / W (LB)
5844901266	HIGH LUSTRE CHROME PLATED, 900	17.7 / 49.2 / 17.7 IN / 34.3 LB

Materials & Finishes

MATERIALS

Base: High lustre chrome plated, spun brass. Shades: Hand blown white opal glass. Anti-glare ring: Purple, spun aluminum. Top plate: High lustre chrome plated, spun brass. Stem: High lustre chrome plated, steel.

FINISHES

High lustre chrome plated. White opal glass.

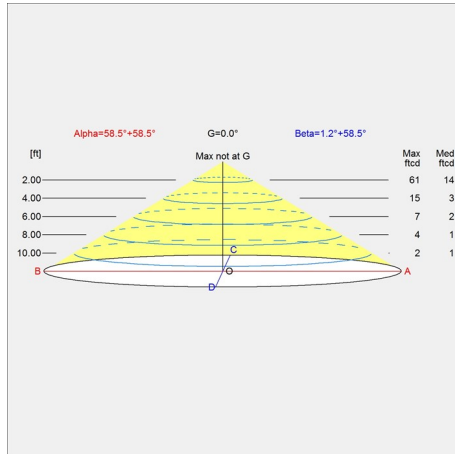
louis poulsen

Mounting

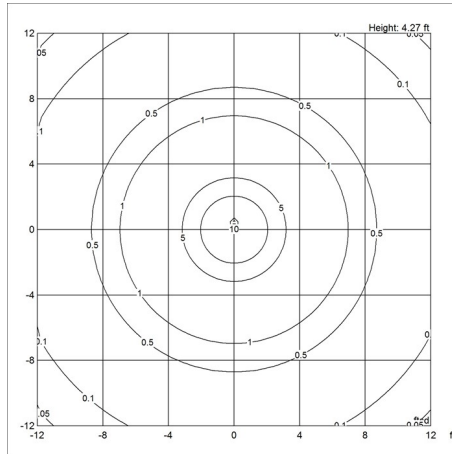
Cord type: Black. Cord length: 7'. Switch: In-line on/off foot switch provided. For mounting instructions, see download section on the product detail page.

Light distribution diagrams

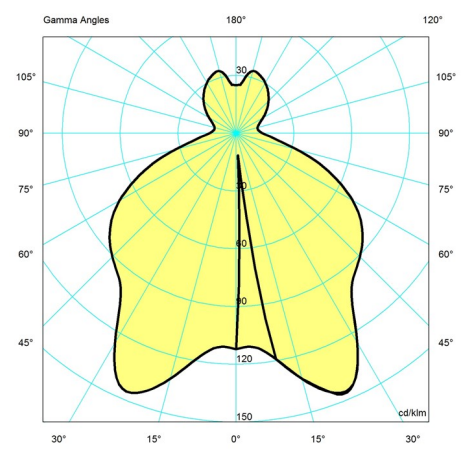
CARTESIAN



ISOLUX



POLAR



Variant Options

For particular variant options, please check our online Product Variants Configurator on the product detail page.

VARIANT NO.	LIGHT SOURCE	VOLTAGE/FRQ	LUMEN	FEATURES	CABLE
5844901266	A-19/IF medium	120V	964	-	-