

PH 3/2 PENDANT

Designed by Poul Henningsen



Description

The fixture is designed based on the principle of a reflective three-shade system, which directs the majority of the light downwards. The shades are made of hand blown opal three-layer glass, which is glossy on top and sandblasted matte on the underside, giving a soft and uniform light distribution.

Variants

VARIANT NUMBER	COLOR, RAL	W / H / L (IN) / W (LB)
5741935471	HIGH LUSTRE CHROME PLATED, 900	11.4 / 9.5 / 11.4 IN / 3.7 LB
5741935484	BLACK METALIZED, 906	11.4 / 9.5 / 11.4 IN / 3.7 LB
5741935497	BRASS METALLISED	11.4 / 9.5 / 11.4 IN / 3.1 LB

Materials & Finishes

MATERIALS

Shades: Hand blown white opal glass. Suspension: Black metalized or high lustre chrome plated, brass.

FINISHES

Black metalized or high lustre chrome plated. White opal glass.

louis poulsen

Mounting

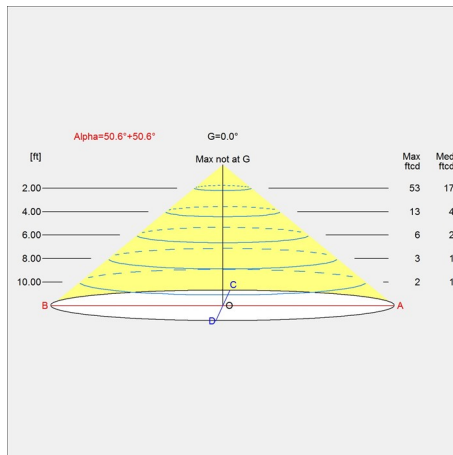
Canopy: White. Cord type: 3-conductor, 18 AWG black PVC power cord. Cord length: 12'. For mounting instructions, see download section on the product detail page.

Information

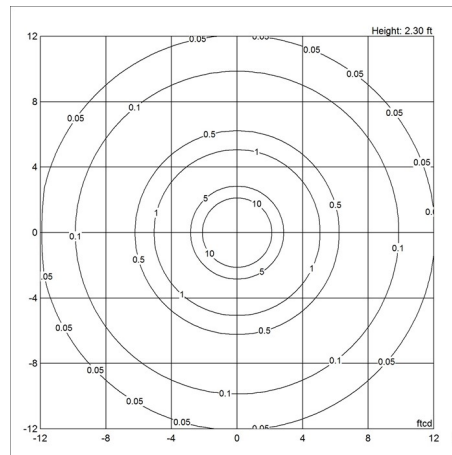
Electrical:
 System Wattage: 15W
 LED Wattage: 14 W
 Delivered lumens: 777
 Efficacy: 51.8 lm/W
 Certifications:
 cULus, Dry Location
 Protection class IP20
 Controllability: Phase dimming
 Actual performance dependent upon screw-base lamp used. For the E-socket product variants, bulbs are not included. LED light source is part of the product.

Light distribution diagrams

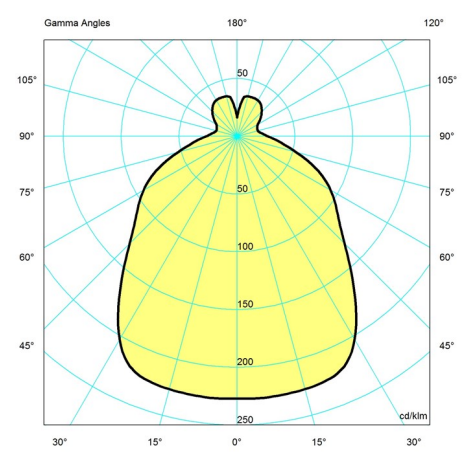
CARTESIAN



ISOLUX



POLAR



Variant Options

For particular variant options, please check our online Product Variants Configurator on the product detail page.

VARIANT NO.	LIGHT SOURCE	VOLTAGE/FRQ	LUMEN	FEATURES	CABLE
5741935471	A-19/medium	120V	777	-	Black textile
5741935484	A-19/medium	120V	777	-	Black textile
5741935497	A-19/medium	120V	777	-	White textile