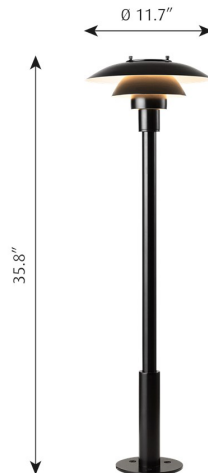


PH 3-2½ BOLLARD

Designed by Poul Henningsen



Description

The fixture is designed based on the principle of a reflective three-shade system, which directs the majority of the light downwards. The shades have a matte white painted interior surface, diffusing the light in a comfortable way.

Variants

VARIANT NUMBER	COLOR, RAL	W / H / L (IN) / W (LB)
10000124039	BLK, 726	11.7 / 35.8 / 11.7 IN / 8.0 LB

Materials & Finishes

MATERIALS

Top shade: Spun stainless steel. Middle/lower shade: Spun stainless steel. Shadeholder: Die formed glass. Post: Stainless steel. Base plate: Stainless steel.

FINISHES

Black, powder coated.

Mounting

Base plate dimension: 6" diameter. Base plate: Mounted to a concrete base with 3 anchor bolts on a bolt circle of 3.54" diameter. Installation: Refer to mounting instruction download

for installation details. For mounting instructions, see download section on the product detail page.

Information

Electrical:

Maximum Lamp Wattage: 60W

Delivered lumens: 720 lm

Efficacy: 12.0 lm/W

Certifications:

cULus, Wet Location

Protection class IP65

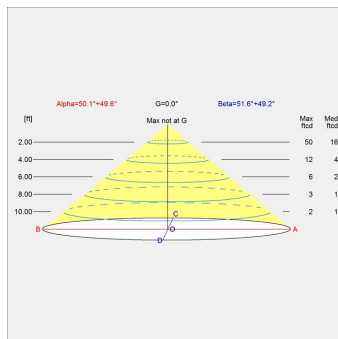
IK class 05

BUG Rating: B0-U3-G1

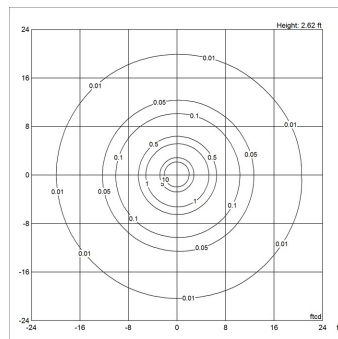
Controllability: Phase dimming. For the E-socket product variants, bulbs are not included. LED light source is part of the product.

Light distribution diagrams

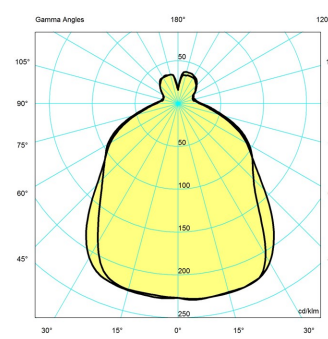
CARTESIAN



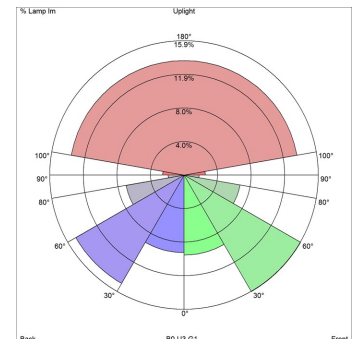
ISOLUX



POLAR



BUG



Variant Options

For particular variant options, please check our online Product Variants Configurator on the product detail page.

VARIANT NO.	LIGHT SOURCE	VOLTAGE/FRQ	LUMEN	FEATURES	CABLE
10000124039	A-19/IF medium	120V	720	-	-