

PH 3¹/₂-3 PENDANT

Designed by Poul Henningsen



Description

The fixture is 100% glare-free, with a design based on the principle of a reflective three-shade system, which directs most of the light downwards. The shades are made of deep drawn aluminum with white inner surface that ensures gentle, downward light distribution. The downward light is both soft and pleasant.

Variants

VARIANT NUMBER	COLOR, RAL	W / H / L (IN) / W (LB)
5741928637	YELLOW	13 / 12 / 13 IN / 3.4 LB
5741928640	RED	13 / 12 / 13 IN / 3.4 LB
5741928653	GREEN	13 / 12 / 13 IN / 3.4 LB
5741928666	WHITE	13 / 12 / 13 IN / 3.4 LB

Materials & Finishes

MATERIALS

Shades: deep drawn aluminum. Suspension: silk matte brown, copper.

FINISHES

Shade: red, green, yellow and white, powder coated. Suspension: silk matte brown, copper.

louis poulsen

Mounting

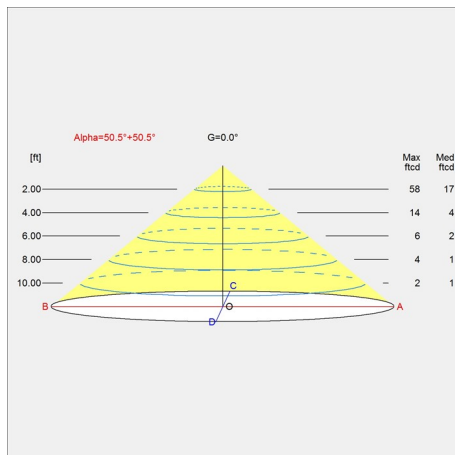
Canopy: White. Cord type: 3-conductor, 18 AWG white PVC power cord. Cord length: 12'. For mounting instructions, see download section on the product detail page.

Information

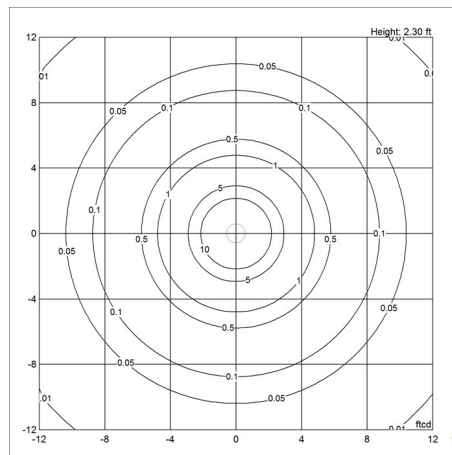
Electrical:
 System Wattage: 15W
 LED Wattage: 14 W
 Delivered lumens: 1,364
 Efficacy: 90.9 lm/W
 Certifications: cULus, Dry Location
 Protection class IP20
 Controllability: Phase dimming
 Actual performance dependent upon screw-base lamp used. For the E-socket product variants, bulbs are not included. LED light source is part of the product.

Light distribution diagrams

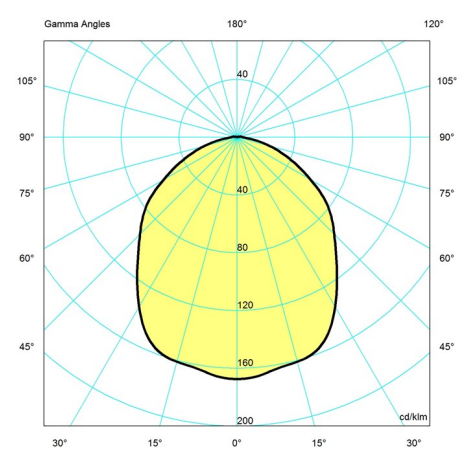
CARTESIAN



ISOLUX



POLAR



Variant Options

For particular variant options, please check our online Product Variants Configurator on the product detail page.

VARIANT NO.	LIGHT SOURCE	VOLTAGE/FRQ	LUMEN	FEATURES	CABLE
5741928637	A-19/medium	120V	594	-	White textile
5741928640	A-19/medium	120V	594	-	White textile
5741928653	A-19/medium	120V	594	-	White textile
5741928666	A-19/medium	120V	594	-	White textile