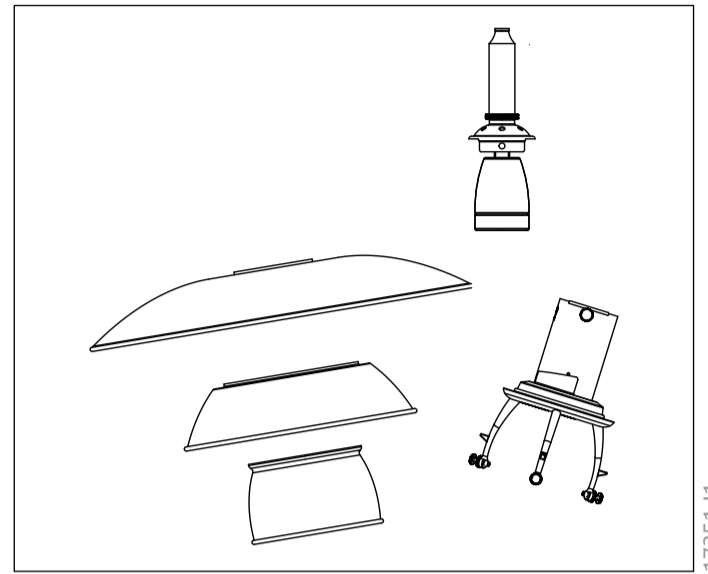
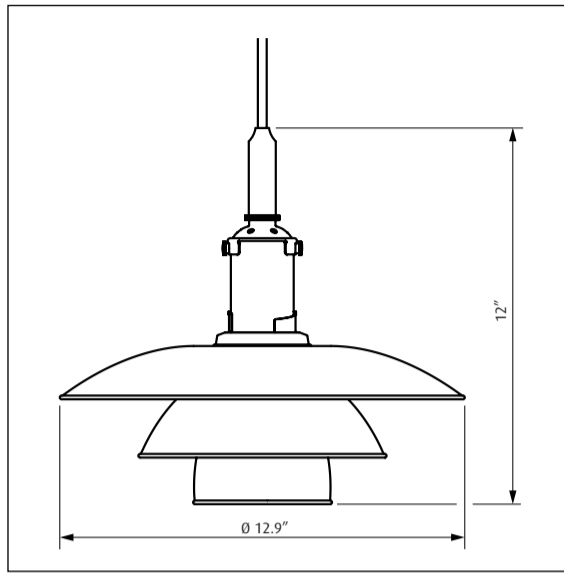



# PH 3½-3 Pendant

Design Poul Henningsen



17351-11

Light source	Voltage	Weight	Electric shock protection	Ingress protection
<b>100W/INC</b> 	<b>120-277V</b>	<b>Max. 2.8 Lbs</b>	<b>Cl. I</b>	<b>Dry location</b>

**Recommended cleaning substances:**

Wipe off dust with a dry, soft cloth. If you use a soft cloth dampened in lukewarm water please remember to wipe the lamp with a dry cloth. Avoid using cleaning agents.

**Cleaning instructions for shades:**

Wipe off dust with a dry, soft cloth. Remove greasy spots etc. with a soft cloth dampened in lukewarm water (<122° F/ 50° C) with a mild detergent. Never use detergents containing abrasives and solvents.

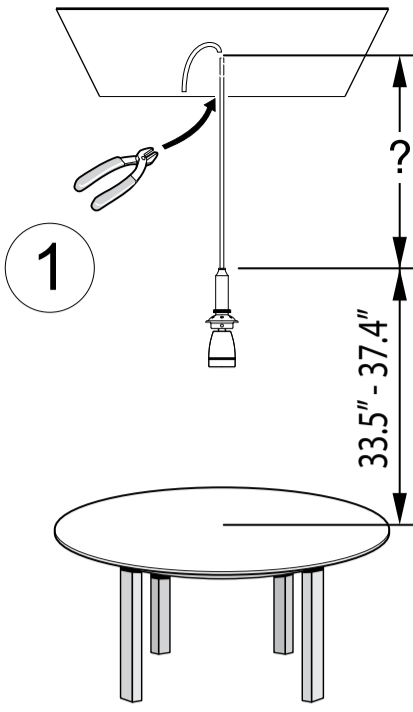
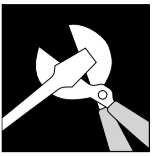
Warning: Scouring powder and similar substances will scratch surfaces.

All installation is subject to local code and jurisdiction. Consult a qualified electrician to ensure correct branch circuit conductor.

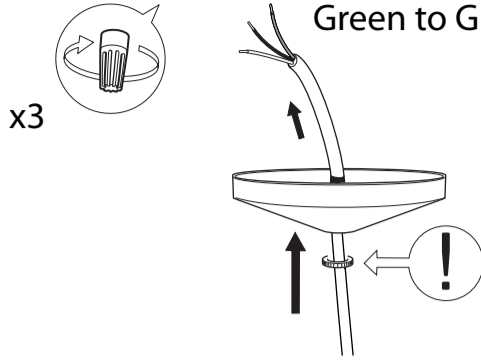
The installer must ensure that the ceiling can support the luminaire's weight. The installer must if necessary reinforce the ceiling structure by adequate means.




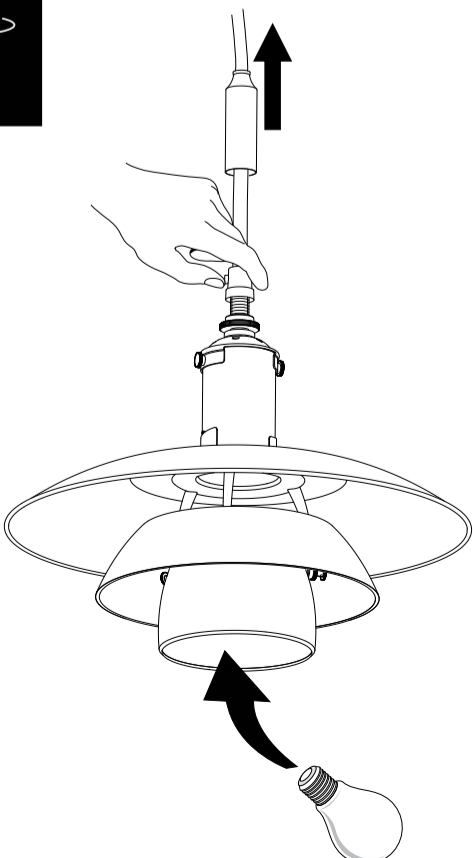
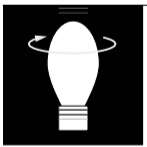
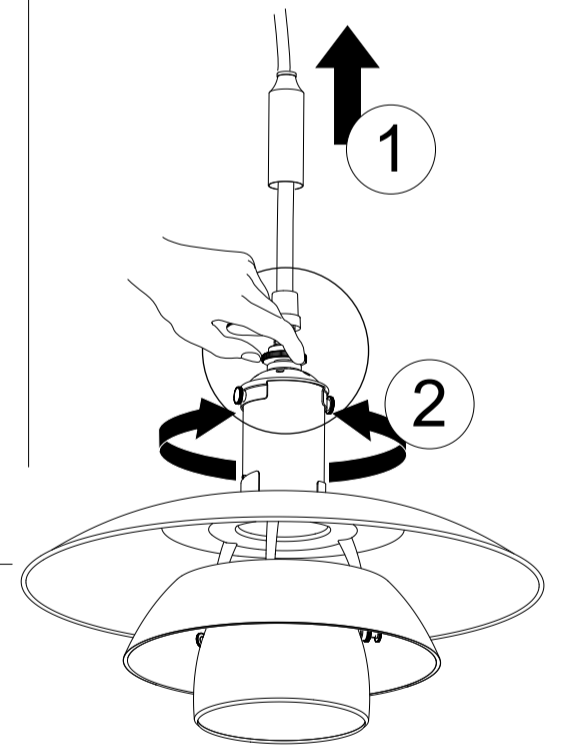
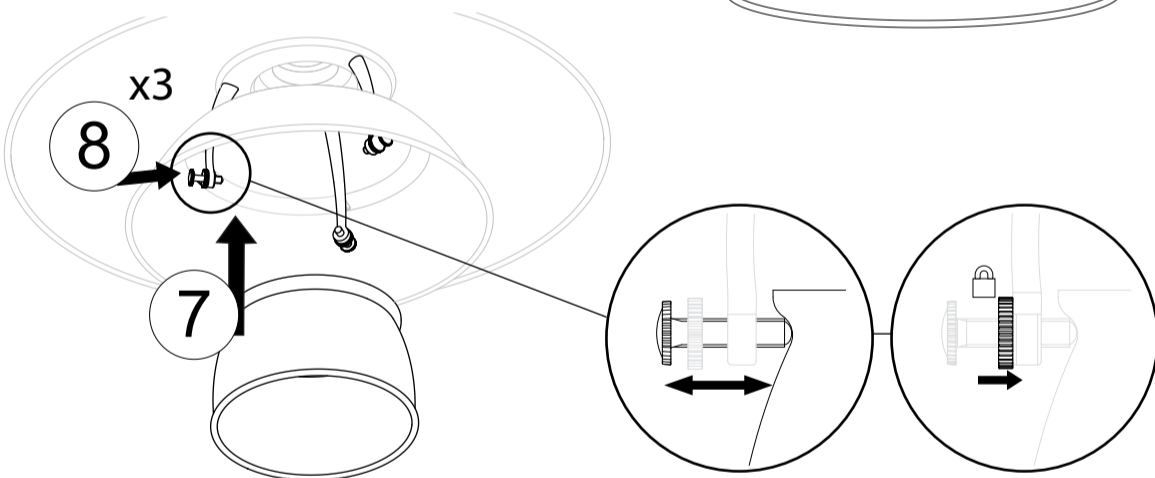
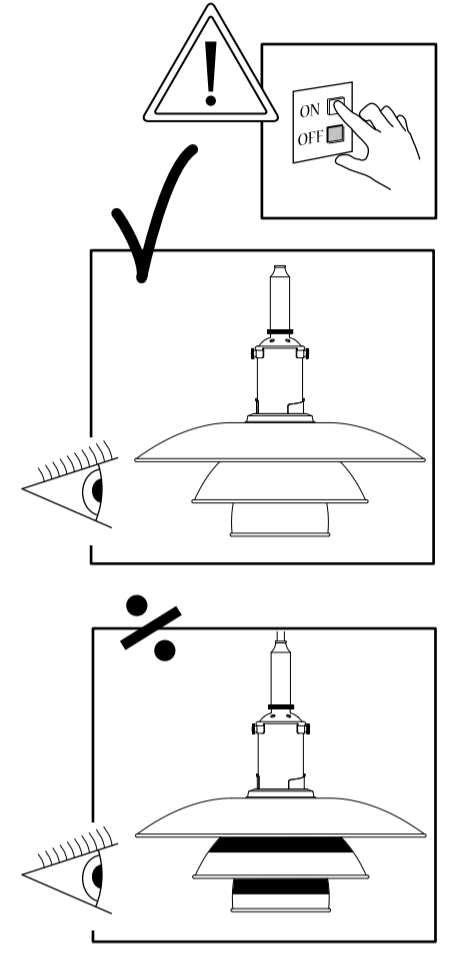
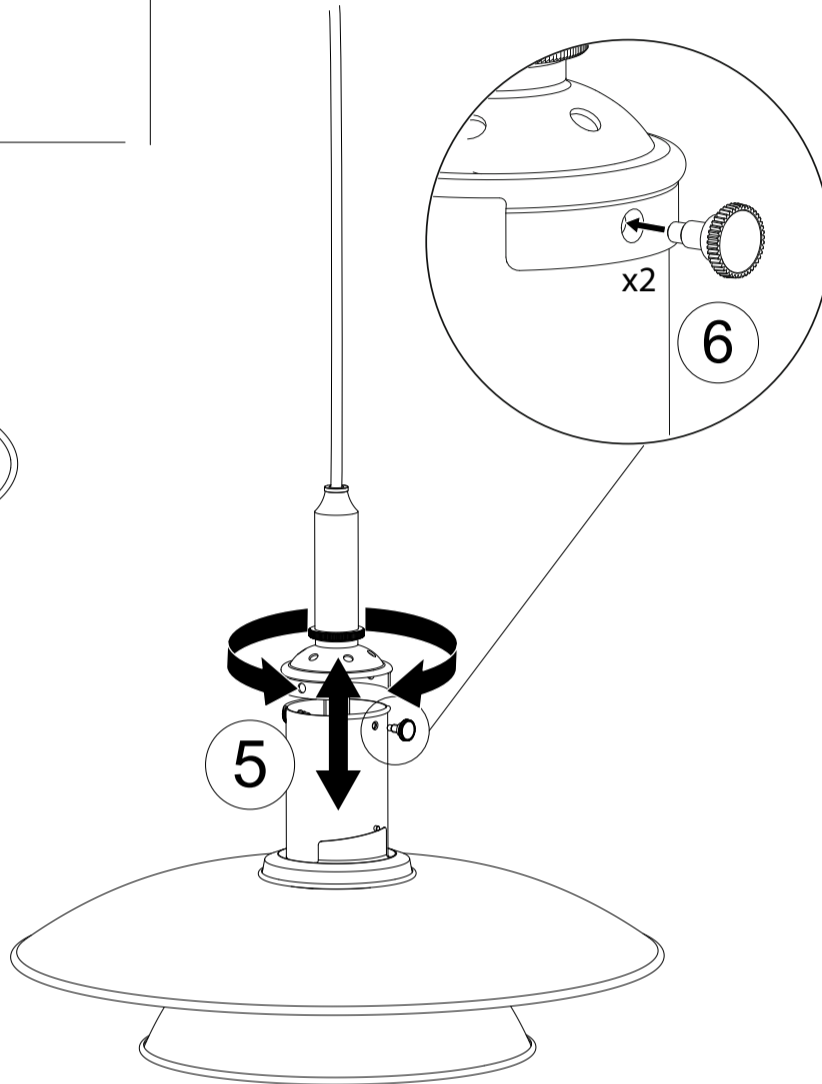
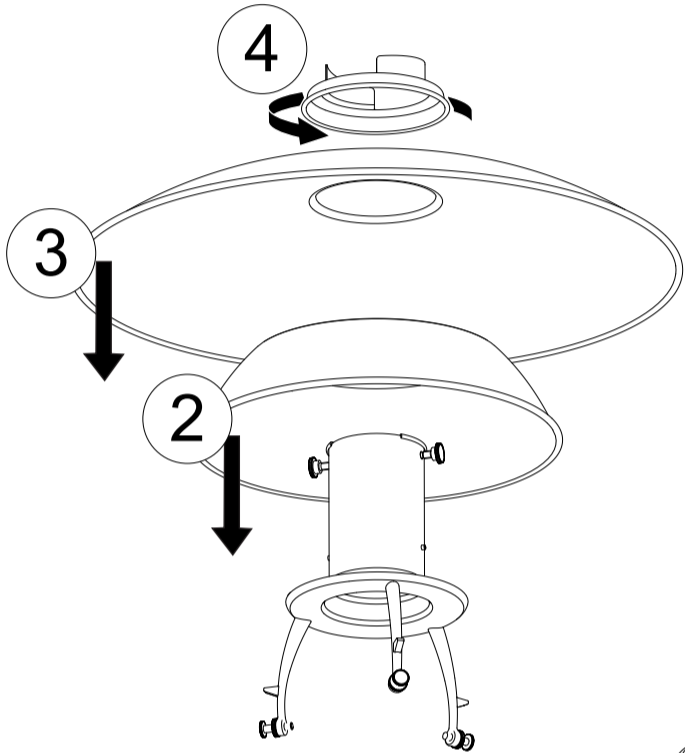
Louis Poulsen A/S disclaims any liability if a half mirror light bulb is used. This type of light source reflects the heat and may damage/melt parts of the fixture.




White to White (Neutral)  
 Black to Black (Line)  
 Green to Green (Ground)



 See further mounting instructions in the manual supplied with the canopy



 ID NUMBER: \_\_\_\_\_  
 Please register ID number at [www.louispoulsen.com](http://www.louispoulsen.com)

