

PH 2/1 PENDANT

Designed by Poul Henningsen



Description

The fixture design is based on the principle of a reflective three-shade system, which directs the majority of the light downwards. The shades are made of hand-blown, opal, three-layer glass, which is glossy on top and sandblasted matte on the underside, giving a soft and uniform light distribution.

Variants

VARIANT NUMBER	COLOR, RAL	W / H / L (IN) / W (LB)
5741925300	BLACK METALIZED, 906	7.9 / 5.5 / 7.9 IN / 2.1 LB
5741925575	BRASS METALLISED	7.9 / 5.5 / 7.9 IN / 2.1 LB
5741925588	HIGH LUSTRE CHROME PLATED, 900	7.9 / 5.5 / 7.9 IN / 2.1 LB

Materials & Finishes

MATERIALS

Shades: Handblown white opal glass (sandblasted on the undersides for uniform light distribution). Suspension: Black metalized or high lustre chrome plated, spun aluminum.

FINISHES

Black metalized or high lustre chrome plated. White opal glass.

louis poulsen

Mounting

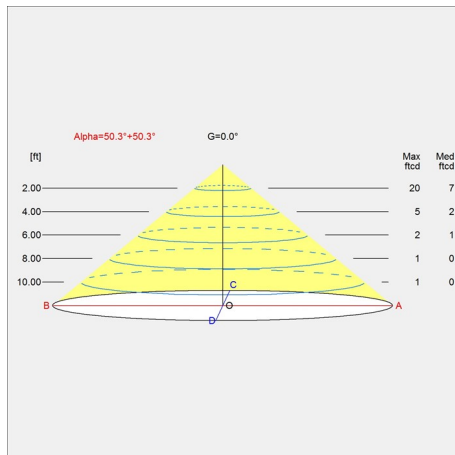
Canopy: White. Cord type: 3-conductor, 18 AWG black PVC power cord. Cord length: 12'. For mounting instructions, see download section on the product detail page.

Information

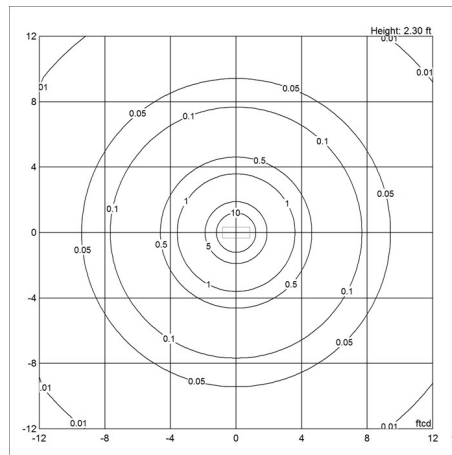
Electrical:
 System Wattage: 10W
 LED Wattage: 9 W
 Delivered lumens: 286
 Efficacy: 28.6 lm/W
 Certifications:
 cULus, Dry Location
 Protection class IP20
 Controllability: Phase dimming
 Actual performance dependent upon screw-base lamp used. For the E-socket product variants, bulbs are not included. LED light source is part of the product.

Light distribution diagrams

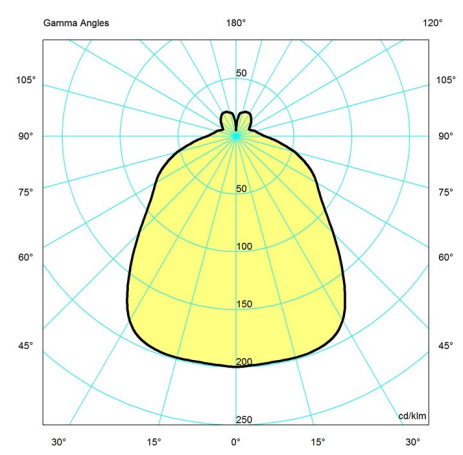
CARTESIAN



ISOLUX



POLAR



Variant Options

For particular variant options, please check our online Product Variants Configurator on the product detail page.

VARIANT NO.	LIGHT SOURCE	VOLTAGE/FRQ	LUMEN	FEATURES	CABLE
5741925300	G16.5/IF candelabra	120V	286	-	Black textile
5741925575	G16.5/IF candelabra	120V	286	-	White textile
5741925588	G16.5/IF candelabra	120V	286	-	Black textile