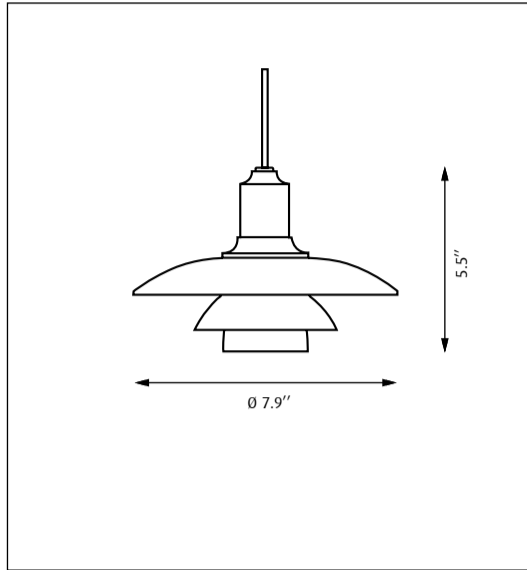


PH 2/1 Pendant

Design Poul Henningsen



17602-11

Light source	Voltage	Weight	Electric shock protection	Ingress protection
1/40W/G16.5/IF candalabre	120V	3 Lbs	Cl. I	IP 20, Dry location

Recommended cleaning substances:

Wipe off dust with a dry, soft cloth. Remove greasy spots etc. with a soft cloth dampened in lukewarm water (<122° F/ 50° C) with a mild detergent.

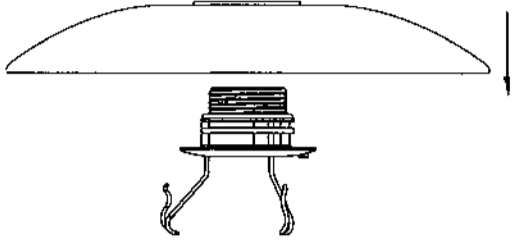
Warning: Scouring powder and similar substances will scratch surfaces.

All installation is subject to local code and jurisdiction. Consult a qualified electrician to ensure correct branch circuit conductor. The installer must ensure that the ceiling can support the luminaire's weight. The installer must if necessary reinforce the ceiling structure by adequate means.

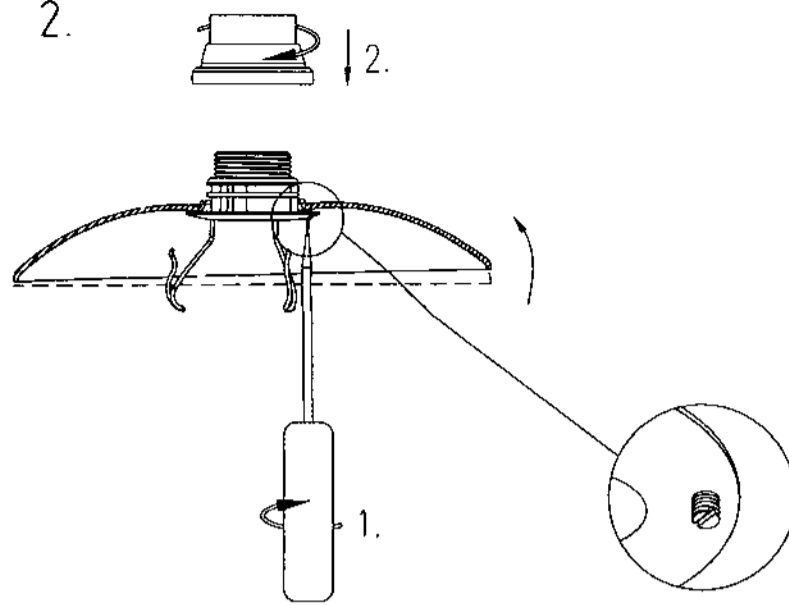
Assembling of the lamp.

17602-11

1.

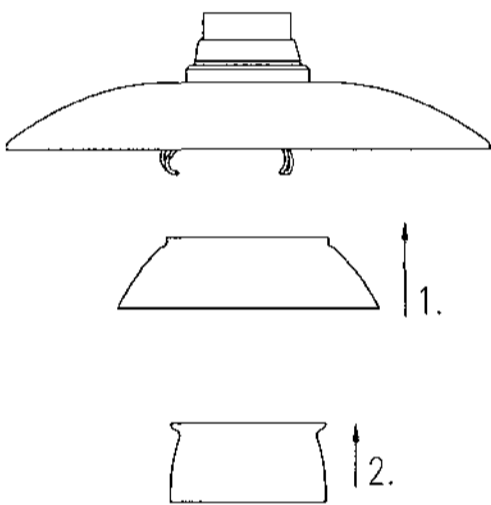


2.

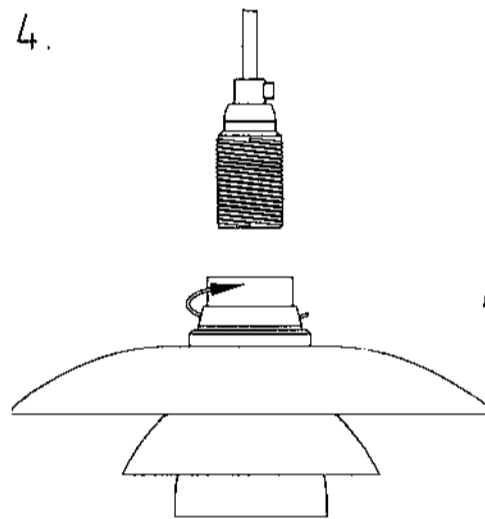


Adjust the upper shade to horizontal position.

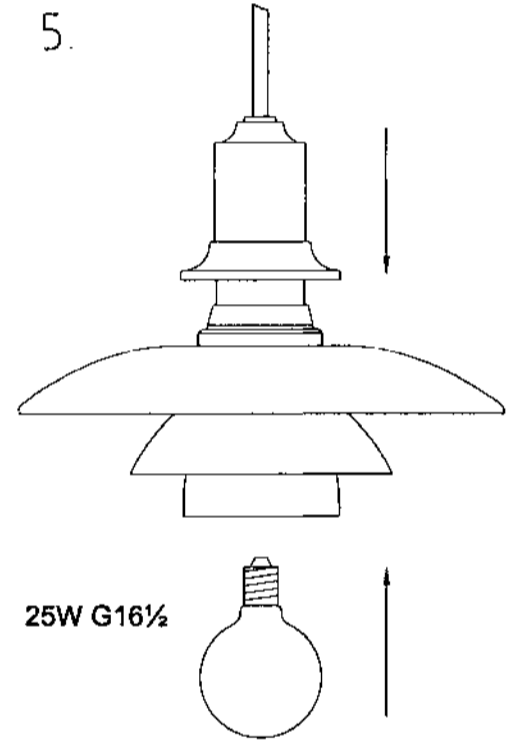
3.



4.

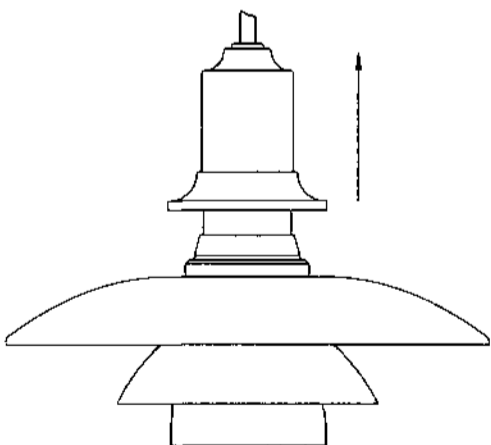


5.

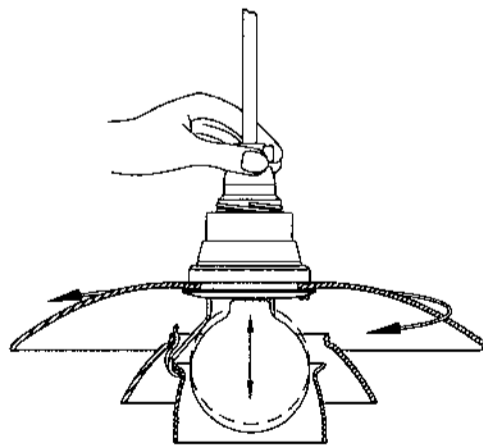


Fine adjustment of the incandescent lamp.

1.



2.



3.

