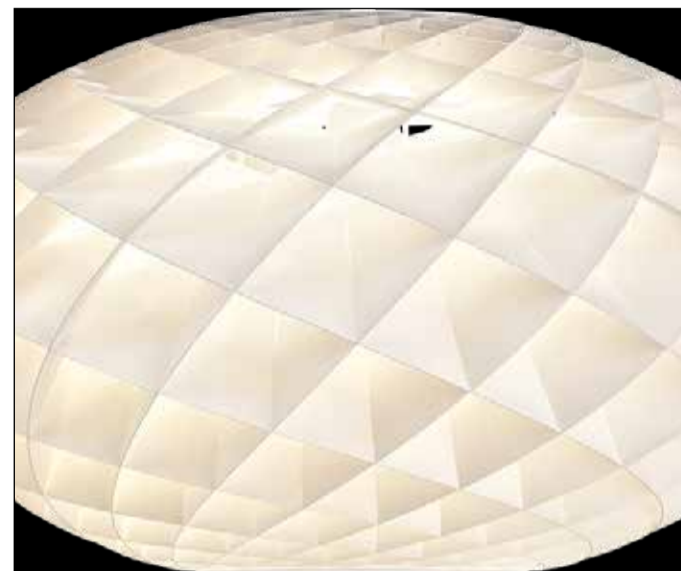
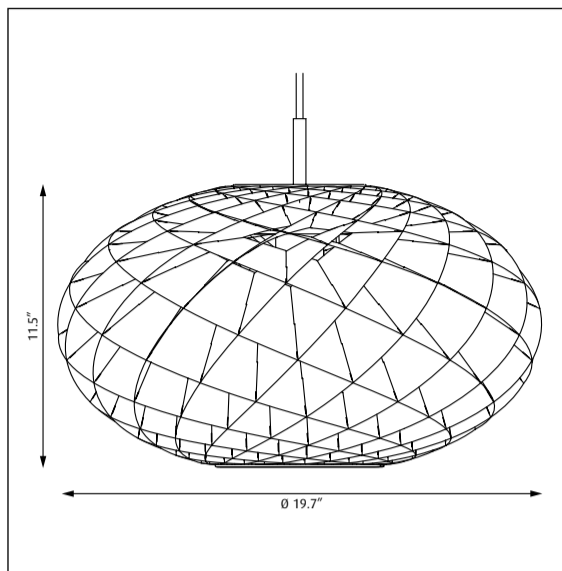



Patera Oval 500

Design Øivind Slaatto



16341-11

Light source	Voltage	Weight	Ingress protection
Max. 40W E26 	120V	Max. 3.3 lbs	IP 20 / Dry location

Recommended cleaning substances:

Wipe off dust with a dry, soft cloth. Remove greasy spots etc. with a soft cloth dampened in lukewarm water (<122° F/ 50° C) with a mild detergent.

Use a thin brush through the openings or use oil free compressed air to remove dust from the lamellae.

Warning: Scouring powder and similar substances will scratch surfaces.

All installation is subject to local code and jurisdiction.

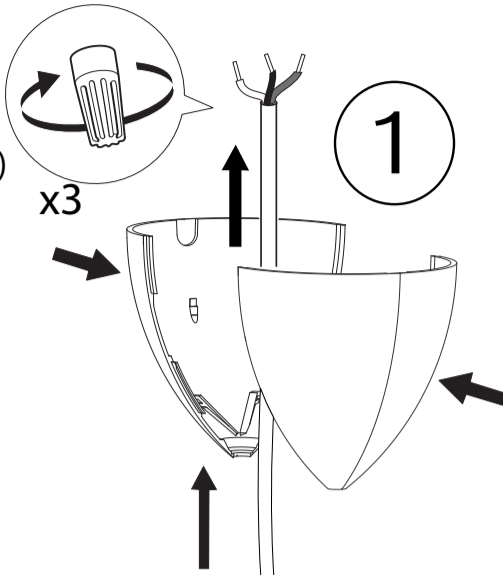
The installer must ensure that the ceiling can support the luminaire's weight. The installer must if necessary reinforce the ceiling structure by adequate means.



Louis Poulsen A/S disclaims any liability if a half mirror light bulb is used. This type of light source reflects the heat and may damage/melt parts of the fixture.



Connect wires:
White to White (Neutral)
Black to Black (Line)
Green to Green (Ground)



See further mounting instructions in the manual supplied with the canopy

The installer must ensure to use proper means (rawplugs / screws / expansion bolts) to secure the fixture to the ceiling material. (Means not provided)
The installer must if necessary reinforce the ceiling structure by adequate means.

