

PANTHELLA 400 TABLE LAMP

Designed by Verner Panton



Description

The fixture emits a glare-free, soft and comfortable illumination. The opal acrylic shade leaves a diffused comfortable light atmosphere due to the translucent shade, the downward reflection from the inner shade and the reflection from the trumpet stem.

Variants

| VARIANT NUMBER | COLOR, RAL | W / H / L (IN) / W (LB) |
|----------------|---------------------|--------------------------------|
| 5744916510 | WHT OPAL ACRYL, 970 | 15.7 / 21.7 / 15.7 IN / 5.8 LB |

Materials & Finishes

MATERIALS

Base: White, injection molded ABS. Shade: Injection molded white opal acrylic. Housing: White, injection molded ABS.

FINISHES

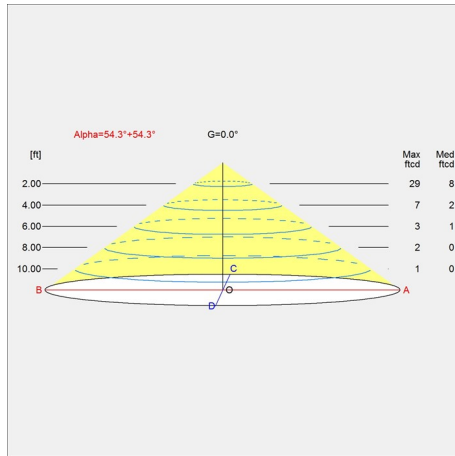
White, opal acrylic.

Mounting

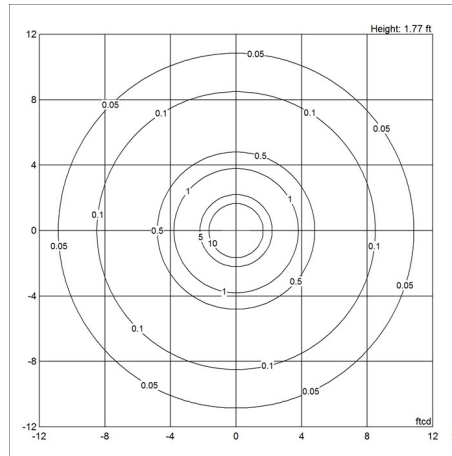
Cord type: White. Cord length: 13'. Switch: In-line on/off switch provided. For mounting instructions, see download section on the product detail page.

Light distribution diagrams

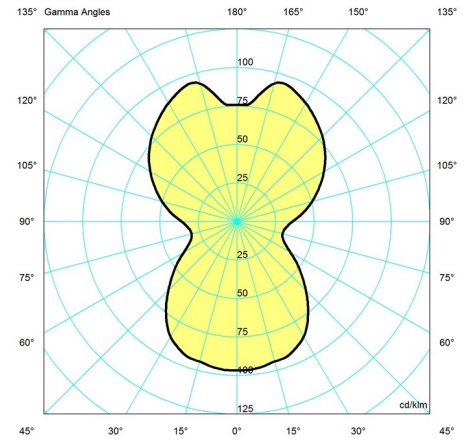
CARTESIAN



ISOLUX



POLAR



Variant Options

For particular variant options, please check our online Product Variants Configurator on the product detail page.

| VARIANT NO. | LIGHT SOURCE | VOLTAGE/FRQ | LUMEN | FEATURES | CABLE |
|-------------|--------------|-------------|-------|----------|-------|
| 5744916510 | A-19/medium | 120V | 877 | - | - |