

PANTHELLA FLOOR

Designed by Verner Panton



Description

The fixture emits a soft and comfortable illumination. The hemispherical shade reflects the light downwards, and the material used ensures that the majority of the light is spread diffusely in the room from the surface of the shade.

Variants

VARIANT NUMBER	COLOR, RAL	W / H / L (IN) / W (LB)
10000155551	WHT OPAL ACRYL, 970	19.7 / 51.4 / 19.7 IN / 12.4 LB

Materials & Finishes

MATERIALS

Base: White, injection molded ABS. Shade: Injection molded white opal acrylic. Housing: White, injection molded ABS. Stem: White, steel.

FINISHES

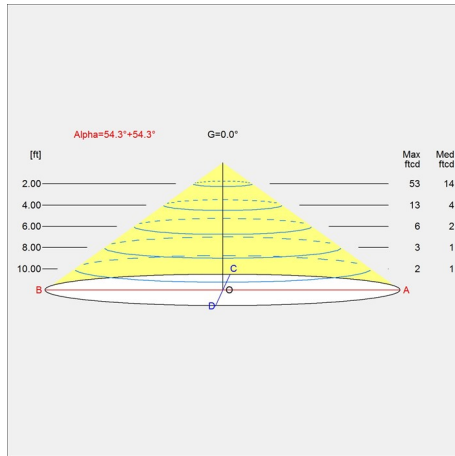
White, opal acrylic.

Mounting

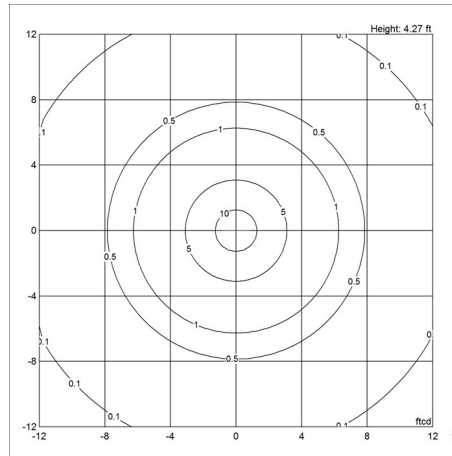
Cord type: White. Cord length: 11'. Switch: In-line on/off foot switch provided. For mounting instructions, see download section on the product detail page.

Light distribution diagrams

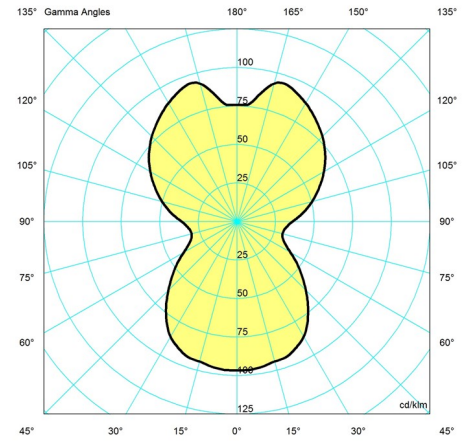
CARTESIAN



ISOLUX



POLAR



Variant Options

For particular variant options, please check our online Product Variants Configurator on the product detail page.

VARIANT NO.	LIGHT SOURCE	VOLTAGE/FRQ	LUMEN	FEATURES	CABLE
10000155551	A-21/IF medium	120V	1608	-	-