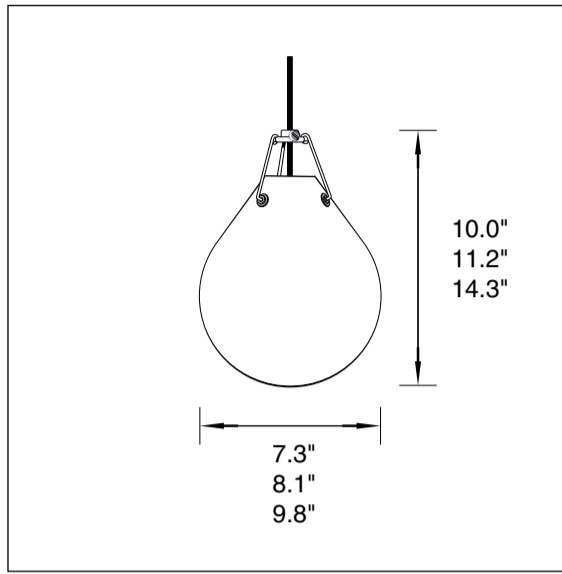
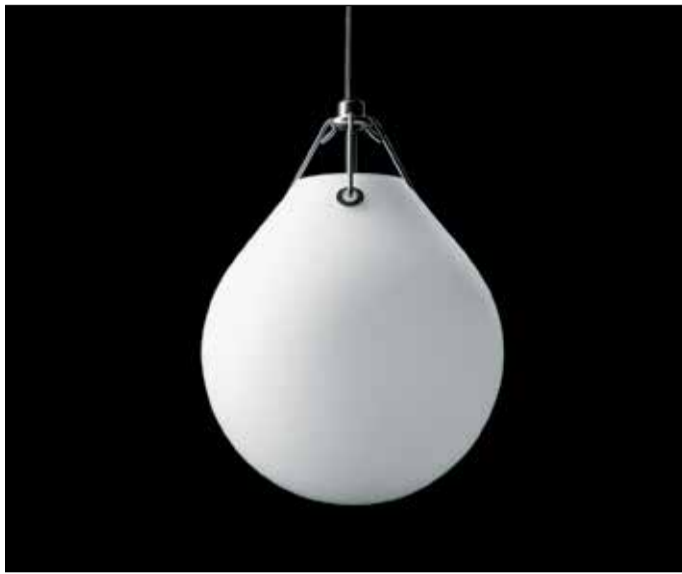



Design Anu Moser



18085-11

Light source	Voltage	Weight	Electric shock protection	Ingress protection
1/15W LED/A-19/  medium	120V	7 Lbs	Cl. I	IP 20, damp location

Recommended cleaning substances:

Wipe off dust with a dry, soft cloth. Remove greasy spots etc. with a soft cloth dampened in lukewarm water (<122° F/ 50° C) with a mild detergent.

Mouth-blown glass in specific: Must be cleaned in cold condition. All water must be evaporated before the lamp is lit again. The glassware in this luminaire is handcrafted. To ensure the intended lighting comfort, our glassware is blown. The process may generate air bubbles in the glass, just as its thickness may vary.

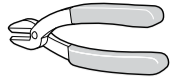
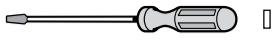
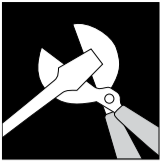
Warning: Scouring powder and similar substances will scratch surfaces.


All installation is subject to local code and jurisdiction.

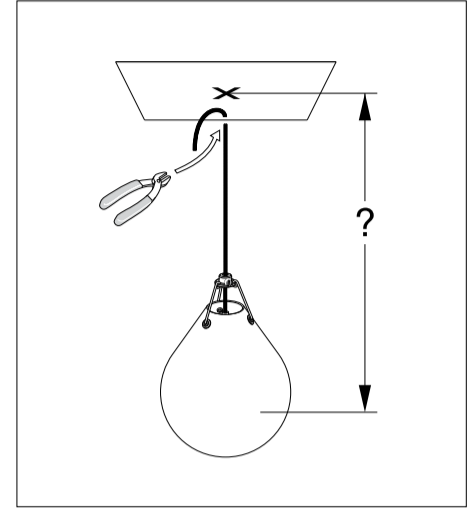
The installer must ensure that the ceiling can support the luminaire's weight. The installer must if necessary reinforce the ceiling structure by adequate means.




Louis Poulsen A/S disclaims any liability if a half mirror light bulb is used. This type of light source reflects the heat and may damage/melt parts of the fixture.



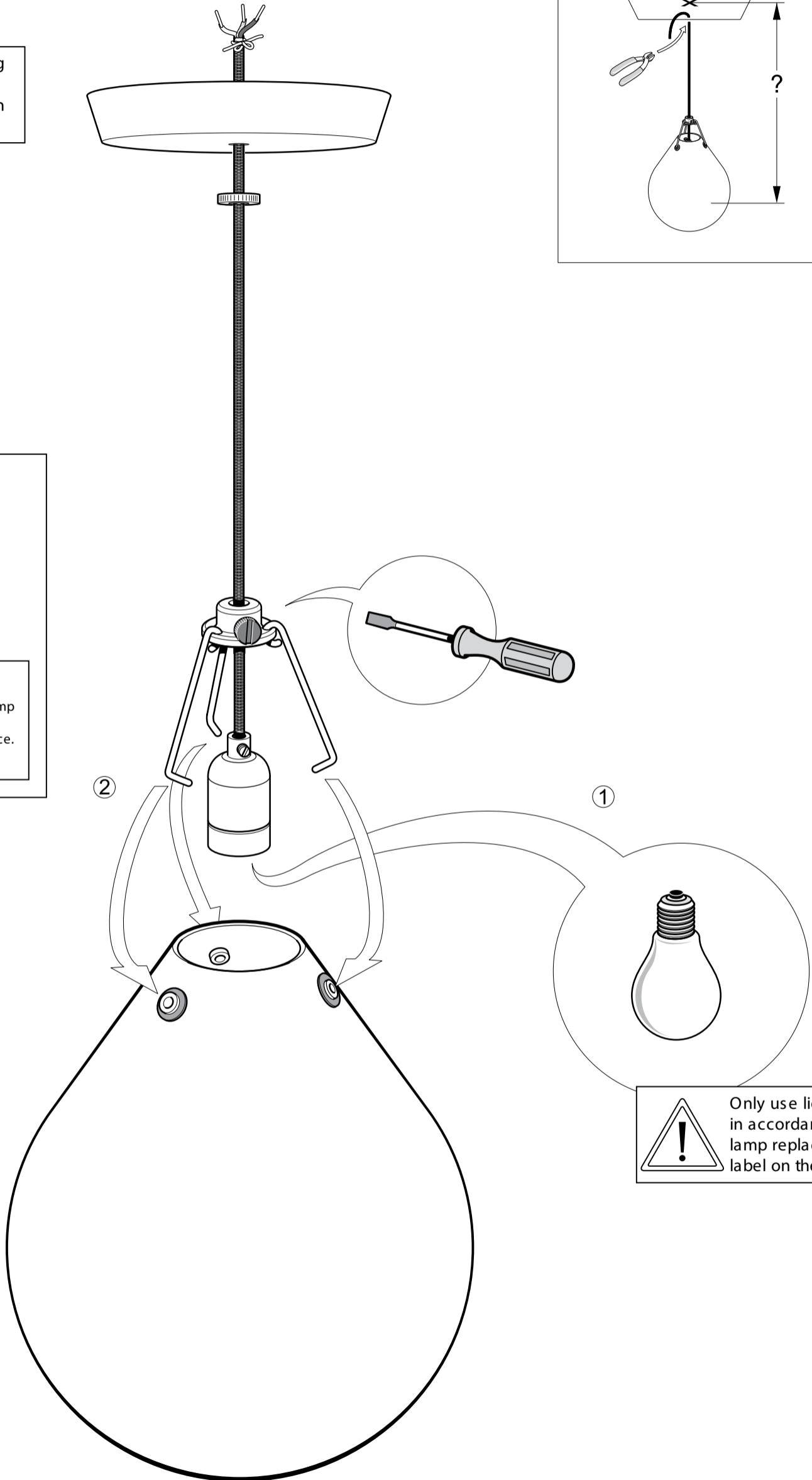
 See further mounting instructions in the manual supplied with the canopy




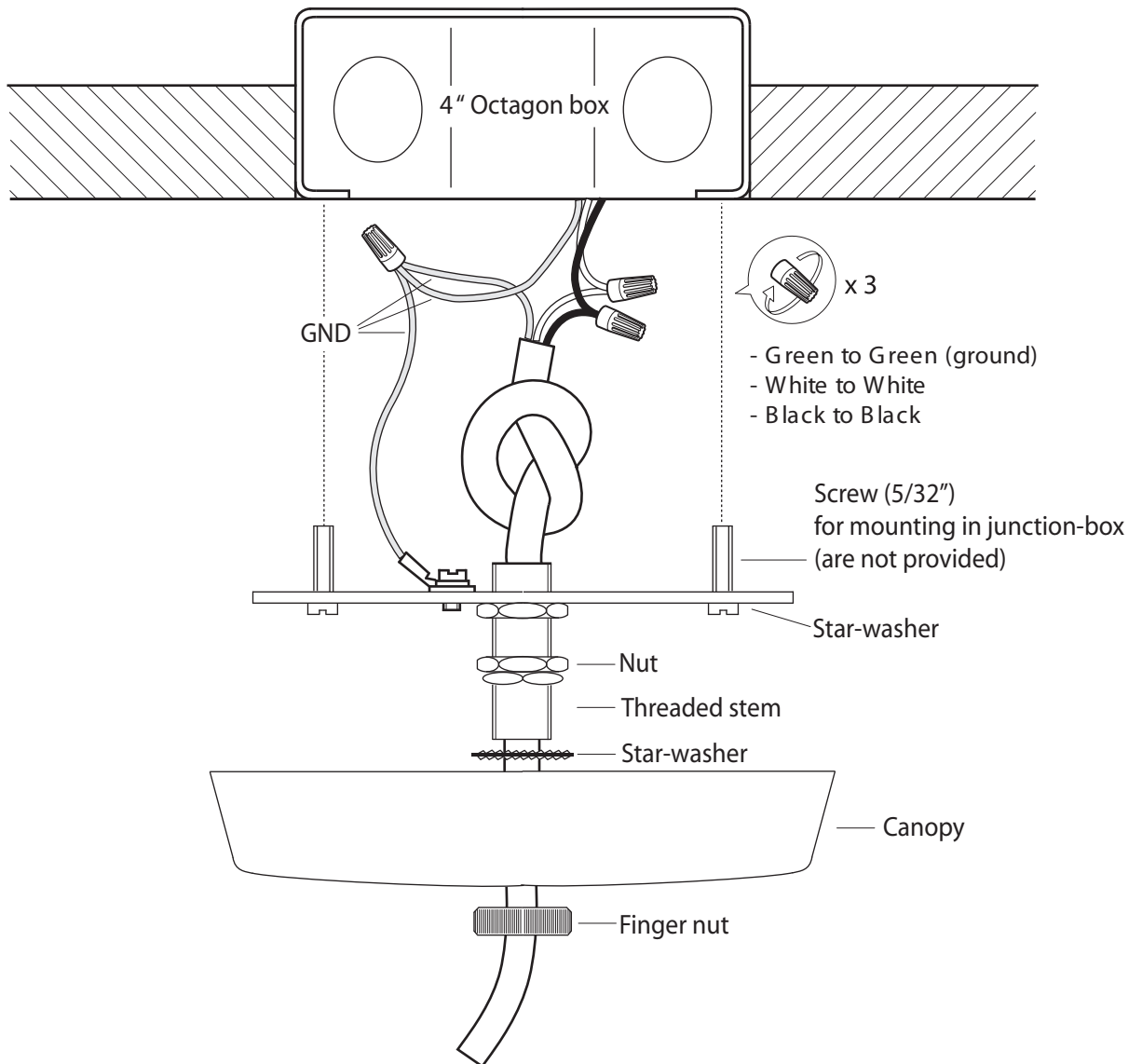


Lamp Replacement Label

The Installer must ensure that the lamp replacement label on the luminaire represents the appropriate light source.



 Only use light source in accordance to the lamp replacement label on the luminaire



- 1 Thread the wire 3x18 AWG cord through finger nut, canopy threaded stem with nut and star-washer
- 2 Adjust the length of the cord and tie a knot to relief
- 3 Connect in junction-box
- 4 Screw on the cross-bar
- 5 Adjust the nuts on the stem and tighten
- 6 Put on the star-washer and the canopy and finally tighten finger nut