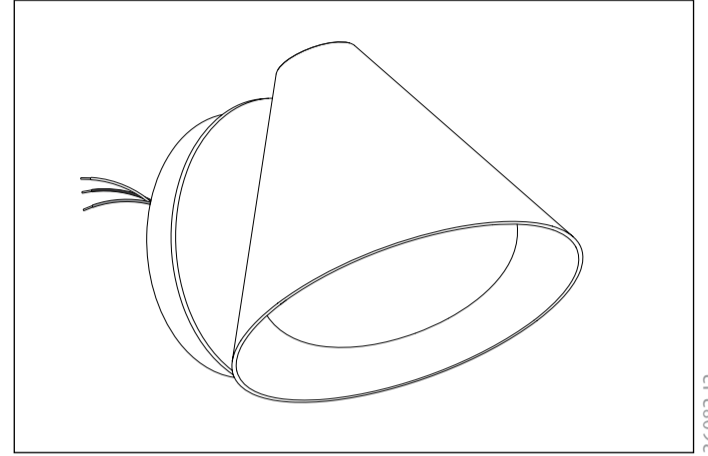
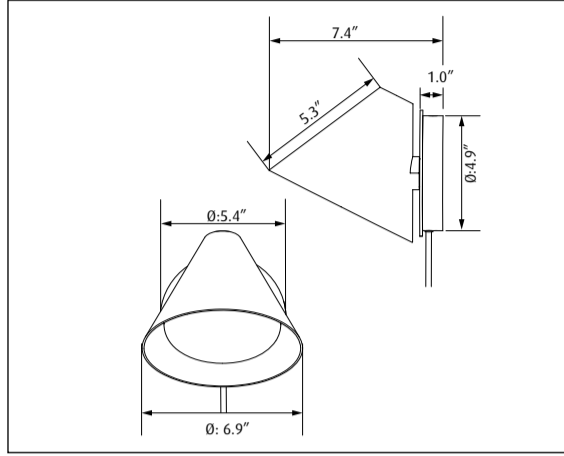


Keglen 175 Wall

Design BIG



36082-12

Light source	Voltage	Weight	Electric shock protection	Ingress protection
LED	AC100-240V, 50/60HZ	1.87 Lbs	Cl. II	IP20

Recommended cleaning substances:

Wipe off dust with a dry, soft cloth. Remove greasy spots etc. with a soft cloth dampened in lukewarm water (<122° F/ 50° C) with a mild detergent.

Never use detergents containing abrasives and solvents.

Specifically for brass surfaces:

To maintain the shine and the light colour, clean with brass polish once or twice a year.

Follow the product instructions.

Note: Polishes must not come into contact with the product's matt finished surfaces.

Warning: Scouring powder and similar substances will scratch surfaces.

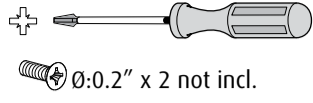
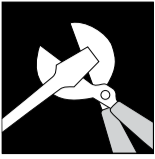
All installation is subject to local code and jurisdiction.

Consult a qualified electrician to ensure correct branch circuit conductor.

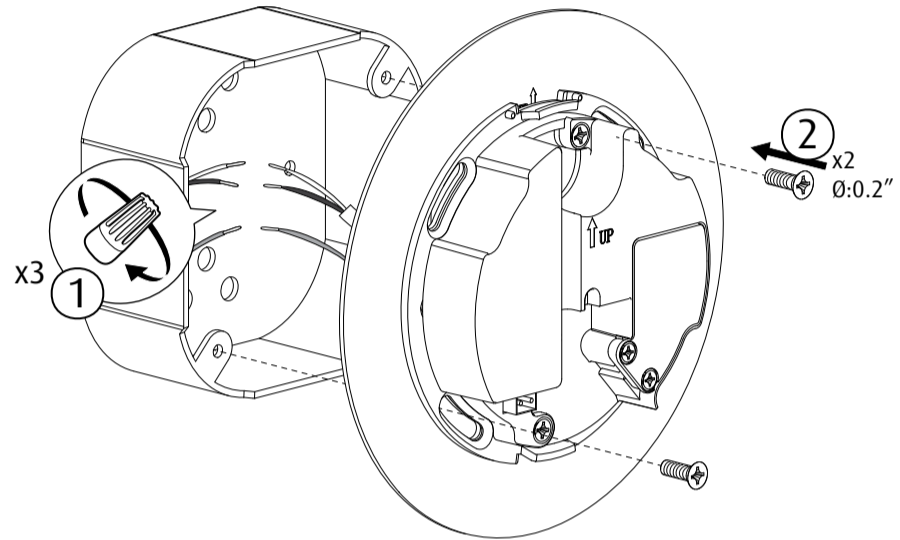
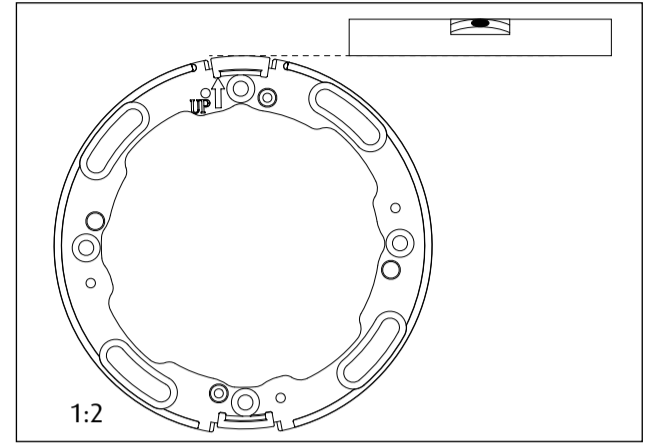
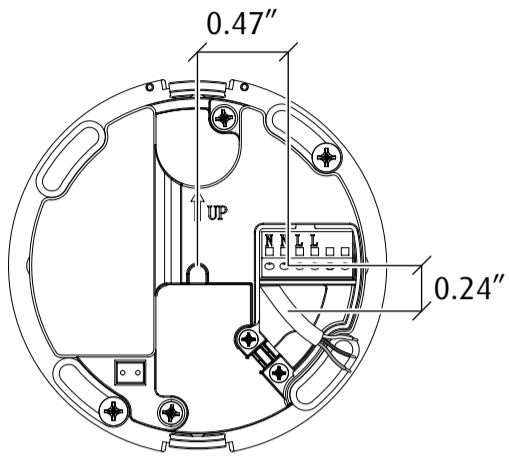
The installer must ensure that the ceiling can support the luminaire's weight. The installer must if necessary reinforce the ceiling structure by adequate means.



Due to possibility of personal injury or property damage, always contact a qualified electrician for servicing or repair of this fixture. To avoid risk of electrical shock, personal injury, or death, disconnect power to fixture before servicing.

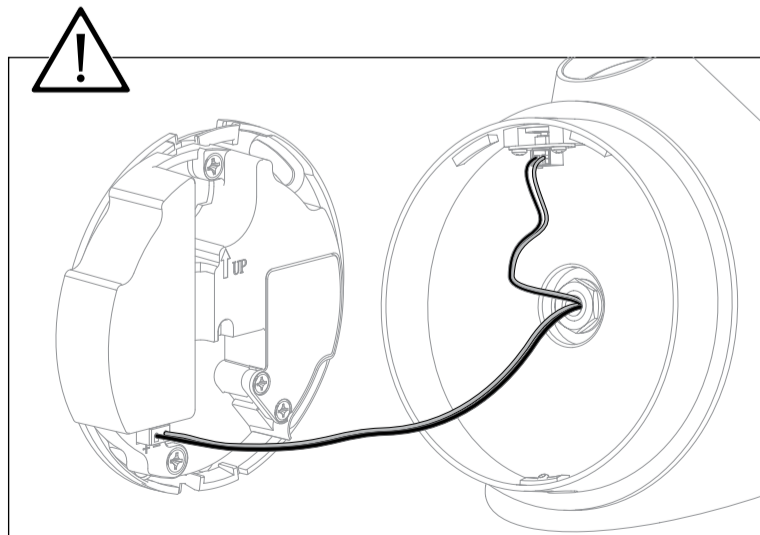
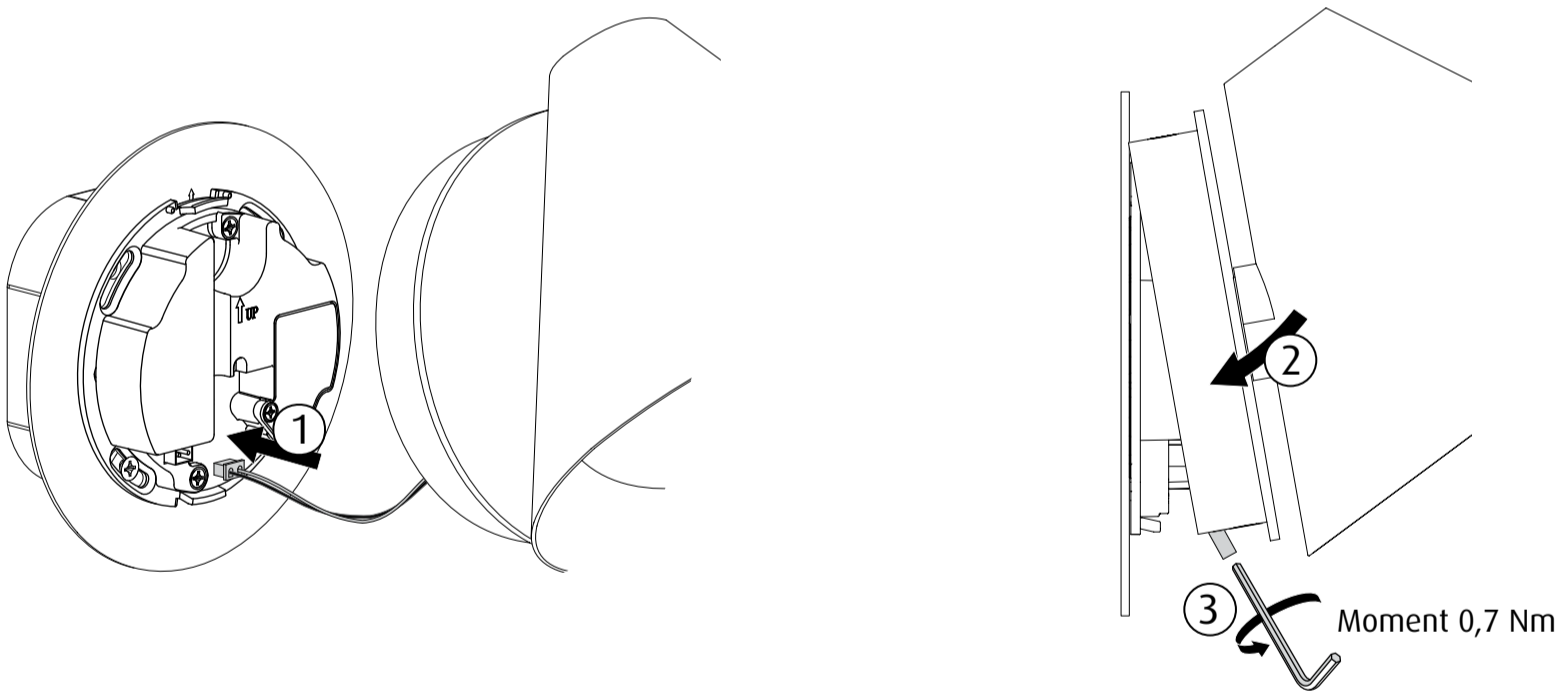


A

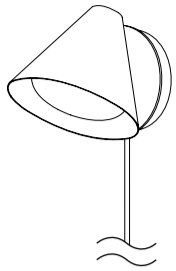


Connect wires:
 Green = Ground
 White = Neutral
 Black = Line Voltage

B

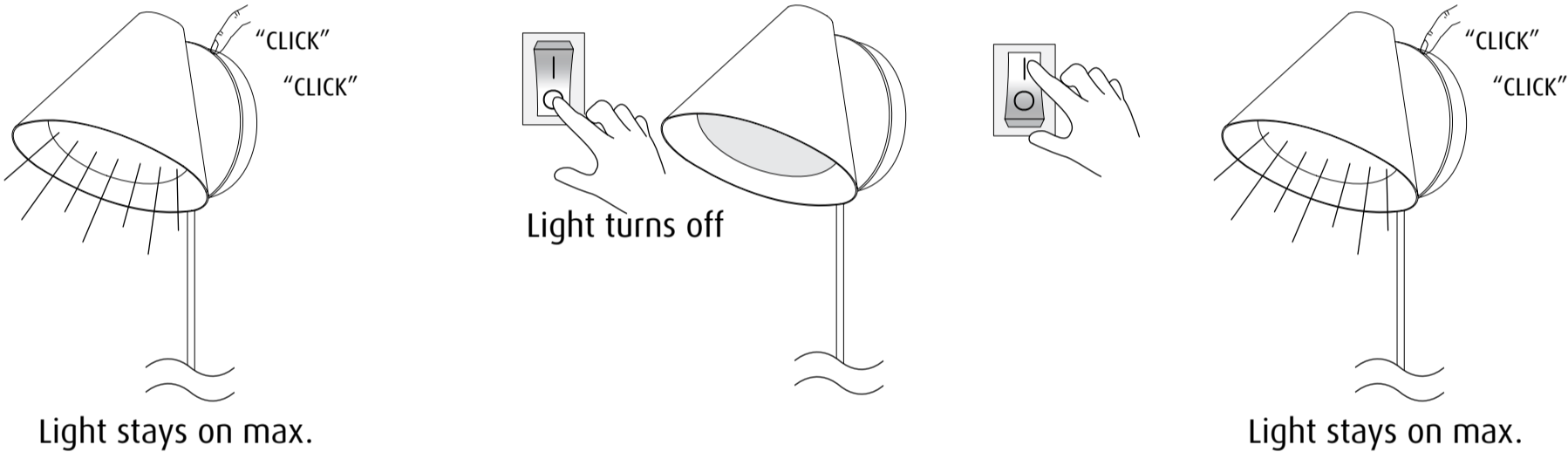
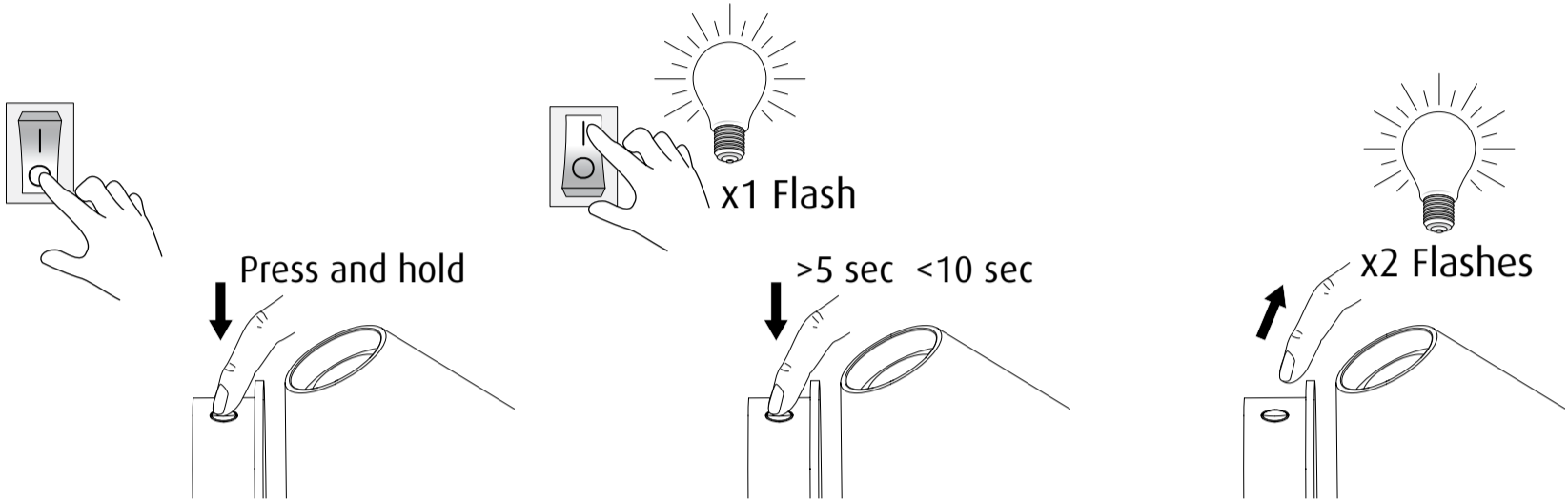


Keglen - Electronic Function



Deactivate the button:

①



Activate the button:

②

