

KEGLEN FLOOR

Designed by Big Ideas



Description

The floor lamp's distinctive conical shade has a built-in curved diffuser. This ensures an attractive and glare-free downwardly directed light. The stem morphs into the diffuser shade, folding inward and creating a beautiful organic geometry. A gentle light is also emitted upward through a discreet uniform opening in the top of the shade to create a perfect ambiance.

Variants

VARIANT NUMBER	COLOR, RAL	W / H / L (IN) / W (LB)
5744166784	WHT, T08	15.7 / 54.3 / 15.7 IN / 15.4 LB
5744166797	BLK, T09	15.7 / 54.3 / 15.7 IN / 15.4 LB
5744167945	BLK, T09	15.7 / 54.3 / 15.7 IN / 15.4 LB
5744167958	WHT, T08	15.7 / 54.3 / 15.7 IN / 15.4 LB

Materials & Finishes

MATERIALS

Shade: Spun aluminum. Diffusor: Injection-molded PC. Base: Die cast aluminum. Stem: Machined aluminum.

FINISHES

Black or white, matte, wet-painted.

Mounting

Cord type: White or black. Cord length: 10'. Switch: Button on the base. LED driver: Separate, plugs into power outlet. For mounting instructions, see download section on the product detail page.

Information

An integrated memory function ensures that the lamp will return to its latest adjusted lumen output when power has been removed and restored.

Electrical:

System Wattage: 9W

LED Wattage: 8W

Delivered lumens: 481 - 573

Efficacy: 57 lm/W - 67 lm/W (LED)

Certifications:

cULus, Dry Location

Protection class IP20

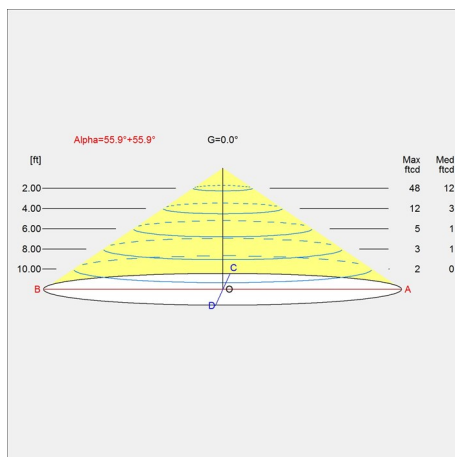
Controllability: Continuous dimming by integrated button switch.

Color Rendering: $Ra \geq 90$

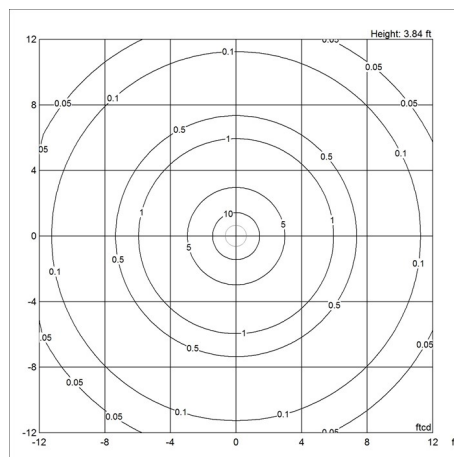
Dim-to-warm LED CCT: 2700K at 100%; 2000K at max dim. For the E-socket product variants, bulbs are not included. LED light source is part of the product.

Light distribution diagrams

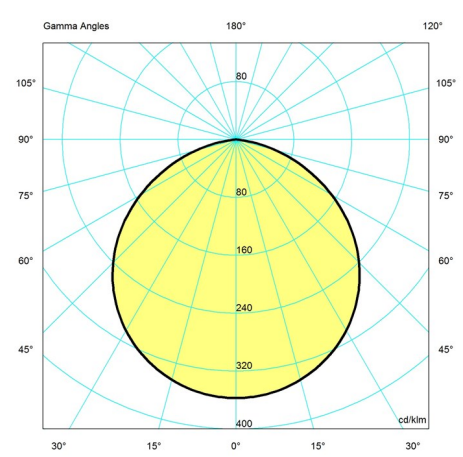
CARTESIAN



ISOLUX



POLAR



Variant Options

For particular variant options, please check our online Product Variants Configurator on the product detail page.

VARIANT NO.

LIGHT SOURCE

VOLTAGE/FRQ

LUMEN

FEATURES

CABLE

louis poulsen

5744166784	LED 2700-2000K D2W	541	-	Wht
5744166797	LED 2700-2000K D2W	481	-	Blk
5744167945	LED 3000K	509	-	Blk
5744167958	LED 3000K	573	-	Wht
