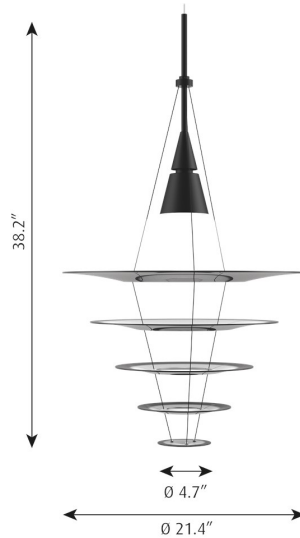


ENIGMA 545

Designed by Shoichi Uchiyama



Description

The fixture emits glare-free, soft, comfortable downward light. The shade design ensures even illumination of the surface. The matte upper surface diffuses the light, while the glossy lower surface ensures optimal reflection.

Variants

VARIANT NUMBER	COLOR, RAL	W / H / L (IN) / W (LB)
10000146256	BLK, 728	21.4 / 38.2 / 21.4 IN / 4.7 LB
10000146257	BLK, 369	21.4 / 38.2 / 21.4 IN / 4.7 LB

Materials & Finishes

MATERIALS

Cone and pendant tube: Lacquered or wet painted brushed aluminum. Wire: Stainless steel. Shades: Acrylic.

FINISHES

Brushed aluminum, clear coated or black wet painted. Shades: White or black acrylic.

louis poulsen

Mounting

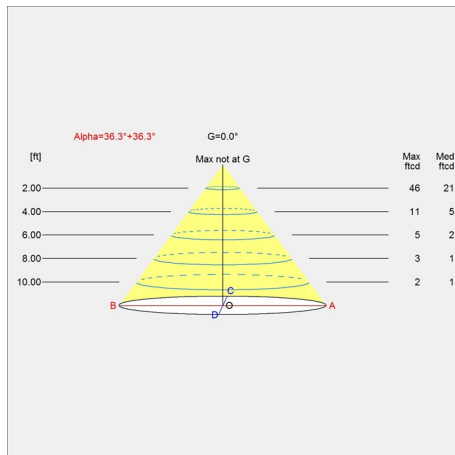
Canopy: White. Cord type: 3-conductor, 18 AWG white PVC power cord. Cord length: 12'.
For mounting instructions, see download section on the product detail page.

Information

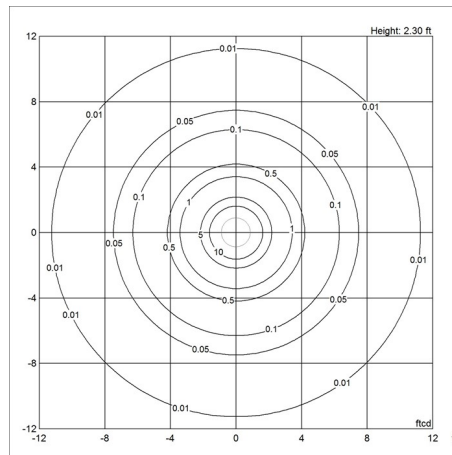
Electrical:
System Wattage: 8W
LED Wattage: 7 W
Delivered lumens: 341 - 487
Efficacy: 42.6 lm/W - 60.9 lm/W
Certifications:
cULus, Dry Location
Protection class IP20
Controllability: Phase dimming
Actual performance dependent upon screw-base lamp used. For the E-socket product variants, bulbs are not included. LED light source is part of the product.

Light distribution diagrams

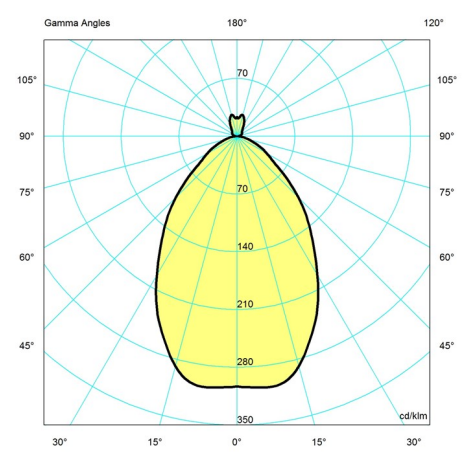
CARTESIAN



ISOLUX



POLAR



Variant Options

For particular variant options, please check our online Product Variants Configurator on the product detail page.

VARIANT NO.	LIGHT SOURCE	VOLTAGE/FRQ	LUMEN	FEATURES	CABLE
10000146256	1/50W/PAR16 GU10	120V	424	-	Wht
10000146257	1/50W/PAR16 GU10	120V	332	-	Blk