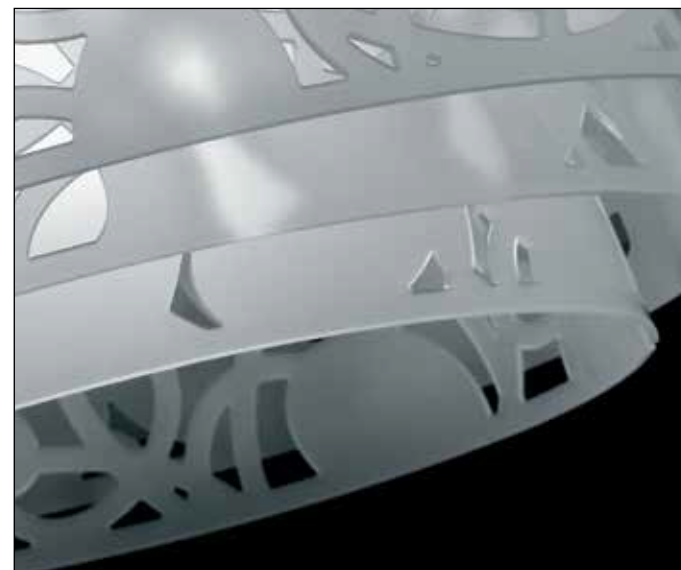
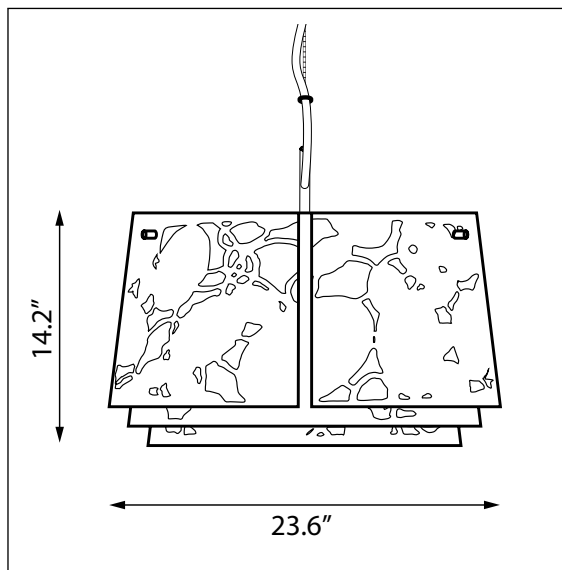



Collage 600 Pendant

Design Louise Campbell



18606-11

Light source	Voltage	Weight	Electric shock protection	Ingress protection
1/22W LED/A-21/ medium 	120V	11 Lbs	Cl. I	Dry Location

Recommended cleaning substances:

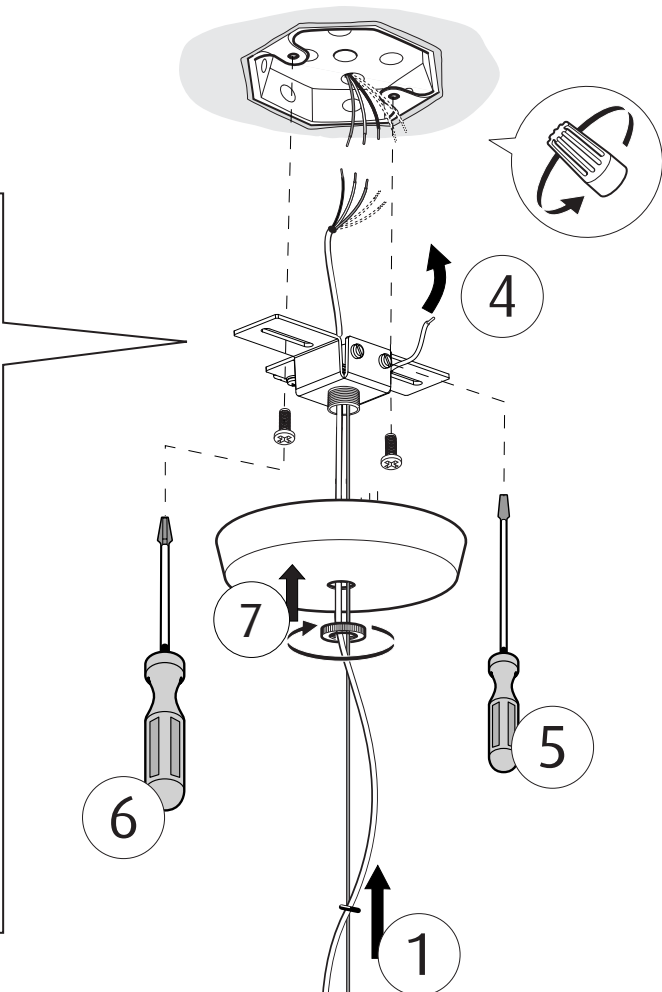
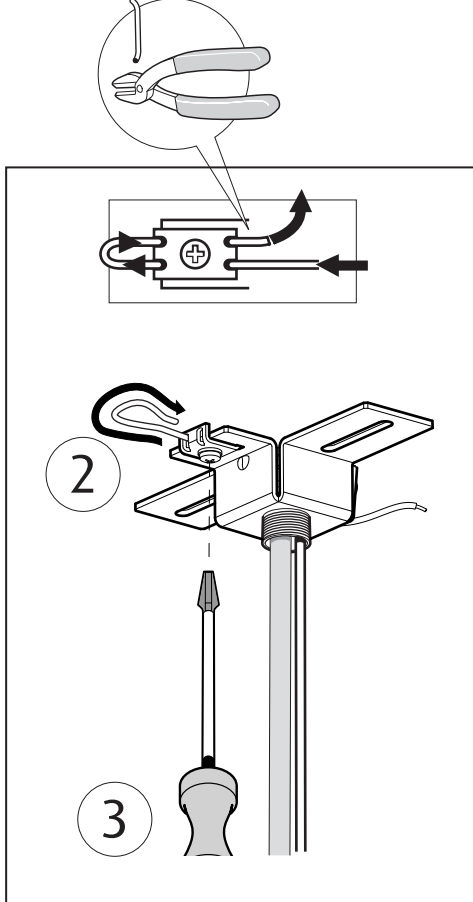
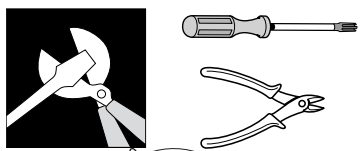
Wipe off dust with a dry, soft cloth. Remove greasy spots etc. with a soft cloth dampened in lukewarm water (<122° F/ 50° C) with a mild detergent.
Never use detergents containing abrasives and solvents.

Warning: Scouring powder and similar substances will scratch surfaces.

All installation is subject to local code and jurisdiction.
Consult a qualified electrician to ensure correct branch circuit conductor.
The installer must ensure that the ceiling can support the luminaire's weight. The installer must if necessary reinforce the ceiling structure by adequate means.



Louis Poulsen A/S disclaims any liability if a half mirror light bulb is used. This type of light source reflects the heat and may damage/melt parts of the fixture.



Fixture must be installed at least 3 feet from the ceiling to be serviceable

If longer cord is needed, please refer to extension kit mounting instruction

This canopy must be mounted to a standard junction box.
The installer must ensure that the ceiling can support the luminaire weight.
The installer must if necessary reinforce the ceiling structure by adequate means.

Adjust the position of the Rubber rings.
The installer must ensure that the weight of the luminaire, is carried by the steel cable, NOT the luminaire power supply cord.

