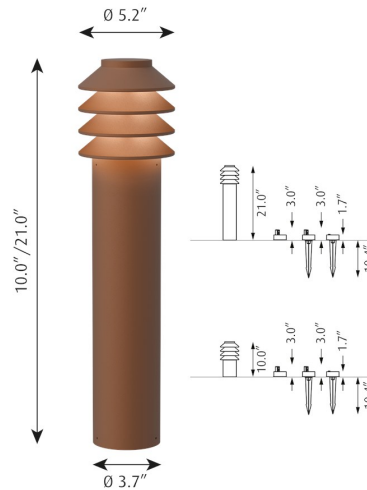


BYSTED GARDEN BOLLARD

Designed by Peter Bysted



Description

The fixture has a round symmetrical design with four rings reflecting the light in a soft downward direction. The rings have a soft glow while their white undersides achieve optimal light reflection and produce a characteristic symmetrical light pattern on the ground.

Variants

VARIANT NUMBER	COLOR, RAL	W / H / L (IN) / W (LB)
5747404508	CORTEN COLOR, 954	5.2 / 10 / 5.2 IN / 0.0 LB
5747404511	CORTEN COLOR, 954	5.2 / 10 / 5.2 IN / 6.2 LB
5747404524	CORTEN COLOR, 954	5.2 / 10 / 5.2 IN / 8.8 LB
5747404537	CORTEN COLOR, 954	5.2 / 10 / 5.2 IN / 8.8 LB
5747404566	CORTEN COLOR, 954	5.2 / 21 / 5.2 IN / 8.8 LB
5747404579	CORTEN COLOR, 954	5.2 / 21 / 5.2 IN / 8.8 LB
5747404582	CORTEN COLOR, 954	5.2 / 21 / 5.2 IN / 10.1 LB
5747404595	CORTEN COLOR, 954	5.2 / 21 / 5.2 IN / 10.1 LB
5747404809	NAT PAINT ALU, 162	5.2 / 10 / 5.2 IN / 6.2 LB
5747404812	NAT PAINT ALU, 162	5.2 / 10 / 5.2 IN / 6.2 LB
5747404825	NAT PAINT ALU, 162	5.2 / 10 / 5.2 IN / 6.2 LB
5747404838	NAT PAINT ALU, 162	5.2 / 10 / 5.2 IN / 8.8 LB
5747404841	NAT PAINT ALU, 162	5.2 / 10 / 5.2 IN / 8.8 LB
5747404854	NAT PAINT ALU, 162	5.2 / 10 / 5.2 IN / 8.8 LB
5747404896	NAT PAINT ALU, 162	5.2 / 21 / 5.2 IN / 8.8 LB
5747404906	NAT PAINT ALU, 162	5.2 / 21 / 5.2 IN / 8.8 LB
5747404919	NAT PAINT ALU, 162	5.2 / 21 / 5.2 IN / 8.8 LB
5747404922	NAT PAINT ALU, 162	5.2 / 21 / 5.2 IN / 10.1 LB

5747404935	NAT PAINT ALU, 162	5.2 / 21 / 5.2 IN / 10.1 LB
5747404948	NAT PAINT ALU, 162	5.2 / 21 / 5.2 IN / 10.1 LB
5747409493	BLK, 731	5.2 / 10 / 5.2 IN / 3.1 LB
5747409503	BLK, 731	5.2 / 10 / 5.2 IN / 3.1 LB
5747409516	BLK, 731	5.2 / 10 / 5.2 IN / 3.1 LB
5747409529	BLK, 731	5.2 / 10 / 5.2 IN / 4.4 LB
5747409532	BLK, 731	5.2 / 10 / 5.2 IN / 4.4 LB
5747409545	BLK, 731	5.2 / 10 / 5.2 IN / 4.4 LB
5747409558	BLK, 731	5.2 / 10 / 5.2 IN / 4.4 LB
5747409561	BLK, 731	5.2 / 10 / 5.2 IN / 4.4 LB
5747409574	BLK, 731	5.2 / 10 / 5.2 IN / 4.4 LB
5747409587	BLK, 731	5.2 / 21 / 5.2 IN / 4.4 LB
5747409590	BLK, 731	5.2 / 21 / 5.2 IN / 4.4 LB
5747409600	BLK, 731	5.2 / 21 / 5.2 IN / 4.4 LB
5747409613	BLK, 731	5.2 / 21 / 5.2 IN / 5.7 LB
5747409626	BLK, 731	5.2 / 21 / 5.2 IN / 5.7 LB
5747409639	BLK, 731	5.2 / 21 / 5.2 IN / 5.7 LB
5747409642	BLK, 731	5.2 / 21 / 5.2 IN / 5.7 LB
5747409655	BLK, 731	5.2 / 21 / 5.2 IN / 5.7 LB
5747409668	BLK, 731	5.2 / 21 / 5.2 IN / 5.7 LB

Materials & Finishes

MATERIALS

Top: Cast aluminum. Reflector part: Cast aluminum. Post: Extruded aluminum. Base plate, spike, and anchor: Cast aluminum. Diffuser: PC

FINISHES

Top: Cast aluminum. Reflector part: Cast aluminum. Post: Extruded aluminum. Base plate, spike, and anchor: Cast aluminum. Diffuser: PC

Mounting

The bollard requires a separate, 24V DC power supply.

Choice of 3 different mounting types.

Spike mounted bollard(Plug&Play): For use in soil or gravel; includes weather-proof cables and connectors for above-ground runs.

Anchor mounted bollard(certified electrician): for casting in new concrete pad.

Base mounted bollard(certified electrician): Includes baseplate for anchoring to decks and floors.

Anchor or Base mounted bollards: installation determined by certified electrician with below ground cabling and conduit. For mounting instructions, see download section on the product detail page.

Information

Electrical:

System Wattage: 14W

LED Wattage: 13W

Delivered lumens: 247 - 324 lm

Efficacy: 18 - 23 lm/W

Certifications: cULus, Wet Location

Protection class IP65

IK class 06

BUG Rating: B0-U2-G0

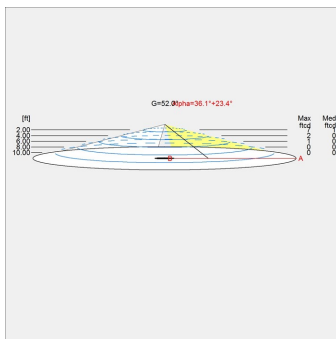
Color Rendering: Ra≥80

LED is non-dimming.

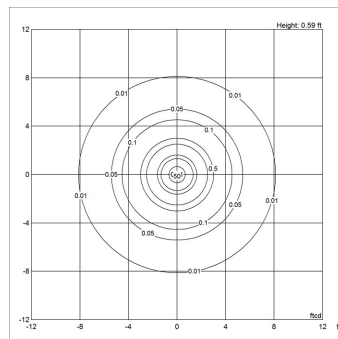
Low Voltage power supply 24VDC is remote mounted for multiple bollards per supply. Spike mounted bollards use provided weather-proof cables and connectors for above-ground runs. Plug and play. Anchor or Base mounted bollards: installation determined by certified electrician with below ground cabling and conduit. Consult factory for remote power supply information, maximum bollards and cable distances. For the E-socket product variants, bulbs are not included. LED light source is part of the product.

Light distribution diagrams

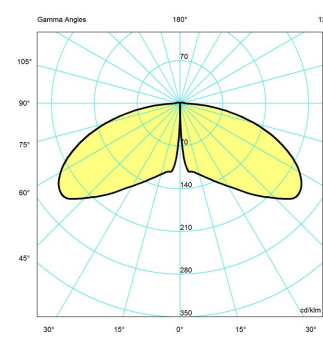
CARTESIAN



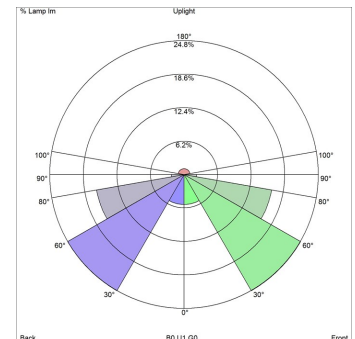
ISOLUX



POLAR



BUG



Variant Options

For particular variant options, please check our online Product Variants Configurator on the product detail page.

VARIANT NO.	LIGHT SOURCE	VOLTAGE/FRQ	LUMEN	FEATURES	CABLE
5747404508	LED 3000K	24V	259	-	-
5747404511	LED 2700K	24V	247	-	-
5747404524	LED 3000K	24V	259	-	-
5747404537	LED 2700K	24V	247	-	-
5747404566	LED 3000K	24V	259	-	-
5747404579	LED 2700K	24V	247	-	-
5747404582	LED 3000K	24V	259	-	-
5747404595	LED 2700K	24V	247	-	-
5747404809	LED 4000K	24V	324	-	-
5747404812	LED 3000K	24V	288	-	-
5747404825	LED 2700K	24V	275	-	-
5747404838	LED 4000K	24V	324	-	-
5747404841	LED 3000K	24V	288	-	-
5747404854	LED 2700K	24V	275	-	-
5747404896	LED 4000K	24V	324	-	-
5747404906	LED 3000K	24V	288	-	-
5747404919	LED 2700K	24V	275	-	-
5747404922	LED 4000K	24V	324	-	-

louis poulsen

5747404935	LED 3000K	24V	288	-	-
5747404948	LED 2700K	24V	275	-	-
5747409493	LED 4000K	24V		-	-
5747409503	LED 3000K	24V		-	-
5747409516	LED 2700K	24V		-	-
5747409529	LED 4000K	24V		-	-
5747409532	LED 3000K	24V		-	-
5747409545	LED 2700K	24V		-	-
5747409558	LED 4000K	24V		-	-
5747409561	LED 3000K	24V		-	-
5747409574	LED 2700K	24V		-	-
5747409587	LED 4000K	24V		-	-
5747409590	LED 3000K	24V		-	-
5747409600	LED 2700K	24V		-	-
5747409613	LED 4000K	24V		-	-
5747409626	LED 3000K	24V		-	-
5747409639	LED 2700K	24V		-	-
5747409642	LED 4000K	24V		-	-
5747409655	LED 3000K	24V		-	-
5747409668	LED 2700K	24V		-	-

Specification Notes

a. 4000K LED available only in Natural Paint Aluminum finish.