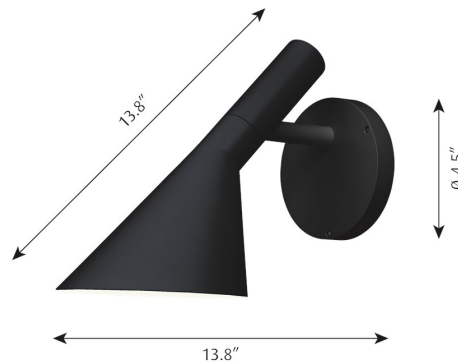


## AJ 50 WALL

Designed by Arne Jacobsen

---



---

### Description

The fixture emits downward directed light. The shade is painted white on the inside to ensure a soft comfortable light distribution.

---

### Variants

VARIANT NUMBER	COLOR, RAL	W / H / L (IN) / W (LB)
5743909544	BLK, 734	13.8 / 9.8 / - IN / 4.2 LB
5743909557	WHT, 044	13.8 / 9.8 / - IN / 4.4 LB
5743909560	NAT PAINT ALU, 162	13.8 / 9.8 / - IN / 4.2 LB

---

### Materials & Finishes

#### MATERIALS

Back plate: Die cast aluminum. Shade: Die cast aluminum. LED enclosure: frosted glass.

#### FINISHES

Black, white or natural painted aluminum, textured powder coated.

---

### Mounting

Surface: Mounted directly to finished surface over a 4" octagonal junction box. For mounting instructions, see download section on the product detail page.

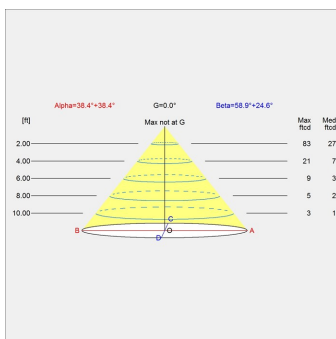
---

## Information

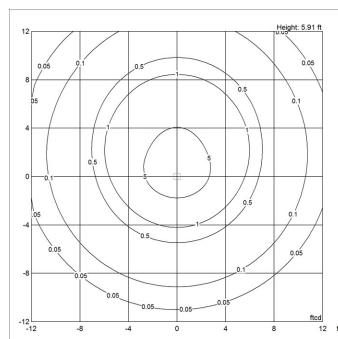
Electrical:  
 System Wattage: 9 W  
 LED Wattage: 8 W  
 Delivered lumens: 504 lm  
 Efficacy: 56.0 lm/W  
 Certifications:  
 cULus, Wet Location  
 Protection class IP65  
 IK class 06  
 BUG Rating: B0-U1-G0  
 Controllability: Phase dimming  
 Min.-Max. Ambient Temp: -30°C to +40°C  
 Color Rendering: Ra≥90 For the E-socket product variants, bulbs are not included. LED light source is part of the product.

## Light distribution diagrams

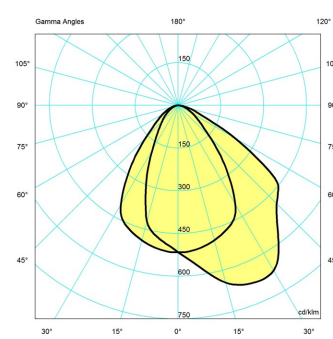
### CARTESIAN



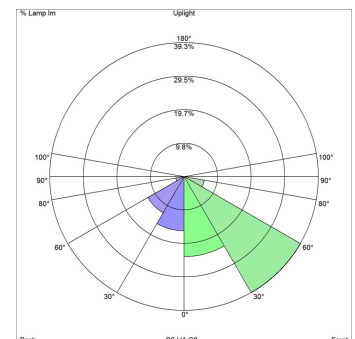
### ISOLUX



### POLAR



### BUG



## Variant Options

For particular variant options, please check our online Product Variants Configurator on the product detail page.

VARIANT NO.	LIGHT SOURCE	VOLTAGE/FRQ	LUMEN	FEATURES	CABLE
5743909544	LED 3000K (ra90)	120V	504	-	-
5743909557	LED 3000K (ra90)	120V	504	-	-
5743909560	LED 3000K (ra90)	120V	504	-	-