

AJ TABLE

Designed by Arne Jacobsen



Description

The fixture emits downward directed light. The angle of the shade can be adjusted to optimize light distribution. The shade is painted white on the inside to ensure a soft comfortable light.

Variants

VARIANT NUMBER	COLOR, RAL	W / H / L (IN) / W (LB)
5744905217	WHT, 024	- / 22 / 8.5 IN / 3.9 LB
5744905220	BLACK, 314	- / 22 / 8.5 IN / 3.9 LB
5744905301	PALE PETROLEUM, 447	- / 22 / 8.5 IN / 2.1 LB
5744909718	ELECTRIC ORANGE	- / - / - IN / 2.1 LB
5744909721	SOFT LEMON	- / - / - IN / 2.1 LB
5744909734	WARM SAND	- / - / - IN / 2.1 LB
5744909747	DUSTY BLUE	- / - / - IN / 2.1 LB
5744909750	WARM GREY	- / - / - IN / 2.1 LB
5744915061	STAINL STEEL POLISH, 957	- / 22 / 8.5 IN / 6.9 LB

Materials & Finishes

MATERIALS

Base: Die cast zinc. Shade: Spun steel. Stem: Steel.

FINISHES

louis poulsen

Dark green, dark grey, aubergine, light grey, midnight blue, pale petroleum, rusty red, yellow ochre, black or white, wet painted.

Mounting

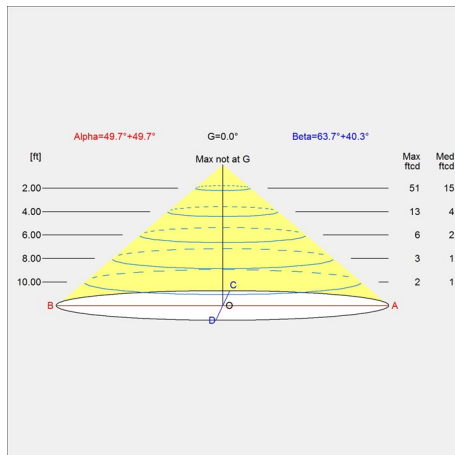
Cord type: White (White finish), black (non-white finish). Cord length: 10'. Switch: On/off switch on the base. For mounting instructions, see download section on the product detail page.

Information

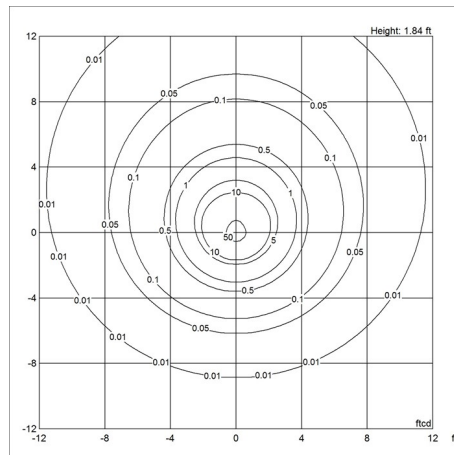
The white version is supplied with a white cable. The other versions are supplied with a black cable. For the E-socket product variants, bulbs are not included. LED light source is part of the product.

Light distribution diagrams

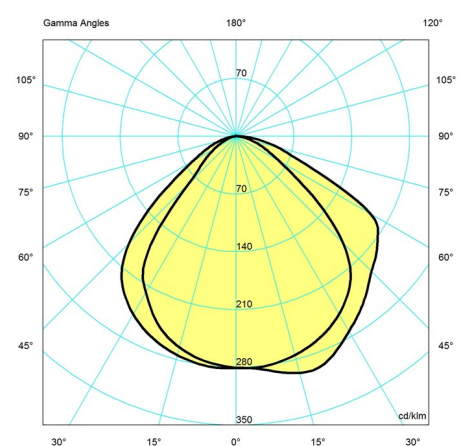
CARTESIAN



ISOLUX



POLAR



Variant Options

For particular variant options, please check our online Product Variants Configurator on the product detail page.

VARIANT NO.	LIGHT SOURCE	VOLTAGE/FRQ	LUMEN	FEATURES	CABLE
5744905217	A-19/medium	120V	506	-	Wht
5744905220	A-19/medium	120V	506	-	Blk
5744905301	A-19/medium	120V	506	-	Blk
5744909718	A-19/medium	120V	-	-	Wht
5744909721	A-19/medium	120V	-	-	Wht
5744909734	A-19/medium	120V	-	-	Wht
5744909747	A-19/medium	120V	-	-	Blk
5744909750	A-19/medium	120V	-	-	Blk
5744915061	A-19/medium	120V	506	-	Blk

