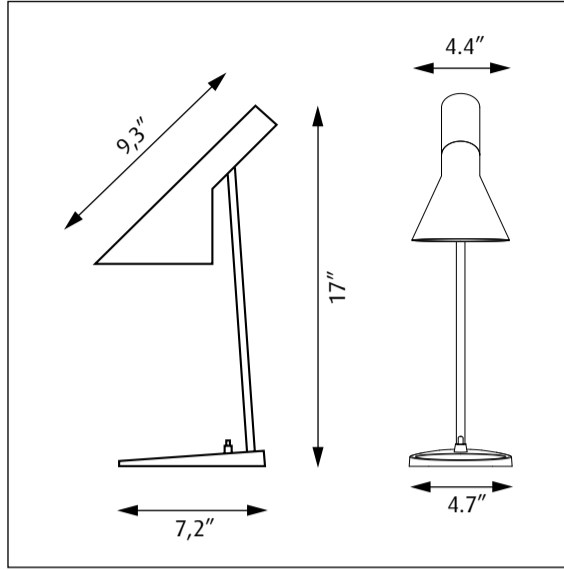



AJ Table Mini



24043-11

Light source	Voltage	Weight	Electric shock protection	Ingress protection
1/15W LED/A-19/ medium 	120V	2,7 Lbs	Cl. I	IP 20, Dry location

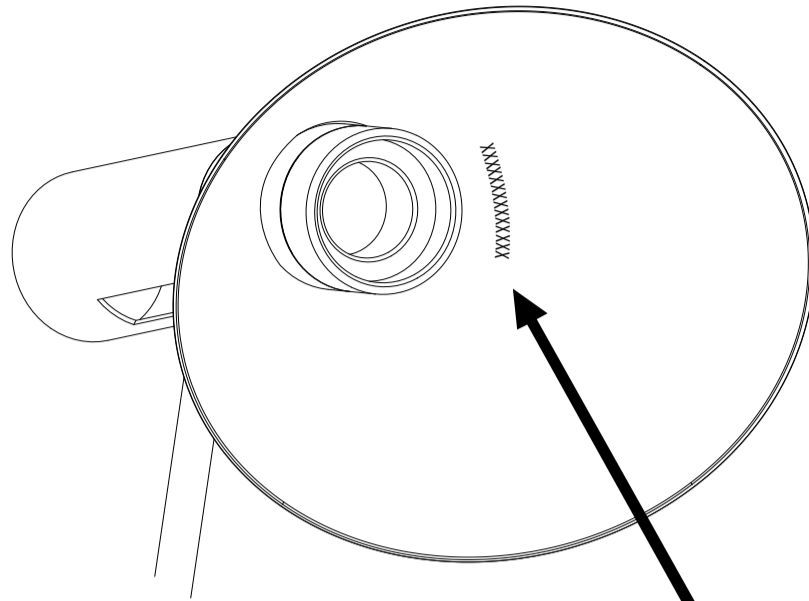
Recommended cleaning substances:
Wipe off dust with a dry, soft cloth. Remove greasy spots etc. with a soft cloth dampened in lukewarm water (<122° F/ 50° C) with a mild detergent.
Never use detergents containing abrasives and solvents.

Warning: Scouring powder and similar substances will scratch surfaces.

All installation is subject to local code and jurisdiction.



Louis Poulsen A/S disclaims any liability if a half mirror light bulb is used. This type of light source reflects the heat and may damage/melt parts of the fixture.



! ID NUMBER: _____
Please register ID number at
www.louispoulsen.com

