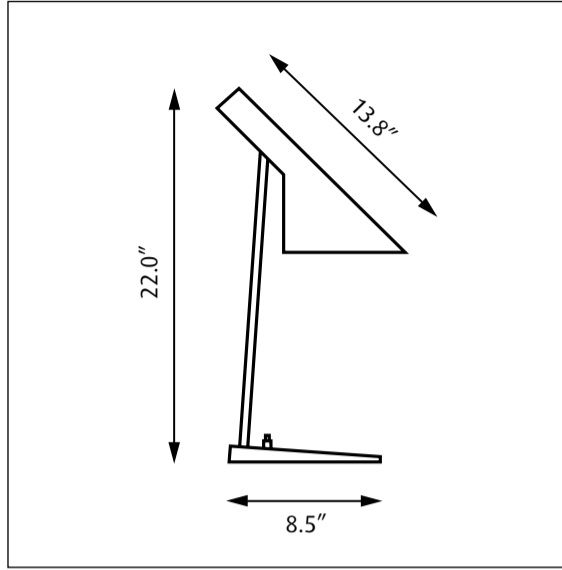



Design Arne Jacobsen



24080-11

Light source	Voltage	Weight	Electric shock protection	Ingress protection
<b>1/15W LED/A-19/ medium</b> 	<b>120V</b>	<b>6.0 Lbs</b>	<b>Cl. I</b>	<b>IP 20, Dry location</b>

**Recommended cleaning substances:**

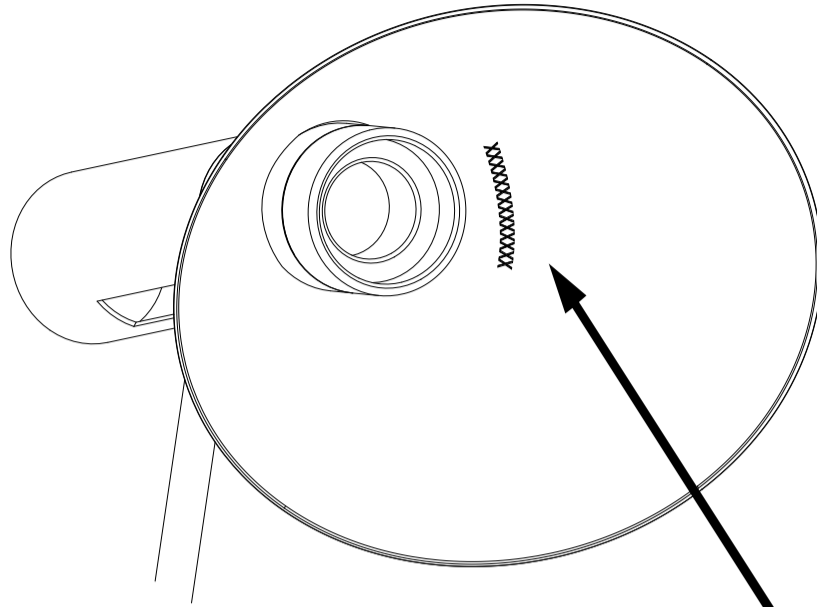
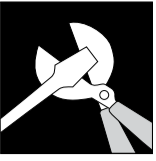
Wipe off dust with a dry, soft cloth. Remove greasy spots etc. with a soft cloth dampened in lukewarm water (<122° F/ 50° C) with a mild detergent.  
Never use detergents containing abrasives and solvents.

Warning: Scouring powder and similar substances will scratch surfaces.

All installation is subject to local code and jurisdiction.



Louis Poulsen A/S disclaims any liability if a half mirror light bulb is used. This type of light source reflects the heat and may damage/melt parts of the fixture.



! ID NUMBER: \_\_\_\_\_  
Please register ID number at  
[www.louispoulsen.com](http://www.louispoulsen.com)

